

**\*ARMY TM 9-6115-645-10  
AIR FORCE TO 35C2-3-444-11  
MARINE CORPS TM 09244A/09245A-10/1A**

---

**TECHNICAL MANUAL**

**OPERATOR'S MANUAL**

**FOR**

**GENERATOR SET, SKID MOUNTED, TACTICAL QUIET,  
60 kW, 50/60 Hz  
MEP-806A**

**(NSN: 6115-01-274-7390) (EIC: VG7)**

**GENERATOR SET, SKID MOUNTED, TACTICAL QUIET,  
60 kW, 400 Hz  
MEP-816A**

**(NSN: 6115-01-274-7395) (EIC: VN6)**

**\*SUPERSEDURE NOTICE** - This manual supersedes TM 9-6115-645-10, TO 35C2-3-444-11, & TM 09244A/09245A-10/1 dated 30 July 1993. Date of issue for the revised manual is: 15 March 2010.

**DISTRIBUTION STATEMENT A** - Approved for public release; distribution is unlimited.

---

**HEADQUARTERS, DEPARTMENTS OF THE ARMY, AIR  
FORCE AND HEADQUARTERS, U.S. MARINE CORPS**

**15 MARCH 2010**

**PCN: 184 092441 00**



---

## WARNING SUMMARY

### FIRST AID

For First Aid information, refer to FM 4-25.11.



**5**

5 SAFETY STEPS TO FOLLOW IF SOMEONE IS THE VICTIM OF ELECTRICAL SHOCK:

**1**

DO NOT TRY TO PULL OR GRAB THE INDIVIDUAL.

**2**

IF POSSIBLE, TURN OFF THE ELECTRICAL POWER.

**3**

IF YOU CANNOT TURN OFF THE ELECTRICAL POWER, PULL, PUSH OR LIFT THE PERSON TO SAFETY USING A DRY WOODEN POLE OR A DRY ROPE OR SOME OTHER INSULATING MATERIAL.

**4**

SEND FOR HELP AS SOON AS POSSIBLE.

**5**

AFTER THE INJURED PERSON IS FREE OF CONTACT WITH THE SOURCE OF ELECTRICAL SHOCK, MOVE THE PERSON A SHORT DISTANCE AWAY AND IMMEDIATELY START ARTIFICIAL RESUSCITATION.

---

## WARNING SUMMARY - Continued

### WARNING AND CAUTION STATEMENTS

Warning and Caution statements have been strategically placed throughout this text prior to operating procedures, practices, or conditions considered essential to the protection of personnel (WARNING) or equipment and property (CAUTION).

A WARNING or CAUTION will apply each time the related step is repeated. Prior to starting any task the WARNINGS or CAUTIONS included in the text for that task must be reviewed and understood. Refer to the materials list at the beginning of the appropriate manual section for materials used during maintenance of this equipment. This warning summary contains the WARNINGS and CAUTIONS included in the manual. The detailed warnings for hazardous materials only are listed separately in the warning summary as the "Hazardous Materials Warnings" section.

### WARNING

All metal jewelry can conduct electricity and become entangled in generator set components. Remove all jewelry when working on generator set. Failure to comply with this warning can cause injury or death to personnel.

### WARNING



High voltage is produced when this generator set is in operation. Ensure engine control and DEAD CRANK switches are set to OFF, negative battery cable is disconnected, and unit is completely shut down and free of any power source before attempting any troubleshooting or maintenance on unit. Failure to comply may cause injury or death to personnel.

### WARNING

Shut down generator set before performing inspection of wiring. Failure to comply with this warning can cause injury or death to personnel.

### WARNING



High voltage is produced when generator set is in operation. Never attempt to start the generator set unless it is properly grounded. Do not ground yourself in standing water. Never attempt to connect or disconnect load cables while the generator set is running. Failure to comply may cause injury or death to personnel.

### WARNING

Ensure nuts on ground terminals are properly secured creating a good ground. Failure to comply with this warning can cause injury or death to personnel.

### WARNING

High voltage is produced when the generator set is in operation. DO NOT touch live voltage connections. Never attempt to connect or disconnect load cables or paralleling cables while the generator set is running. Failure to comply with this warning can cause injury or death to personnel.

### WARNING

Dangerous voltage exists on live circuits. Always observe precautions and never work alone. Failure to comply with this warning can cause injury or death to personnel.

### WARNING

If it is necessary to move a generator set which has been operating in parallel with another generator set, shut down remaining generator set connected to the load, prior to removing load and ground cables. Failure to comply with this warning can cause injury or death to personnel.

## **WARNING SUMMARY - Continued**

### **WARNING**

Power is available when the main contactor is open. Avoid accidental contact. Failure to comply with this warning can cause injury or death to personnel.

### **WARNING**

Diesel fuel is flammable and toxic to eyes, skin, and respiratory tract. Skin and eye protection are required when working in contact with diesel fuel. Avoid repeated or prolonged contact. Provide adequate ventilation. Operators are to wash exposed skin and change chemical soaked clothing promptly if exposed to fuel. Failure to comply with this warning can cause injury or death to personnel.

### **WARNING**

Fuels used in the generator set are flammable. Do not smoke or use open flames when performing maintenance. Failure to comply with this warning can cause injury or death to personnel, and damage to the generator set.

### **WARNING**

Fuels used in the generator set are flammable. When filling the fuel tank, maintain metal-to-metal contact between filler nozzle and fuel tank opening to eliminate static electrical discharge. Failure to comply with this warning can cause injury or death to personnel, and damage to the generator set.

### **WARNING**

Hot engine surfaces from the engine and generator circuitry are possible sources of ignition. When hot refueling with DF-1, DF-2, JP5 or JP8, avoid fuel splash and fuel spill. Do not smoke or use open flame when performing refueling. Remember PMCS is still required. Failure to comply with this warning can cause injury or death to personnel, and damage to the generator set.

### **WARNING**

Cooling system operates at high temperatures and pressure. Contact with high pressure steam and/or liquids can result in burns and scalding. Shut down generator set, and allow system to cool before performing checks, services and maintenance, or wear gloves and additional protective clothing and goggles as required. Failure to comply with this warning can cause injury or death to personnel.

### **WARNING**

Operating the generator set exposes personnel to a high noise level. Hearing protection must be worn when operating or working near the generator set when the generator set is running. Failure to comply with this warning can cause hearing damage to personnel.

### **WARNING**

Exhaust discharge contains deadly gases including carbon monoxide. DO NOT operate generator set in enclosed areas unless exhaust discharge is properly vented outside. Failure to comply with this warning can cause injury or death to personnel.

### **WARNING**

Top housing panels and exhaust system can get very hot. Shut down generator set, and allow system to cool before performing checks, services and maintenance. Failure to comply with this warning can cause severe burns and injury to personnel.

**WARNING SUMMARY - Continued**  
**WARNING**

Top housing panels and exhaust system can get very hot. When performing DURING PMCS, wear gloves and additional protective clothing as required. Failure to comply with this warning can cause severe burns and injury to personnel.

**WARNING**

Exercise extreme caution when performing DURING PMCS checks inside engine compartment. Avoid contact with moving or hot engine parts. Failure to comply with this warning can cause injury or death to personnel.

**WARNING**

When running, winterization heater has hot metal surfaces that will burn flesh on contact. Shut down generator set and allow heater to cool before performing maintenance. Wear gloves and additional protective clothing as required. Failure to comply with this warning can cause injury or death to personnel.

**WARNING**

Battery acid can cause burns to unprotected skin. Wear safety goggles and chemical gloves and avoid acid splash while working on batteries. Failure to comply with this warning can cause injury to personnel.

**WARNING**

Solvent used to clean parts is potentially dangerous to personnel and property. Clean parts in a well-ventilated area. Avoid inhalation of solvent fumes. Wear goggles and rubber gloves to protect eyes and skin. Wash exposed skin thoroughly. Do not smoke or use near open flame or excessive heat. Failure to comply with this warning can cause injury to personnel, and damage to the equipment.

**WARNING**

Jumper will not be removed unless the equipment being powered specifically requires an isolated ground (floating ground). Failure to comply with this warning can cause injury or death to personnel.

**LIST OF EFFECTIVE PAGES / WORK PACKAGES**

**NOTE:** This manual supersedes TM 9-6115-645-10, TO 35C2-3-444-11, & TM 09244A/09245A-10/1 dated 30 July 1993. Date of issue for the revised manual is: 15 March 2010. Zero in the "Change No." column indicates an original page or work package.

Date of issue for revision is:

**Revision 15 MARCH 2010**

**TOTAL NUMBER OF PAGES FOR FRONT AND REAR MATTER IS 34 AND TOTAL NUMBER OF WORK PACKAGES IS 29, CONSISTING OF THE FOLLOWING:**

<b>Page / WP No.</b>	<b>Change No.</b>	<b>Page / WP No.</b>	<b>Change No.</b>
Front Cover	0	WP 0025 (4 pgs)	0
Blank	0	WP 0026 (2 pgs)	0
Warning summary (4 pgs)	0	WP 0027 (4 pgs)	0
i - ix	0	WP 0028 (2 pgs)	0
Chp 1 title page	0	WP 0029 (2 pgs)	0
Chp 1 Index	0	INDEX-1 - INDEX-6	0
WP 0001 (4 pgs)	0	Inside back cover	0
WP 0002 (8 pgs)	0	Back cover	0
WP 0003 (8 pgs)	0		
Chp 2 title page	0		
Chp 2 Index	0		
WP 0004 (6 pgs)	0		
WP 0005 (20 pgs)	0		
WP 0006 (4 pgs)	0		
WP 0007 (2 pgs)	0		
Chp 3 title page	0		
Chp 3 Index	0		
WP 0008 (2 pgs)	0		
WP 0009 (10 pgs)	0		
Chp 4 title page	0		
Chp 4 Index	0		
WP 0010 (4 pgs)	0		
WP 0011 (8 pgs)	0		
WP 0012 (2 pgs)	0		
WP 0013 (2 pgs)	0		
WP 0014 (2 pgs)	0		
WP 0015 (2 pgs)	0		
WP 0016 (2 pgs)	0		
WP 0017 (2 pgs)	0		
WP 0018 (2 pgs)	0		
WP 0019 (2 pgs)	0		
Chp 5 title page	0		
Chp 5 Index	0		
WP 0020 (2 pgs)	0		
WP 0021 (6 pgs)	0		
WP 0022 (2 pgs)	0		
WP 0023 (2 pgs)	0		
Chp 6 title page	0		
Chp 6 Index	0		
WP 0024 (2 pgs)	0		





**TECHNICAL MANUAL**

**OPERATOR'S MANUAL**

**GENERATOR SET, SKID MOUNTED, TACTICAL QUIET,  
60 kW, 50/60 Hz  
MEP-806A  
(NSN: 6115-01-274-7390) (EIC: VG7)**

**GENERATOR SET, SKID MOUNTED, TACTICAL QUIET,  
60 kW, 400 Hz  
MEP-816A  
(NSN: 6115-01-274-7395) (EIC: VN6)**

**REPORTING ERRORS AND RECOMMENDING IMPROVEMENTS**

You can help improve this manual. If you find any mistakes or if you know of a way to improve the procedures, please let us know. Reports, as applicable by the requiring Service, should be submitted as follows:

- (a) (A) Army - Mail your letter or DA Form 2028 (Recommended Changes to Publications and Blank Forms), located in the back of this manual, directly to: Commander, U.S. Army CECOM (LCMC) and Fort Monmouth, ATTN: AMSEL-LC-LEO-E-CM, Fort Monmouth, NJ 07703-5006. You may also send in your recommended changes via electronic mail or by fax. Our fax number is 732-532-3421, DSN 992-3421. Our e-mail address is [MONM-AMSELLEOPUBSCHG@conus.army.mil](mailto:MONM-AMSELLEOPUBSCHG@conus.army.mil). Our online web address for entering and submitting DA Form 2028s is <http://edm.monmouth.army.mil/pubs/2028.html>.
- (b) (B) Marine Corps - Submit notice of discrepancies or suggest changes on a NAVMC 10772 The NAVMC may be submitted via the Internet using website <https://www.ala.usmc.mil>, click on Publications, Technical Publications, follow the instructions, and then click on the NAVMC 10772. it may also be submitted by electronic mail to [smb.log.tech.pubs.fct@usmc.mil](mailto:smb.log.tech.pubs.fct@usmc.mil), or by mailing a paper copy NAVMC 10772 in an envelope addressed to Commander, Marine Corps systems Command, ATTN. Assistant Commander Acquisition and Logistics (AC LCL/TP), 814 Radford Blvd, suite 20343, Albany, Georgia 31704-0343. In addition, forward an information copy to the Project Officer at the following address: Commander, Marine Corps Systems Command (GTES-EPS), 2200 Lester Street, Quantico, VA. 22134-6050
- (c) (C) Air Force - By Air Force AFTO Form 22 (Technical Manual (TM) change Recommendation and Reply) in accordance with paragraph 6-5, Section VI, TO 00 5 1 directly to prime ALC/MST.

A reply will be furnished to you.

**\*SUPERSEDEURE NOTICE** - This manual supersedes TM 9-6115-645-10, TO 35C2-3-444-11, & TM 09244A/09245A-10/1 dated 30 July 1993. Date of issue for the revised manual is: 15 March 2010.

**DISTRIBUTION STATEMENT A** - Approved for public release; distribution is unlimited.

---

**TABLE OF CONTENTS**

	<b>Page No.</b>
	<b><u>WP Sequence No.</u></b>
How to Use This Manual	
Chapter 1 - General Information, Equipment Description and Theory of Operation	
General Information .....	WP 0001
Scope .....	0001-1
Model Numbers and Equipment Names.....	0001-1
Purpose of Equipment.....	0001-1
Figure 1. Generator Set, 60 kW, Tactical Quiet.....	0001-2
Maintenance Forms, Records, and Reports.....	0001-2
Reporting Equipment Improvement Recommendation (EIR) .....	0001-3
Corrosion Prevention and Control (CPC) .....	0001-3
Destruction of Army Materiel to Prevent Enemy Use .....	0001-3
Preparation for Storage or Shipment.....	0001-3
Warranty Information .....	0001-3
List of Abbreviations/Acronyms .....	0001-3
Equipment Description and Data .....	WP 0002
Equipment Description .....	0002-1
Location and Description of Major Components.....	0002-1
Figure 1. Generator Set Components .....	0002-2
Equipment Differences .....	0002-4
Equipment Data.....	0002-4
Table 1. Leading Particulars.....	0002-4
Theory of Operation .....	WP 0003
Engine Starting System .....	0003-1
Figure 1. Engine Starting System.....	0003-2
Fuel System.....	0003-3
Figure 2. Fuel System .....	0003-3
Engine Cooling System .....	0003-4
Figure 3. Engine Cooling System .....	0003-4
Lubrication System .....	0003-5
Figure 4. Engine Lubrication System.....	0003-5
Air Intake and Exhaust System .....	0003-6
Figure 5. Air Intake and Exhaust System .....	0003-6
Output Supply System.....	0003-6
Figure 6. Output Supply System.....	0003-7
Winterization Kit.....	0003-8
Chapter 2 - Operator Instructions	
Description and Use of Operator Controls and Indicators .....	WP 0004
Figure 1. Control Panel/Controls Bracket Assembly .....	0004-2
Table 1. Control Panel Controls and Indicators.....	0004-3
Figure 2. Malfunction Indicator Panel .....	0004-5
Table 2. Malfunction Indicator Panel.....	0004-6
Operation Under Usual Conditions .....	WP 0005

**TABLE OF CONTENTS - Continued**

	<b>Page No.</b>
	<b><u>WP Sequence No.</u></b>
Assembly and Preparation for Use.....	0005-1
Installation of Ground Rod.....	0005-1
Figure 1. Grounding Connections.....	0005-2
Installation of Load Cables.....	0005-3
Table 1. Load Terminal, AC Reconnection Board and VM-AM Transfer Switch Selection.....	0005-3
Figure 2. Installation of Load Cables.....	0005-4
Daily Checks.....	0005-5
Initial Adjustments.....	0005-5
Self Test.....	0005-5
Operating Procedures.....	0005-5
Starting Procedure.....	0005-6
Stopping Procedure.....	0005-7
Parallel Unit Operation (load Sharing).....	0005-7
Figure 3. Parallel Operation Setup.....	0005-8
Pre-operation.....	0005-8
Operation.....	0005-9
Removal From Parallel Operation.....	0005-10
Decals and Instruction Plates.....	0005-10
Figure 4. Operating Instructions Plates (Front and Right Side).....	0005-11
Figure 5. Operating Instructions Plates (Rear and Left Side).....	0005-12
Figure 6. Operating Instructions Plate.....	0005-13
Figure 7. Identification Plates.....	0005-14
Figure 8. IUID Identification Plates.....	0005-15
Figure 9. Set Rating Identification Plates.....	0005-15
Figure 10. Fuel System Diagram Plate.....	0005-16
Figure 11. Voltage Connection Caution Plate.....	0005-16
Figure 12. Grounding Stud Plate.....	0005-17
Figure 13. NATO Slave Receptacle Plate.....	0005-17
Figure 14. Paralleling Receptacle Plate.....	0005-17
Figure 15. Convenience Receptacle Plate.....	0005-17
Figure 16. External Fuel Supply Plate.....	0005-17
Figure 17. Battery Connection Instruction Plate.....	0005-18
Figure 18. Lifting and Tiedown Diagram Plate.....	0005-18
Figure 19. Diagnostics Plate.....	0005-19
Figure 20. Generator Identification Plates.....	0005-19
Preparation for Movement.....	0005-19
Operation Under Unusual Conditions.....	WP 0006
Operation In Extreme Heat Above 120 °F (48.8 °C).....	0006-1
Operation In Dusty or Sandy Areas.....	0006-1
Operation Under Rainy or Humid Conditions.....	0006-2
Operation In Salt Water Areas.....	0006-2
Operation At High Altitudes.....	0006-3
Operation While In Contaminated Areas.....	0006-3
Use of the Convenience Receptacle.....	0006-4

**TABLE OF CONTENTS - Continued**

	<b>Page No.</b>
	<b><u>WP Sequence No.</u></b>
Emergency Information .....	WP 0007
Chapter 3 - Operator Troubleshooting Procedures	
Troubleshooting Index .....	WP 0008
Troubleshooting Procedures .....	WP 0009
Chapter 4 - Operator Maintenance Instructions	
Preventive Maintenance Checks and Services (PMCS) Introduction .....	WP 0010
Preventive Maintenance Checks and Services (PMCS) .....	WP 0011
Table 1. Operator Preventative Maintenance Checks and Services .....	0011-1
Operator Lubrication Instructions .....	WP 0012
Generator Set Inspection and Service .....	WP 0013
Batteries: Inspection, Servicing .....	WP 0014
Inspection .....	0014-1
Servicing .....	0014-1
Air Cleaner Assembly: Inspection, Servicing .....	WP 0015
Inspection .....	0015-1
Figure 1. Air Cleaner Element Replacement .....	0015-2
Servicing .....	0015-2
Cooling System: Inspection, Servicing .....	WP 0016
Inspection .....	0016-1
Servicing .....	0016-1
Table 1. Coolant .....	0016-1
Fuel Tank: Inspection, Servicing .....	WP 0017
Inspection .....	0017-1
Servicing .....	0017-1
Table 1. Diesel Fuel .....	0017-1
Fuel Filter/Water Separator: Inspection, Servicing .....	WP 0018
Inspection .....	0018-1
Figure 1. Draining Fuel Filter/Water Separator .....	0018-1
Servicing .....	0018-2
Lubrication System: Inspection, Servicing .....	WP 0019
Inspection .....	0019-1
Servicing .....	0019-1
Chapter 5 - Supporting Information	
References .....	WP 0020
Scope .....	0020-1
Components of End Item (COEI) and Basic Issue Items (BII) Lists .....	WP 0021
Scope .....	0021-1
General .....	0021-1
Table 1. Components of End Item List .....	0021-1

**TABLE OF CONTENTS - Continued**

	<b>Page No.</b>
	<b><u>WP Sequence No.</u></b>
Figure 1. Item 1. Basic Issue Items Lubrication Order LO 9-6115-645-12 .....	0021-2
Figure 2. Item 2. Basic Issue Items Technical Manual TM 9-6115-645-10 .....	0021-3
Figure 3. Item 3. Basic Issue Items Warranty Technical Bulletin TB 9-6115-645-24 .....	0021-4
Table 2. Basic Issue Items List.....	0021-4
Additional Authorization List (AAL) .....	WP 0022
Scope .....	0022-1
General.....	0022-1
Table 1. Additional Authorization List. ....	0022-1
Expendable and Durable Items List .....	WP 0023
Explanation of Columns In the Expendable/durable Items List .....	0023-1
Table 1. Expendable and Durable Items List.....	0023-1
<b>Chapter 6 - Winterization Kit</b>	
Winterization Kit, General Information .....	WP 0024
Winterization Kit, Equipment Description and Data .....	WP 0025
Figure 1. Location of Major Components .....	0025-2
Table 1. Description of Major Winterization Kit Components. ....	0025-3
Table 2. Heater Operating Data. ....	0025-3
Winterization Kit, Troubleshooting Procedures.....	WP 0026
Figure 1. Heater Function Codes Plate .....	0026-2
Winterization Kit, Preventive Maintenance Checks and Services (PMCS) Introduction .....	WP 0027
Figure 1. Operator PMCS Routing Diagram.....	0027-3
Winterization Kit, Preventive Maintenance Checks and Services (PMCS).....	WP 0028
Table 1. Operator Preventive Maintenance Checks and Services. ....	0028-1
Winterization Kit, Maintenance Procedures .....	WP 0029
Index	

## How to Use This Manual

This manual contains operator instructions for the MEP-806 and MEP-816A Tactical Quiet Generator (TQG) Sets.

### NOTE

Throughout the family of manuals, directional orientation in relation to the equipment is described from the point of view of the operator facing the operator's controls looking out over the equipment. From this perspective, the end of the equipment containing the operator's controls will be referred to as the rear.

This manual provides operating procedures, troubleshooting, maintenance, and supporting information required to operate and maintain the MEP-806 and MEP-816A Tactical Quiet Generator (TQG) Sets. Listed below are some of the features included in this TM to help locate and use the provided information.

### WORK PACKAGES

This TM has been organized using the WP concept. Each chapter contains a series of WPs rather than sections and paragraphs. Each WP is designed to stand alone as a complete information module; if the user keeps the section(s) of this TM in a loose-leaf binder, the user will be able to remove just the WP needed to complete a specific task. Here are some WP features of which the user should be aware.

Each WP is numbered using a four-digit number beginning with WP 0001. WPs are numbered sequentially throughout the TM (ex. WP 0016. WP 0020. etc.). The Table of Contents lists each chapter and WP title as well as all figures and tables contained within each. Figures and tables are numbered sequentially for each WP.

The WP number is located at the top right of each page. It is also located at the bottom of the page with the WP page number included (0001-1 would be page 1 of the General Information WP (WP 0001, General Information)).

Each WP starts on a right-hand page. This is done so the user can remove a single WP from the paper TM if needed for a task. Blank pages are assigned a number, but it appears on the preceding or following page. For example, if page 0001-10 of a WP is blank, page 0001-9 will have the number 0001-9/10 blank; or if page 0001-1 of a WP is blank, page 0001-2 will have the number 0001-1 blank/2.

Each WP containing step-by-step maintenance or troubleshooting procedures will end with the words END OF TASK, and each WP ends with the statement END OF WORK PACKAGE. Think of each WP as a small, standalone TM.

Typographical conventions are as follows:

[Unload] indicates a soft key or a switch.

[Previous] + [Next] indicates two simultaneous key presses. [ + ] [ - ] indicates two sequential key presses.

References to equipment Data and Description Plates are printed as they appear on the equipment whenever possible.

### Warnings, Cautions and Notes Definitions

Warnings, cautions, notes, chapter titles, and paragraph headings are printed in bold type. Icons related to warnings are shown directly above the warning text.

The following definitions apply to WARNINGS, CAUTIONS and NOTES found throughout this publication. Warning, cautions and notes provide supplemental information. Personnel must understand and apply these Warnings, Cautions and Notes during many phases of operation and maintenance to ensure personnel safety and health and the protection of property. Portions of this information may be repeated in certain chapters of this publication for emphasis.

### WARNING

A warning identifies a clear danger to the person doing that procedure.

### CAUTION

A caution identifies risk of damage to the equipment.

## NOTE

A note highlights essential procedures, conditions, or statements or conveys important instructional data to the user.

## CHAPTER OVERVIEW

### Chapter 1 - General Information, Equipment Description and Theory of Operation

Chapter 1 provides an introduction to the generator sets. It is divided into three work packages, as follows:

**General Information.** This work package provides general information about this manual and the related forms and records. Instructions are provided for making equipment improvement recommendations. Coverage includes a reference to the TM that contains instructions on destruction of materiel to prevent enemy use. Also, a list of abbreviations and acronyms are included.

**Equipment Description and Data.** This work package describes capabilities, characteristics, and features. It provides basic equipment data and shows the locations of major components. Descriptions of the major components are also provided.

**Theory of Operation.** This work package provides functional descriptions of the equipment.

### Chapter 2 - Operator Instructions

Chapter 2 provides instructions for operating the generator sets. The chapter is divided into three work packages, as follows:

**Description and Use of Operator Controls and Indicators.** This work package provides references to the applicable generator set technical manuals and trailer technical manuals. Those references contain information on operator's controls and indicators for the equipment.

**Operation Under Usual Conditions.** This work package contains instructions for preparing the equipment for use and operation under normal conditions. Coverage includes connection instructions and preparation instructions for movement to a new worksite.

**Operation Under Unusual Conditions.** This work package provides unusual operating procedures or references to the applicable accompanying technical manuals.

### Chapter 3 - Operator Troubleshooting Procedures

Chapter 3 covers troubleshooting procedures of the generator sets to be performed by the operator. The chapter is divided as follows:

**Operator Troubleshooting Index.** This work package provides troubleshooting procedures and corrective actions that are to be performed by the operator. It also provides references to the applicable technical manuals.

### Chapter 4 - Operator Maintenance Instructions

Chapter 4 covers maintenance procedures for the generator sets to be performed by the operator. Its purpose is to provide you with the information that you need to keep the equipment in good operating condition. The chapter is divided as follows:

**Preventive Maintenance Checks and Services (PMCS) Introduction.** This work package provides a detailed explanation of each table entry in the PMCS table along with applicable warnings, cautions and notes prior to starting on the PMCS procedures.

**Preventive Maintenance Checks and Services (PMCS).** This work package contains detailed instructions that the operator must perform before, during, and after preventive maintenance checks and services. Coverage includes all operator PMCS for the equipment.

**Operator Lubrication Instructions.** This work package section provides references to the applicable lubrication instructions.

**Maintenance Procedures.** These work packages refer the operator to the preventive maintenance checks and services required by WP 0010.

## Chapter 5 - Supporting Information

**Components of End Item (COEI) and Basic Issue Items (BII) Lists.** This work package lists the items usually packaged separately but needed for installation and operation of the equipment. The work package has three sections, as follows:

**Introduction.** This section explains the entries in Tables 1 and 2.

**Components of End Item.** The equipment is normally shipped fully assembled, so this section is not applicable.

**Basic Issue Items.** This section contains a list of the accessories needed for installation and operation of the equipment.

**Additional Authorization List (AAL).** This work package lists additional items you are authorized for support of the equipment. This work package contains two sections, as follows:

**Introduction.** This section explains the entries in Tables 1.

**Additional Authorized Items List.** This table lists the Additional Authorized Items.

**Expendable and Durable Items List.** This work package lists expendable/durable supplies and materials needed to operate and maintain your equipment. The work package contains two sections, as follows:

**Expendable and Durable Items List.** The list indicates the maintenance level that needs each item and identifies the items by National Stock Number (NSN), description, and unit of measure.

## Chapter 6 - Winterization Kit

Chapter 6 provides information on the operation, troubleshooting and maintenance of the winterization kit designed to be mounted in generator sets where extreme cold temperatures are anticipated. The chapter is divided into six work packages, as follows:

**General Information.** This section describes and illustrates the components of the winterization kit to ensure proper operation of the kit when installed on all generator sets.

**Equipment Description and Data.** This work package describes winterization kit capabilities, characteristics, and features. It provides descriptions of the major components and tabulated data for the heater.

**Preventive Maintenance Checks and Services (PMCS) Introduction.** This work package provides a detailed explanation of each table entry in the PMCS table along with applicable warnings, cautions and notes prior to starting on the PMCS procedures of the winterization kit.

**Preventive Maintenance Checks and Services (PMCS).** This work package contains detailed instructions that must be performed before, during, and after preventive maintenance checks and services of the winterization kit.

**Troubleshooting Procedures.** This section provides troubleshooting procedures and corrective actions that are to be performed by the operator.

**Maintenance Procedures.** This section refers the operator to the preventive maintenance checks and services required by WP 0010.



## HOW TO FIX A GENERATOR SET MALFUNCTION

**Determining the Cause.** Finding the cause of a malfunction, troubleshooting, is the first step in fixing the generator set and returning it to operation. Follow these simple steps to determine the root of the problem:

1. Turn to the Table of Contents in this manual.
2. Locate "Troubleshooting" under the chapter that covers your level of maintenance. Turn to the page indicated.
3. For operator troubleshooting, find the malfunction listing in the troubleshooting symptom index. Follow the instructions provided as indicated by the symptom index.

**Preparing for a Task.** Be sure that you understand the entire maintenance procedure before beginning any maintenance task. Make sure that all parts, materials, and tools are handy. Read all steps before beginning.

Prepare to do the task as follows:

1. Carefully read the entire task before starting. It tells you what you will need and what you have to know to start the task. **DO NOT START THE TASK UNTIL:**
  - a. You know what is needed
  - b. You have everything you need
  - c. You understand what to do
2. If parts are listed, they can be drawn from technical supply. Before you start the task, check to make sure you can get the needed parts.
3. If expendable/durable supplies or materials are needed, get them before starting the task. Refer to WP 0022 for the correct nomenclature and NSN.

**How to Do the Task.** Before starting, read the entire task. Be sure that you understand the entire procedure before you begin the task. As you read, remember the following:

1. **PAY ATTENTION TO WARNINGS, CAUTIONS, AND NOTES.**
2. Use the List of Abbreviations/Acronyms if you do not understand the special abbreviations or unusual terms used in this manual.
3. The following are standard maintenance practices. Instructions about these practices are usually not included in task steps. When standard maintenance practices do not apply, the task steps will tell you.
  - a. Tag electrical wiring before disconnecting it.
  - b. Discard used preformed packing, retainers, gaskets, cotter pins, lockwashers, and similar items. Install new parts to replace the discarded items.
  - c. Coat packing before installation, in accordance with the task instructions.
  - d. Disassembly procedures describe the disassembly needed for total authorized repair. You may not need to disassemble an item as far as described in the task. Follow the disassembly steps only as far as needed to repair/replace worn or damaged parts.
  - e. Clean the assembly, subassembly, or part before inspecting it.
  - f. Before installing components having mating surfaces, inspect the mating surfaces to make sure they are in serviceable condition.
  - g. Hold the bolt (or screw) head with a wrench (or screwdriver) while tightening or loosening a nut on the bolt (or screw).
  - h. Torque to the special torque cited when the task instructions include the words "torque to." Use standard torques at all other times.
  - i. When a cotter pin is required, align the cotter pin holes within the allowable torque range.
  - j. Inspect for foreign objects after performing maintenance.



**CHAPTER 1**

**OPERATOR GENERAL INFORMATION, EQUIPMENT  
DESCRIPTION AND THEORY OF OPERATION**

**FOR**

**60 kW 50/60 AND 400 Hz SKID MOUNTED TACTICAL  
QUIET GENERATOR SETS**

CHAPTER 1

GENERAL INFORMATION, EQUIPMENT DESCRIPTION AND THEORY OF OPERATION

**WORK PACKAGE INDEX**

---

<u>Title</u>	<u>WP Sequence No.</u>
General Information.....	0001
Equipment Description and Data.....	0002
Theory of Operation.....	0003

---

**OPERATOR MAINTENANCE****60 kW 50/60 AND 400 Hz SKID MOUNTED TACTICAL QUIET GENERATOR SETS****GENERAL INFORMATION**

---

**SCOPE**

This manual is designed to help you operate and maintain the MEP-806A and MEP-816A Tactical Quiet Generator (TQG) Sets. Warning pages are located in the front of this manual. Read the warnings before operating or doing maintenance on the equipment.

**Type of Manual**

This manual contains operation and operator maintenance instructions for the Tactical Quiet (TQ), 60 kW 50/60 and 400 Hz Generator Sets (Figure 1), herein referred to as generator set. Included are descriptions of major components and their functions in relation to other components.

**Model Numbers and Equipment Names**

<u>Model Number</u>	<u>Equipment Name</u>
MEP-806A	Generator Set, Skid Mounted, Tactical Quiet, 60 kW 50/60 Hz
MEP-816A	Generator Set, Skid Mounted, Tactical Quiet, 60 kW 400 Hz

**Purpose of Equipment**

The generator set provides tactical quiet AC power. The generator set is easily transported, operated, and maintained.

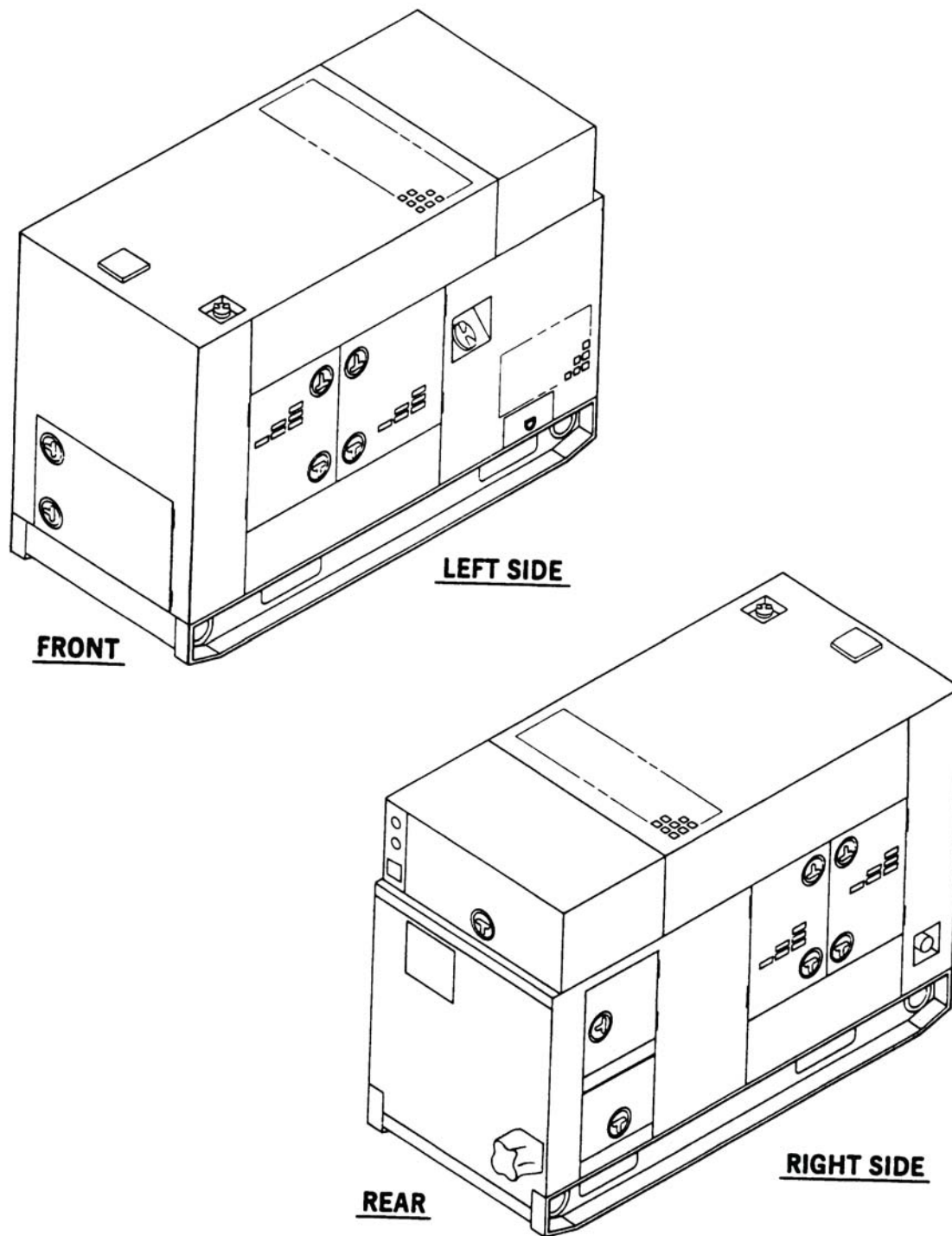


Figure 1. Generator Set, 60 kW, Tactical Quiet.

#### MAINTENANCE FORMS, RECORDS, AND REPORTS

- (1) (A) Department of the Army forms and procedures used for equipment maintenance will be those prescribed by (as applicable) DA PAM 750-8, The Army Maintenance Management System (TAMMS) Users Manual; DA PAM 738-751, Functional Users Manual for the Army Maintenance Management Systems - Aviation (TAMMS-A); or AR 700-138, Army Logistics Readiness and Sustainability.

- (2) (MC) Maintenance forms and records used by Marine Corps personnel are prescribed by TM 4700-15/1.
- (3) (F) Maintenance forms and records used by Air Force personnel are prescribed in AFI 21-101 and the applicable TO 00-20 Series Technical Orders.

### **REPORTING EQUIPMENT IMPROVEMENT RECOMMENDATION (EIR)**

If your generator set needs improvement, let us know. Send us an EIR. You, the user, are the only one who can tell us what you don't like about your equipment. Let us know why you don't like the design or performance. If you have Internet access, the easiest and fastest way to report problems or suggestions is to go to <https://aeps.ria.army.mil/aepspublic.cfm> (scroll down and choose the "Submit Quality Deficiency Report" bar). The Internet form lets you choose to submit an Equipment Improvement Recommendation (EIR), a Product Quality Deficiency Report (PQDR or a Warranty Claim Action (WCA). You may also submit your information using an SF 368 (Product Quality Deficiency Report). You can send your SF 368 via e-mail, regular mail, or facsimile using the addresses/facsimile numbers specified in DA PAM 750-8, The Army Maintenance Management System (TAMMS) Users Manual. We will send you a reply.

(F)USAF Deficiency Reporting and Investigating System, TO 00-35D-54, Appendix A procedures will be used for electronic submission. Submit mailed forms to: Robins AFB, WRALC/LGMTC, 375 Perry Street, Robins AFB, GA 31098-1865.

### **CORROSION PREVENTION AND CONTROL (CPC)**

Corrosion Prevention and Control (CPC) of Army materiel is a continuing concern. It is important that any corrosion problems with this item be reported so that the problem can be corrected and improvements can be made to prevent the problem in future items.

Corrosion specifically occurs with metals. It is an electrochemical process that causes the degradation of metals. It is commonly caused by exposure to moisture, acids, bases, or salts. An example is the rusting of iron. Corrosion damage in metals can be seen, depending on the metal, as tarnishing, pitting, fogging, surface residue, and/or cracking.

Plastics, composites, and rubbers can also degrade. Degradation is caused by thermal (heat), oxidation (oxygen), solvation (solvents), or photolytic (light, typically UV) processes. The most common exposures are excessive heat or light. Damage from these processes will appear as cracking, softening, swelling, and/or breaking.

SF Form 368, Product Quality Deficiency Report should be submitted to the address specified in DA PAM 750-8, The Army Maintenance Management System (TAMMS) Users Manual.

### **DESTRUCTION OF ARMY MATERIEL TO PREVENT ENEMY USE**

Destruction of Army materiel to prevent enemy use shall be in accordance with TM 750-244-3.

### **PREPARATION FOR STORAGE OR SHIPMENT**

Information on Preparation for Storage or Shipment, refer to WP 0005, Preparation for Movement.

### **WARRANTY INFORMATION**

The generator sets (MEP-806A and MEP-816A) manufactured under contract number DAAK01-88-D-D082 are warranted by Libby Corporation for a period of 36 months or 1800 operating hours, whichever occurs first. The generator sets manufactured under contract number DAAK01-94-D-0036 are warranted by Fermont, Inc. for a period of 36 months or 1800 operating hours, whichever occurs first. Refer to Warranty Technical Bulletin TB 9-6115-645-24. The warranty starts on the date found in block 23, DA Form 2408-9, in the logbook. Report all defects in material or workmanship to your supervisor, who will take appropriate action through your Unit Maintenance Shop.

**LIST OF ABBREVIATIONS/ACRONYMS**

<b><u>Abbreviation/Acronym</u></b>	<b><u>Name</u></b>
°C	Degrees Celsius
°F	Degrees Fahrenheit
AAL	Additional Authorization List
AOAP	Army Oil Analysis Program
BII	Basic Issue Item
BOI	Basis Of Issue
CAGE	Commercial And Government Entity
CAGEC	Commercial And Government Entity Code
COEI	Components Of End Item
CPC	Corrosion Prevention and Control
CTA	Common Table of Allowance
DMWR	Depot Maintenance Work Requirement
DoD	Department of Defense
EIR	Equipment Improvement Recommendation
FGC	Functional Group Code
ft•lbf	Foot Pound-Force
Hz	Hertz
JTA	Joint Table Of Allowances
kg	Kilogram
kPa	Kilopascals
kW	Kilowatt
m	Meter (Metric Measure)
MTOE	Modification Table of Organization and Equipment
NATO	North Atlantic Treaty Organization
NHA	Next Higher Assembly
NIIN	National Item Identification Number
NSN	National Stock Number
N•m	Newton-Meter
P/N	Part Number
PMCS	Preventive Maintenance Checks and Services
SMR	Source, Maintenance, and Recoverability
TAMMS	The Army Maintenance Management System
UOC	Usable On Code

**END OF WORK PACKAGE**



---

**OPERATOR MAINTENANCE****60 kW 50/60 AND 400 Hz SKID MOUNTED TACTICAL QUIET GENERATOR SETS****EQUIPMENT DESCRIPTION AND DATA**

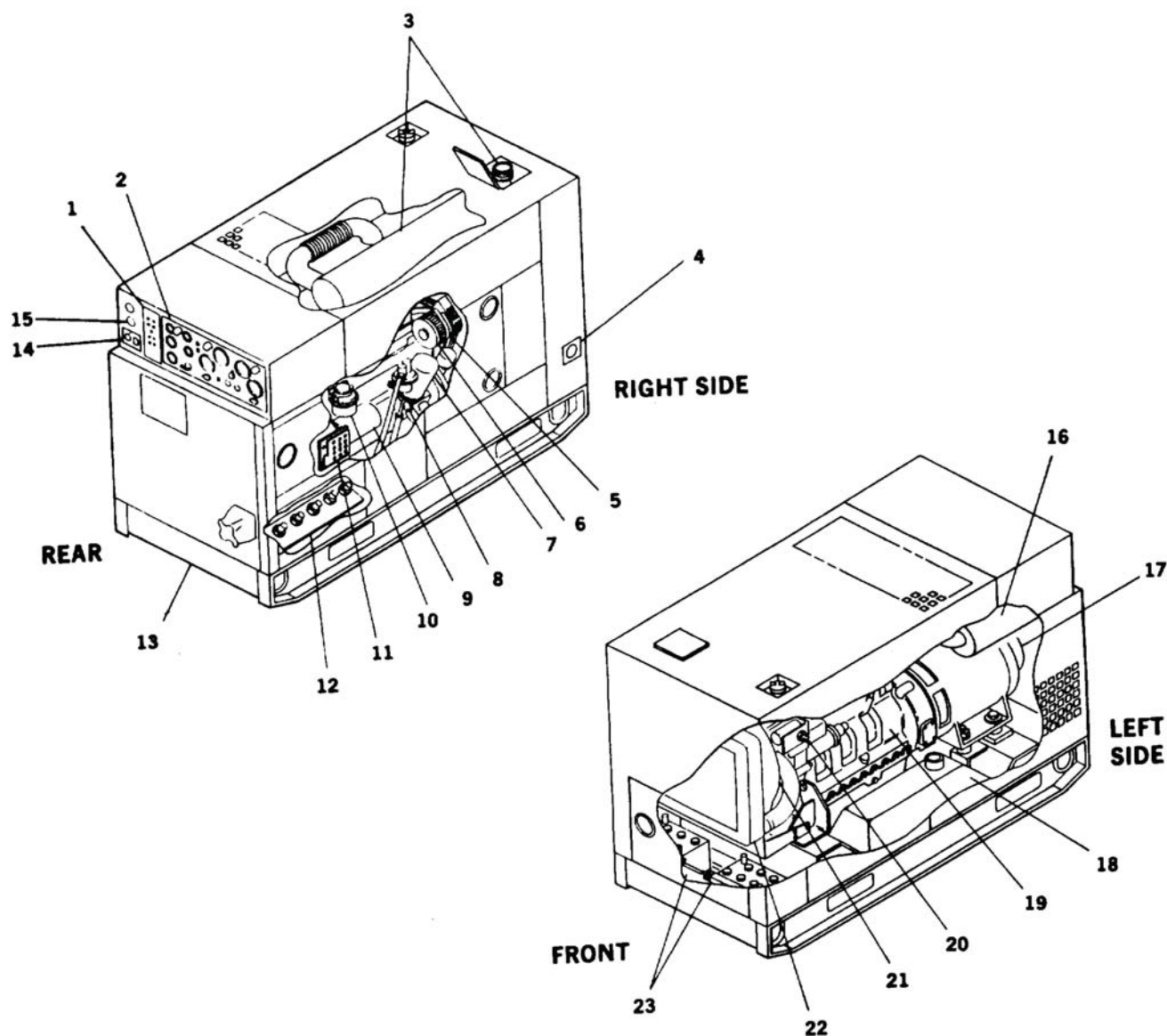
---

**EQUIPMENT CHARACTERISTICS, CAPABILITIES, AND FEATURES**

The generator sets, models MEP-806A and MEP-816A (Figure 1), are fully enclosed, self-contained, skidmounted, portable units. They are equipped with controls, instruments and accessories necessary for operation as single units or in parallel with another unit of the same class and mode. The generator sets consist of a diesel engine, brushless generator, excitation system, speed governing system, fuel system, 24 VDC starting system, control system and fault system.

**LOCATION AND DESCRIPTION OF MAJOR COMPONENTS****NOTE**

All locations (index numbers) referenced in Figure 1 are given facing the control panel assembly (rear) of the generator set.



**LEGEND**

- |    |                                     |    |                        |
|----|-------------------------------------|----|------------------------|
| 1  | Malfunction Indicator Panel         | 13 | Skid Base              |
| 2  | Control Panel Assembly              | 14 | Convenience Receptacle |
| 3  | Muffler                             | 15 | Paralleling Receptacle |
| 4  | NATO Slave Receptacle               | 16 | Air Cleaner Assembly   |
| 5  | Fan Belt                            | 17 | AC Generator           |
| 6  | Battery charging Alternator         | 18 | Fuel Tank              |
| 7  | Oil Filter                          | 19 | Engine                 |
| 8  | Dipstick                            | 20 | Dead Crank Switch      |
| 9  | Starter                             | 21 | Water Pump             |
| 10 | Fuel filter/Water Separator         | 22 | Radiator               |
| 11 | Voltage Reconnection Terminal Board | 23 | Batteries              |
| 12 | Load Output Terminal Board          |    |                        |

**Figure 1. Generator Set Components.**

**Malfunction Indicator Panel (1).** The malfunction indicator panel is located to the left of the control panel assembly. It indicates malfunctions of the generator set components.

**Control Panel Assembly (2).** The generator set control panel assembly is located at the rear of the generator set and contains controls and instruments for operating the engine and the generator.

**Muffler (3).** The muffler and exhaust tubing are connected to the exhaust manifold on the engine. The exhaust exits from the top of the generator set housing. Gases are exhausted upward.

**NATO Slave Receptacle (4).** The NATO slave receptacle is located on the right side (front) of the generator set. It is used for slave starting.

**Fan Belts (5).** The fan belts are located in the engine compartment on the front of the engine. The belts drive the fan, water pump, and battery charging alternator.

**Battery Charging Alternator (6).** The battery charging alternator is located on the right side of the engine. It is capable of maintaining the batteries in a state of full charge in addition to providing the required 24 VDC control power.

**Oil Filter (7).** The oil filter is located in the engine compartment on the left side. The filter removes impurities from the engine lubricating oil.

**Dipstick (8).** The dipstick is located in the engine compartment on the right side. The dipstick shows the lubricating oil level in the engine crankcase.

**Starter (9).** The starter is located on the right side of the engine. The electric starter mechanically engages the engine flywheel in order to start the diesel engine.

**Fuel Filter/Water Separator (10).** The fuel filter/water separator is located in the engine compartment on the right side. The element removes impurities and water from the diesel fuel.

**Voltage Reconnection Terminal Board (11).** The voltage reconnection terminal board is located on the right side (rear) of the generator set. The board allows reconfiguration from 120/208 to 240/416 VAC output.

**Load Output Terminal Board (12).** The load output terminal board is located on the right side (rear) of the generator set. There are four output terminals located on the board. They are marked L1, L2, L3 and L0. A fifth terminal, marked GND, is located next to the output terminals and serves as equipment ground for the generator set. A removable, solid copper bar is connected between the L0 and GND terminals.

**Skid Base (13).** The skid base supports the generator set. It has fork lift access openings and cross members for short distance movement. The skid base has provisions in the bottom for installation of the generator set on a trailer.

**Convenience Receptacle (14).** The convenience receptacle is a 10 Amp, 120 VAC receptacle used to operate small plug in type equipment. It is protected by a Ground Fault Circuit Interrupter located below the Malfunction Indicator Panel (1-9.12), an overload circuit breaker located inside the control box, and an in-line fuse on generator sets, contract number DAAKO1-88-D-0082. The convenience receptacle power is available at all times during operation of the generator set.

**Paralleling Receptacle (15).** The Paralleling receptacle is used to connect the paralleling cable between two generator sets of the same size and mode to operate in parallel.

**Air Cleaner Assembly (16).** The air cleaner assembly is located on the left side behind the air cleaner access door. It consists of a dry-type, disposable paper element and canister. The air cleaner assembly features a dust collector which traps large dust particles. The air cleaner assembly has a restriction indicator which will indicate when the air cleaner element requires servicing.

**AC Generator (17).** The AC generator is a single bearing, drip-proof, synchronous, brushless, three phase, fan-cooled generator. The generator is coupled directly to the rear of the diesel engine.

**Fuel Tank (18).** The fuel tank is located below the engine and between the skid base side members. The fuel tank has a capacity of 43 gallons (162.7 liters) which will allow the generator set to operate for at least 8 hours without refueling.

**Engine (19).** The generator is powered by a six cylinder, four cycle, fuel injected, turbocharged, liquidcooled diesel engine which occupies the front half of the generator set. The engine is also equipped with a fuel filter/water separator, oil filter, and an air cleaner assembly. Protection devices automatically stop the engine during conditions of high coolant temperature, low oil pressure, no fuel, over-speed, or over-voltage.

**Dead Crank Switch (20).** The Dead Crank switch is located in the engine compartment on the left side. The switch allows the engine to be cranked without starting for maintenance purposes.

**Water Pump (21).** The water pump is located in the engine compartment on the front of the engine. The pump circulates the engine coolant through the engine block and the radiator.

**Radiator (22).** The radiator is located at the front of the generator set. It acts as a heat exchanger for the engine coolant.

**Batteries (23).** Two batteries are located at front of the generator set. The batteries are electrolyte serviceable, lead acid, 12 volt type, connected in series. After starting, the generator set is capable of operating with batteries removed. A diode and a fuse, located behind the control panel assembly, protect the generator set if the batteries are incorrectly connected.

**Winterization Kit.** See Chapter 6 for detailed information and breakdown.

**DIFFERENCES BETWEEN MODELS**

The differences between models of the generator sets covered in this manual are as follows:

Model MEP-806A is equipped with a 50/60 Hz generator.

Model MEP-816A is equipped with a 400 Hz generator.

**EQUIPMENT DATA**

For a list of Leading Particulars refer to Table 1.

**Table 1. Leading Particulars.**

<b>1. Generator Set:</b>	
Model Number:	
60 kW 50/60 Hz Tactical Quiet	MEP-806A
60 kW 400 Hz with Tactical Quiet	MEP-816A
National Stock Number (NSN):	
MEP-806A	6115-01-274-7390
MEP-816A	6115-01-274-7395
Overall Length:	
MEP-806A	87 in. (221 cm.)
MEP-816A	87 in. (221 cm.)
Overall Width:	
MEP-806A	35.7 in. (90.8 cm.)
MEP-816A	35.7 in. (90.8 cm.)
Overall Height:	
MEP-806A	59 in. (149.9 cm.)
MEP-816A	59 in. (149.9 cm.)
Overall Weights (less Basic Issue Items):	
MEP-806A	3556 lb. (1613 kg.)
MEP-816A	3606 lb. (1635.7 kg.)
Wet Weights:	
MEP-806A	3992 lb. (1810.8 kg.)
MEP-816A	4042 lb. (1833.5 kg.)

Table 1. Leading Particulars. - Continued

<b>2. Engine:</b>	
Manufacturer	John Deere
Model	6059T
Type	Six cylinder, four cycle, turbocharged, diesel
Displacement	359 cu. in. (5.9 liters)
Altitude Degradation, 4,000 ft. (1,220 m.) to 8,000 ft. (2,440 m.)	3.5% per 1000 ft. (305 m.)
Firing Order	1, 5, 3, 6, 2, 4
Cold Weather Starting Aid System Use	40 °F (4 °C) or below
Valve Tappet Clearance Adjustment:	
Hot or Cold (Intake)	0.014 in. (0.35 mm.)
Hot or Cold (Exhaust)	0.018 in. (0.45 mm.)
<b>3. Cooling System:</b>	
Type	Pressurized radiator and pump
Capacity	20.5 qt. (19.4 liters)
Normal Operating Temperature	170-200 °F (77-93 °C)
Temperature Indicating System Voltage Rating	24 VDC
<b>4. Lubricating System:</b>	
Type	Full flow, circulating pressure
Oil Pump Type	Positive displacement gear
Normal Operating Pressure	25-60 psi. (172-414 kPa.)
Oil Filter Type	Full flow, spin-on, replaceable element
Capacity	18 qt. (17 liters)
Pressure Indicating System Voltage Rating	24 VDC
<b>5. Fuel System:</b>	
Type of Fuel	DF-1, DF-2, DF-A, JP4, JP5, JP8
Fuel Tank Capacity	43 gal. (162.7 liters)
Fuel Consumption Rate (50/60 Hz):	5.06 gal. (19.2 liters) per hour
Fuel Consumption Rate (400 Hz):	5.37 gal. (20.3 liters) per hour
Auxiliary Fuel Pump:	
Voltage Rating	24 VDC
Delivery Pressure	5.0-6.5 psi. (34.5-65.5 kPa.) (max)
Fuel Level Switch:	
Type	Float
Current	3.0 amps at 6-32 VDC

Table 1. Leading Particulars. - Continued

<b>6. Engine Starting System:</b>			
Batteries	Two 12 volt, connected in series		
Starter:			
Manufacturer	Nippondenso Co. Ltd		
Model	RE39930A		
Voltage Rating	24 VDC		
Drive Type	Gear reduction		
Battery Charging Alternator:			
Manufacturer	Prestolite		
Model	8EM3002GC		
Amperage Rating	42 amps at 24 VDC		
Protective Fuse	50 amps		
<b>7. AC Generator:</b>			
Manufacturer	Marathon Electric		
Type	Rotating field synchronous		
Load Capacity	60 kW		
Current Ratings:	<u>50 Hz</u>	<u>60 Hz</u>	<u>400 Hz</u>
120/208 volt connection	172 amps	208 amps	208 amps
240/416 volt connection	82 amps	104 amps	104 amps
Power Factor	0.8		
Cooling	Fan cooled		
Drive Type	Direct coupling		
Duty Classification	Continuous		
<b>8. Governing System:</b>			
Load Measuring Unit:			
Manufacturer	Technology Research		
Model	19310		
Governor Control Unit:			
Manufacturer	Barber-Colman		
Model	DYNA 10502-003-0-2		
<b>9. Protection Devices:</b>			
Low Oil Pressure Switch:			
Trip Pressure	15±3 psi. (103.4±20.7 kPa.)		
Operating Voltage	12/24 VDC		
Current Rating	7 amps resistive; 4 amps inductive		
Coolant High Temperature Switch:			
Trip Temperature	225±3.5 °F (107±2.1 °C)		

Table 1. Leading Particulars. - Continued

Voltage Rating	12-120 VDC
Current Rating	2 amps
Overspeed Switch:	
Element Trip and Reset	2200±40 RPM
Voltage Rating	28 VDC
Current Rating	1 amp
Overvoltage:	
Trip Point Conditions	153±3 VAC for no less than 200 milliseconds (120 VAC coil winding)
Trip Point	No more than 1.25 seconds after trip conditions exist

**END OF WORK PACKAGE**





---

**OPERATOR MAINTENANCE****60 kW 50/60 AND 400 Hz SKID MOUNTED TACTICAL QUIET GENERATOR SETS****THEORY OF OPERATION**

---

**INTRODUCTION**

This section contains functional descriptions of the generator set and explains how the controls and indicators interact with the system.

**ENGINE STARTING SYSTEM**

The Engine Starting System (Figure 1), consists of two 12-volt batteries connected in series, a starter, a 24 volt battery charging alternator, a magnetic pickup (for sensing engine speed) and the related switches and relays required for control of the starting system. For engine cranking, battery power is supplied to the starter motor through the starter solenoid which in turn is controlled by the cranking relay. The starter then engages the engine flywheel causing the engine to turn over. For engine starting, the DEAD CRANK switch must be in the NORMAL position, the DC Control power circuit breaker must be pushed in, the EMERGENCY STOP switch must be in the OUT position and the MASTER SWITCH is moved to the START position. The cranking relay is then controlled by a circuit consisting of the start relay and crank disconnect switch. As the engine accelerates to the preset speed (sensed by the magnetic pickup), the crank disconnect switch opens and deenergizes the cranking relay to stop and disengage the starter. The starting sequence may also be stopped by moving the MASTER SWITCH to OFF. The engine may be cranked without starting by use of the DEAD CRANK switch. With the DEAD CRANK switch in the CRANK position, the cranking relay, starter solenoid and starter motor are energized without activating any other starting or control function. The batteries are charged by the battery charging alternator that is belt driven by the engine. Generator set control system power is also supplied by the battery charging alternator. The BATTERY CHARGE ammeter indicates the charge/discharge rate of the batteries, from -10 AMPS to +20 AMPS, in 5 AMPS increments. Normal operating indication depends on the state of charge in the batteries. A low charge, such as exists immediately after engine starting, will cause a high reading (needle moves toward CHARGE area). When the charge in the batteries has been restored, the indicator moves near zero.

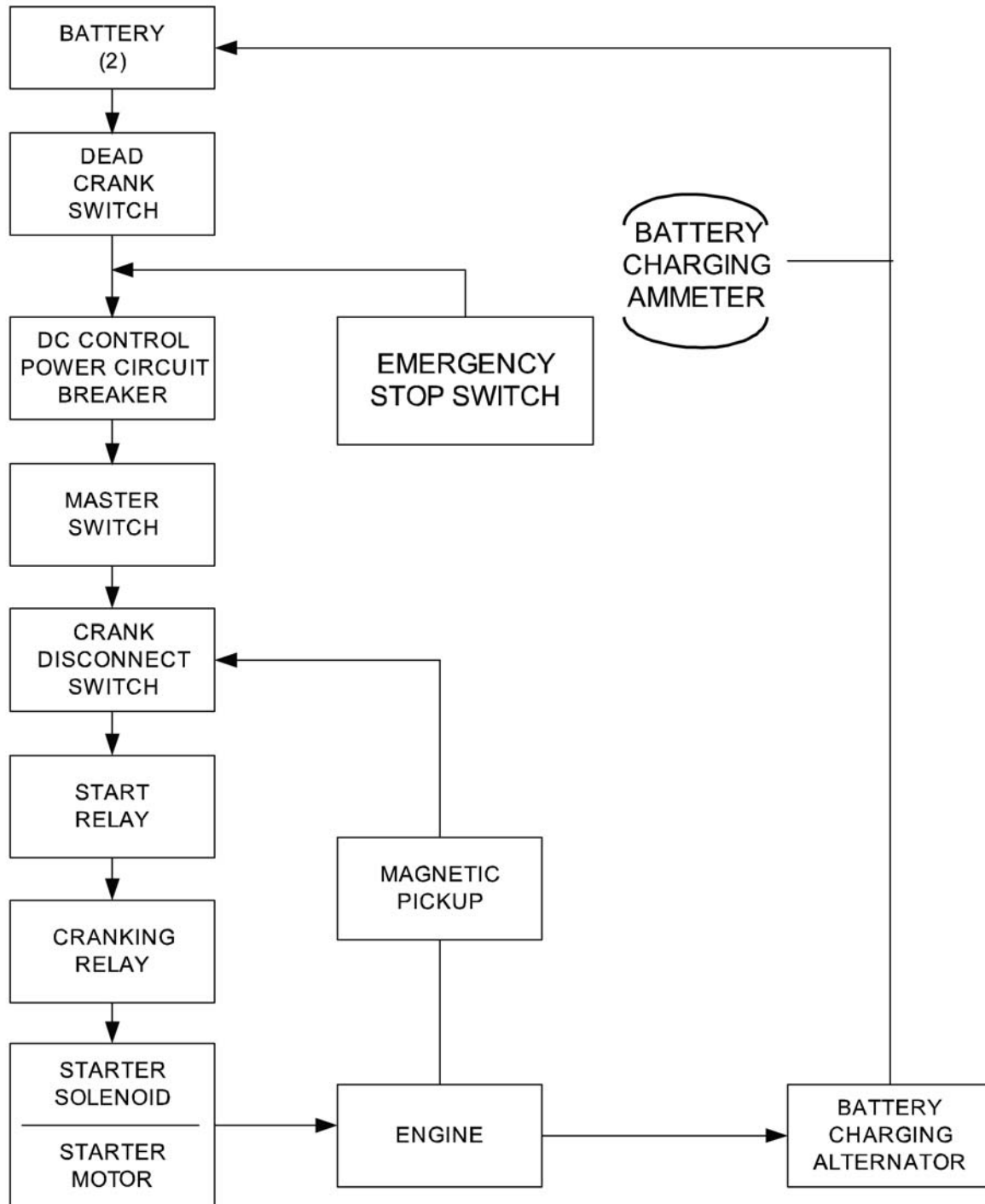


Figure 1. Engine Starting System.

## FUEL SYSTEM

The Fuel System (Figure 2), consists of piping, fuel tank, transfer pump, fuel filter/water separator, injection pump and injectors. Fuel is drawn from the fuel tank by the transfer pump. After reaching the transfer pump, fuel passes through a fuel filter/water separator where water and small impurities are removed. The fuel then goes to an injection pump where it is pressurized and pushed into the injectors. Through the injectors fuel enters the diesel engine combustion chamber, where it is mixed with air and ignited. The fuel that is not used is returned to the fuel tank via an excess fuel return line.

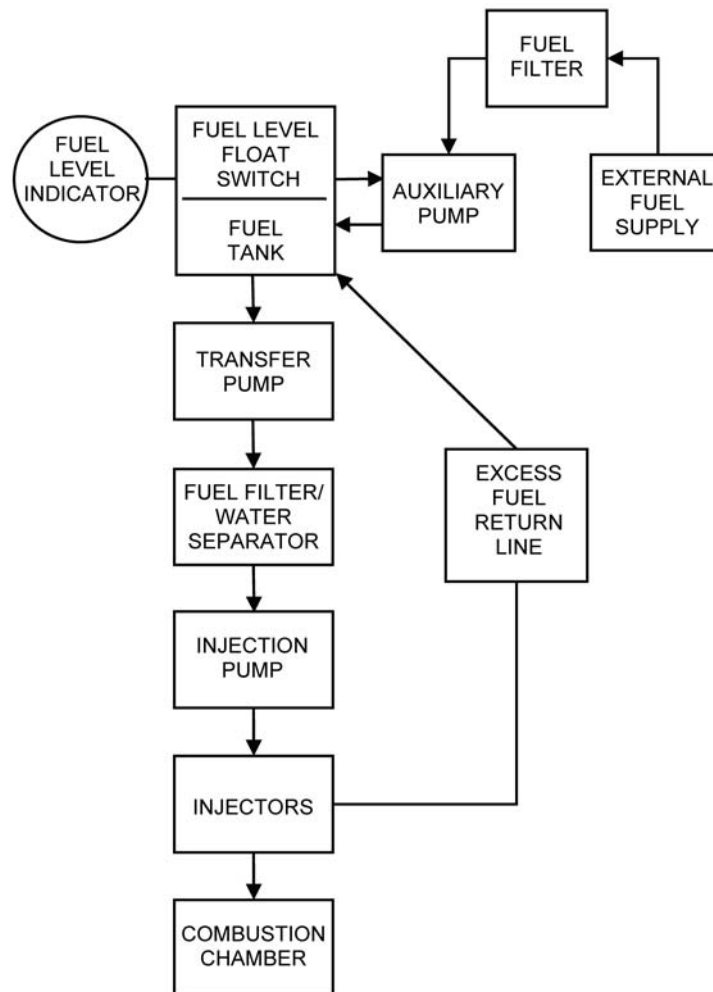


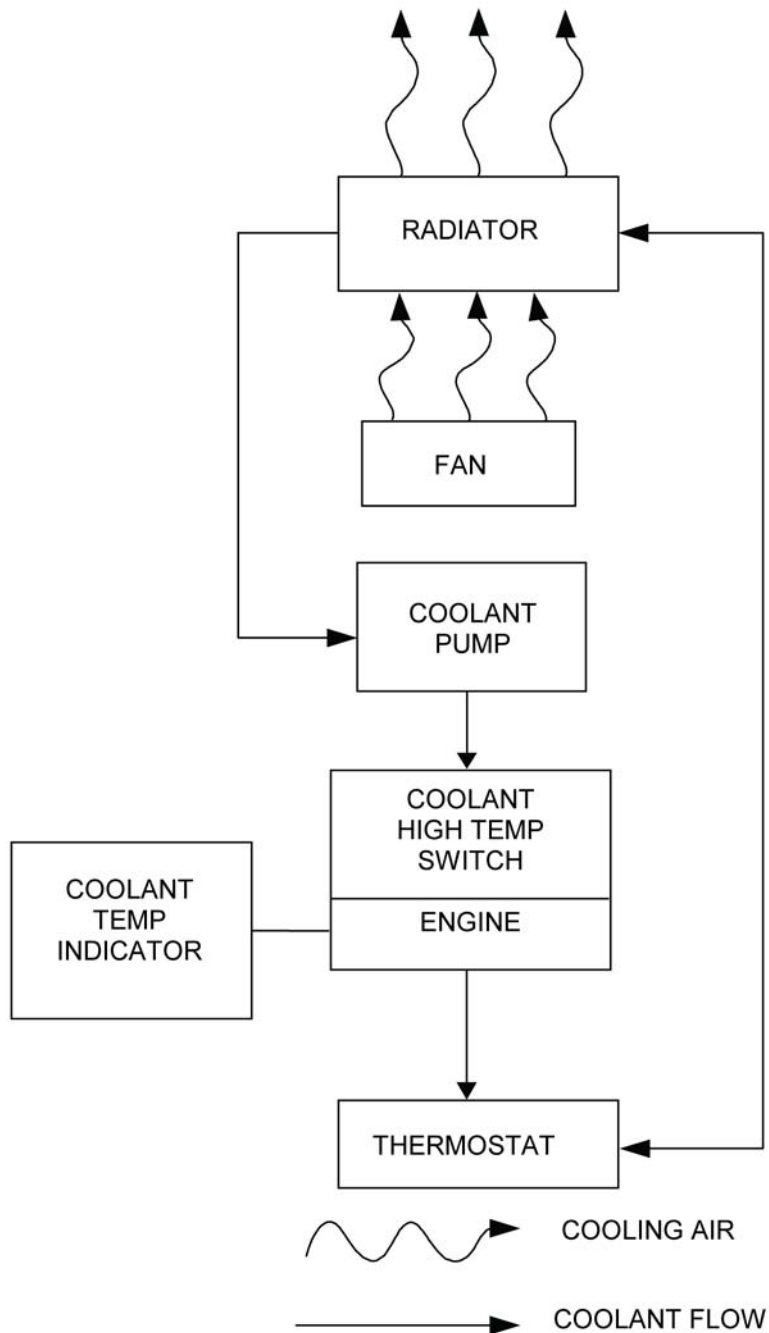
Figure 2. Fuel System.

The Auxiliary Fuel System consists of an external fuel supply, fuel filter, piping, a 24 VDC auxiliary fuel pump, and a fuel level float switch. When the MASTER SWITCH is set on PRIME & RUN AUX FUEL it actuates the auxiliary fuel pump and transfers fuel from the external fuel supply to the generator set fuel tank. The fuel level float switch shuts off the auxiliary fuel pump when the generator set fuel tank is full and reactivates the pump as the level drops. The FUEL LEVEL indicator indicates fuel level of generator set fuel tank from (E) empty to (F) full in quarter tank increments.

**ENGINE COOLING SYSTEM**

The Engine Cooling System (Figure 3) consists of a radiator, hoses, thermostat, water pump, a belt driven fan, cooling jackets, and oil cooler. The water pump forces coolant through passages (cooling jackets) in the engine block and cylinder head where the coolant absorbs heat from the engine. When the engine reaches normal operating temperature, the thermostat opens and the heated coolant flows through the upper radiator hose assembly into the radiator. The cooling fan circulates air through the radiator where the coolant temperature is reduced.

A coolant high temperature switch provides automatic shut down in the event that coolant temperature exceeds  $225 \pm 3.5$  °F ( $107 \pm 2.1$  °C). The COOLANT TEMP indicator indicates the engine coolant temperature, from 120 to 240 °F (48 to 115 °C).



**Figure 3. Engine Cooling System.**

## LUBRICATION SYSTEM

The Lubrication System (Figure 4) consists of an oil pan, dipstick, pump, oil pressure sender, AOAP sample valve, and filter. The oil pan is a reservoir for engine lubricating oil. The dipstick indicates oil level in the oil pan. A pump draws oil from the oil pan and through a screen removing large impurities. The oil then passes through a spin-on type filter where small impurities are removed. From the filter, oil enters the engine and is distributed to the engine's internal moving parts. After passing through the engine, the oil returns to the oil pan. The OIL PRESSURE indicator indicates oil pressure sensed by the oil pressure sender in the engine. The engine will shut off automatically if the oil pressure drops to a dangerously low level. The oil level can be checked with engine running.

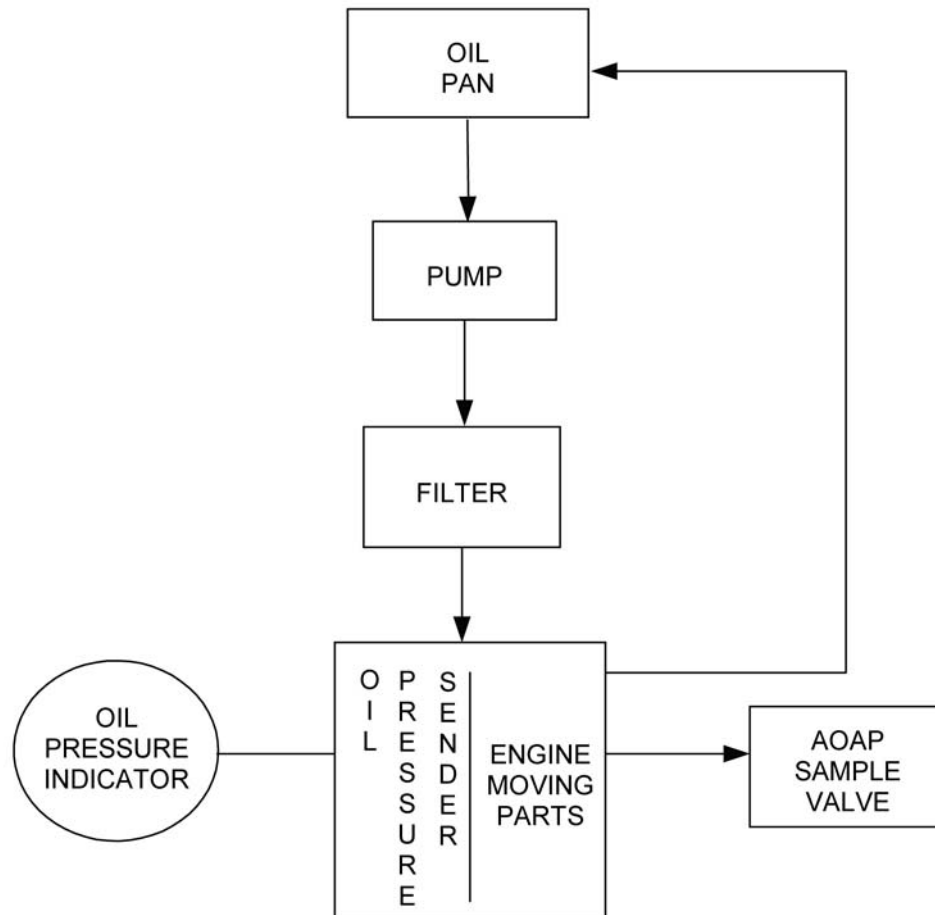
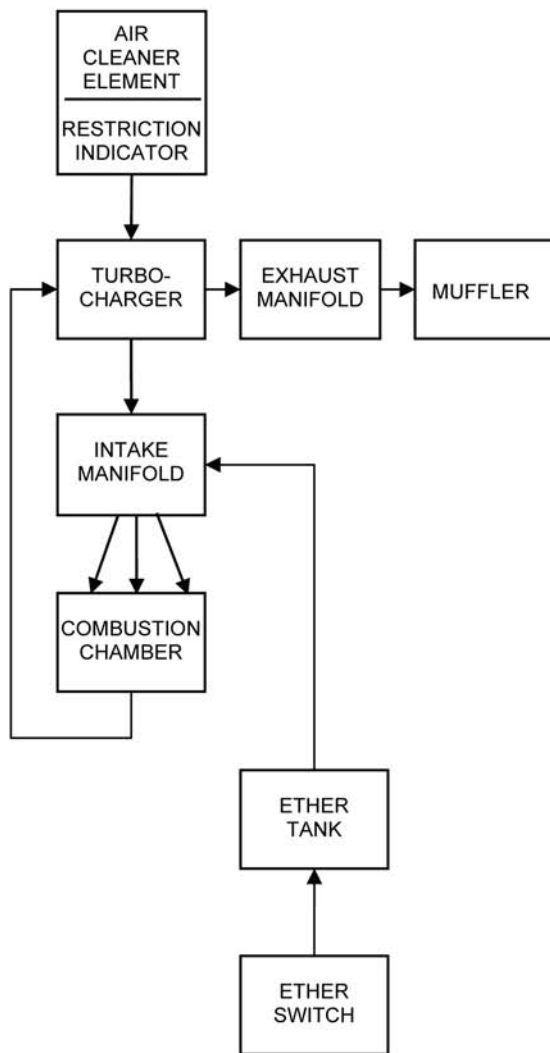


Figure 4. Engine Lubrication System.

## AIR INTAKE AND EXHAUST SYSTEM

The Air Intake and Exhaust System (Figure 5), consists of an air cleaner assembly, intake manifold, turbocharger, exhaust manifold, and muffler. Ambient air is drawn into the air cleaner assembly where it passes through the air cleaner element. Airborne dirt is removed and trapped in the element. A restriction indicator, located on the air cleaner assembly housing, displays red when the air cleaner element should be serviced. Dirt can be removed from the air cleaner housing by pinching an evacuator valve.

Filtered air is drawn out of the air cleaner assembly through air intake tubes to the turbocharger where it is forced into the intake manifold where it passes into the combustion chambers and is mixed with fuel from the injectors.



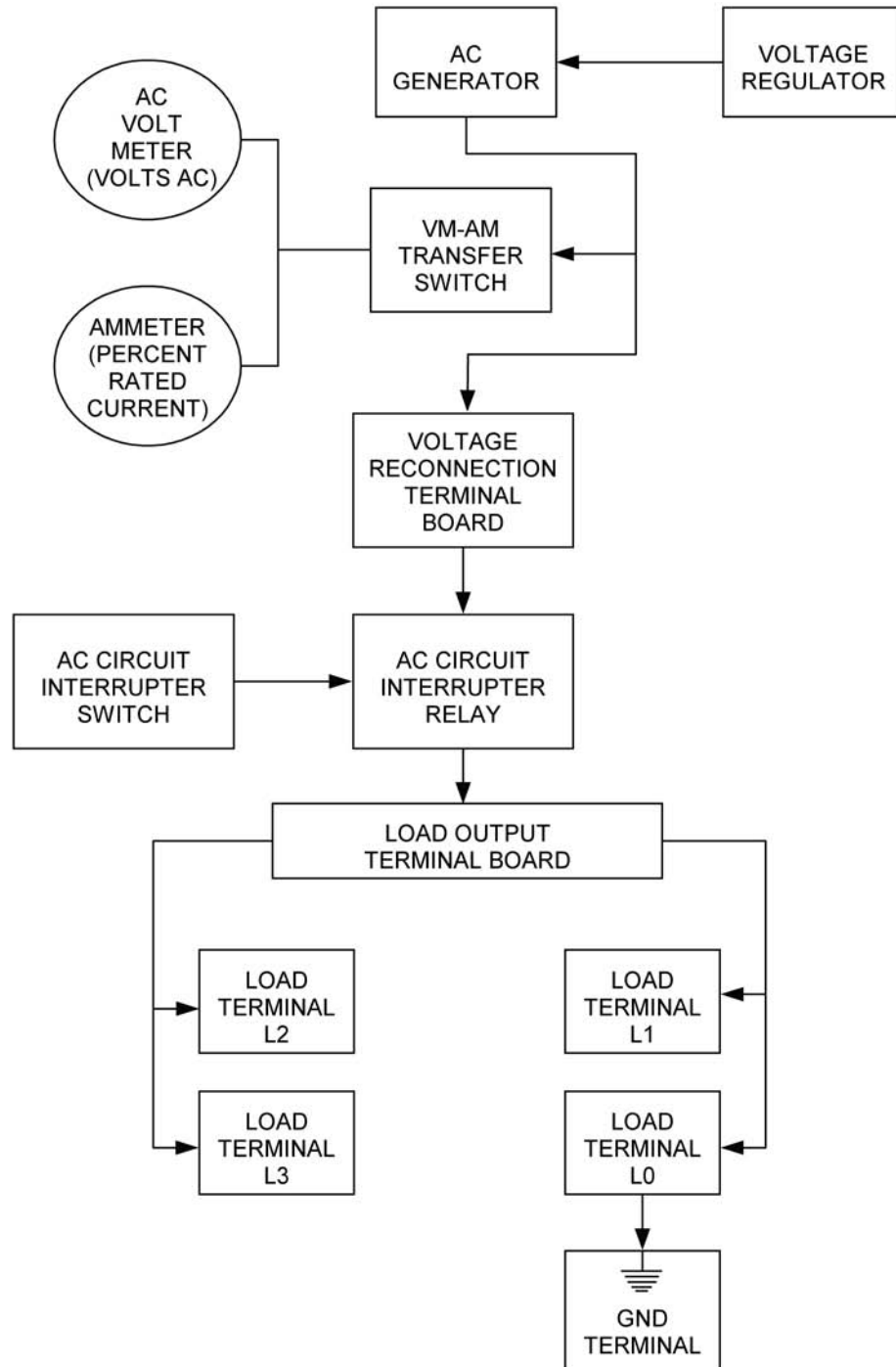
**Figure 5. Air Intake and Exhaust System.**

The engine exhaust gases are released into the turbocharger. The exhaust gases drive the turbocharger forcing large amounts of air into the intake manifold. After passing through the turbocharger, the exhaust gasses are channeled into the muffler that deadens the sound of the exhaust gases. The gases pass from the muffler through the muffler outlet and are vented upward from the generator set housing.

Cold outside temperatures make starting the engine difficult. To improve engine starting at temperatures above  $-25^{\circ}\text{F}$  ( $-31.6^{\circ}\text{C}$ ), a cold weather starting aid has been provided that features an ether injection system. Ether is injected into the combustion chamber when the ETHER switch is ON and the MASTER SWITCH is in the START position. For engine starting at temperatures from  $-50$  to  $-25^{\circ}\text{F}$  ( $-45.5$  to  $-31.6^{\circ}\text{C}$ ), a cold weather starting kit (Winterization Kit) can be installed. See Chapter 6 for Winterization Kit Operating Procedures.

**OUTPUT SUPPLY SYSTEM**

The Output Supply System (Figure 6) consists primarily of the AC generator, the output load terminal board, the voltage reconnection terminal board, the VM-AM transfer switch, and the AC circuit interrupter relay. Power created by the AC generator is supplied through the voltage reconnection terminal board and the AC circuit interrupter relay to the output load terminals on the output load terminal board. The voltage reconnection terminal board allows configuration of the generator set for 120/208 volt connections or 240/416 volt connections.



**Figure 6. Output Supply System.**

The AC CIRCUIT INTERRUPTER switch closes and opens the AC circuit interrupter relay. This enables or interrupts the power flow between the voltage reconnection terminal board and the output load terminals. The AC circuit interrupter relay is also opened automatically during any of the specified set faults. The voltage regulator senses AC generator output voltage and provides control voltage to the AC generator exciter to maintain the desired AC generator output voltage. The position of the VM-AM transfer switch selects the output load terminals from which current and voltage are measured and are indicated on the AC voltmeter (VOLTS AC) and the ammeter (PERCENT RATED CURRENT).

**WINTERIZATION KIT**

See Chapter 6 for Operating Procedures.

**END OF WORK PACKAGE**



**CHAPTER 2**

**OPERATOR INSTRUCTIONS**

**FOR**

**60 kW 50/60 AND 400 Hz SKID MOUNTED TACTICAL  
QUIET GENERATOR SETS**

CHAPTER 2  
OPERATOR INSTRUCTIONS

**WORK PACKAGE INDEX**

---

<u>Title</u>	<u>WP Sequence No.</u>
Description and Use of Operator Controls and Indicators .....	0004
Operation Under Usual Conditions.....	0005
Operation Under Unusual Conditions.....	0006
Emergency Information .....	0007

---

**OPERATOR MAINTENANCE****60 kW 50/60 AND 400 Hz SKID MOUNTED TACTICAL QUIET GENERATOR SETS**  
**DESCRIPTION AND USE OF OPERATOR CONTROLS AND INDICATORS**

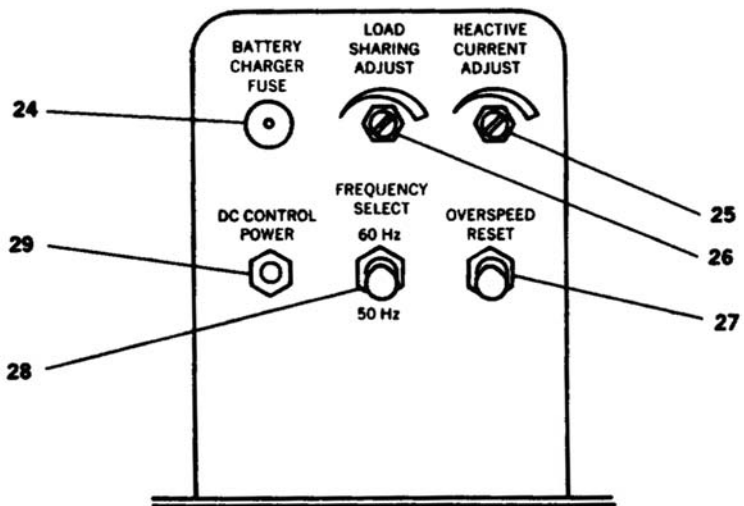
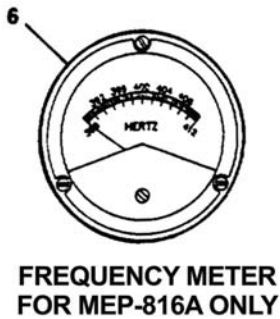
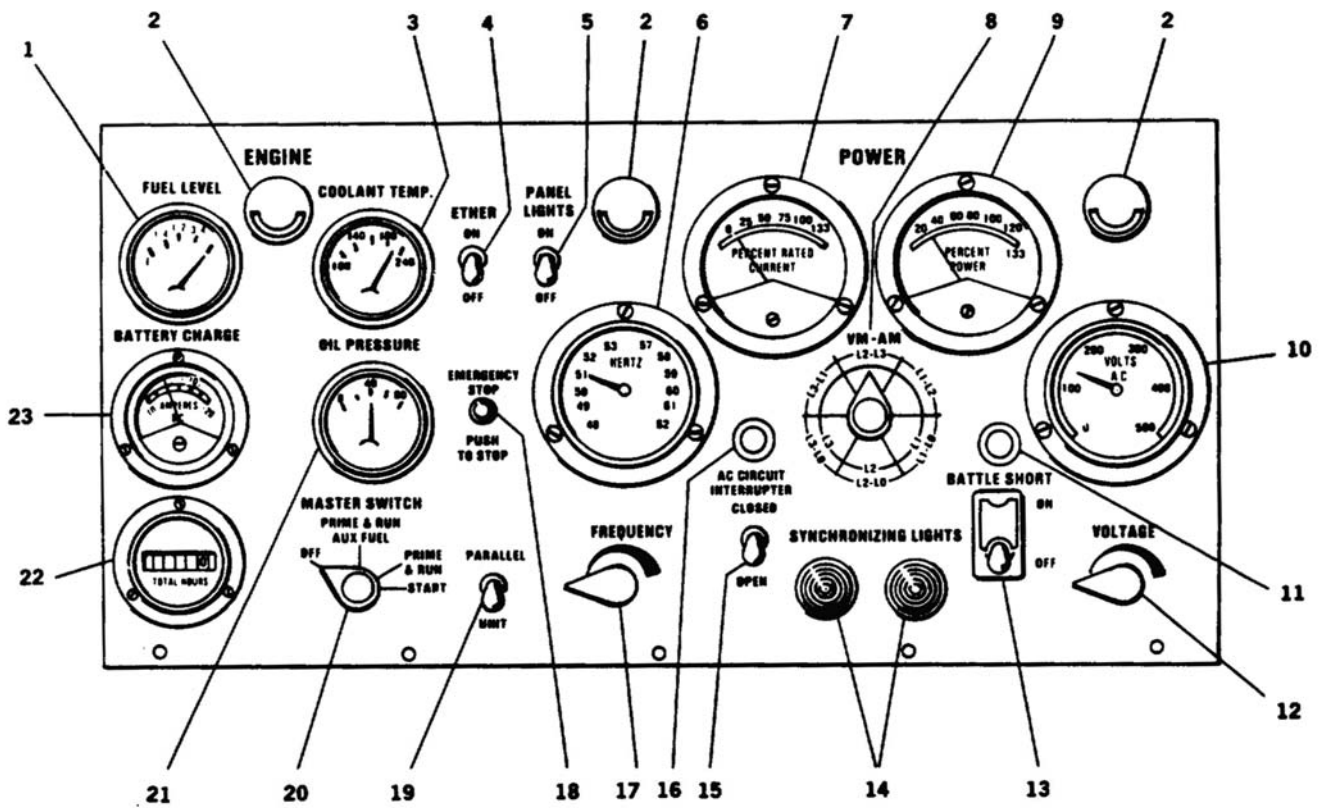
---

**GENERAL**

This work package describes and illustrates the controls and indicators to ensure proper operation of the generator set.

**CONTROL PANEL ASSEMBLY**

The control panel assembly contains most of the operating controls and indicators for the generator set. Figure 1 shows the control panel assembly layout and Table 1 describes each control and indicator.



**CONTROLS BRACKET ASSEMBLY  
(LOCATED BEHIND CONTROL PANEL)**

Figure 1. Control Panel/Controls Bracket Assembly.

**Table 1. Control Panel Controls and Indicators.**

Key	Control/Indicator	Function																					
1.	FUEL LEVEL indicator	Indicates fuel level.																					
2.	Panel lights	Illuminates control panel.																					
3.	COOLANT TEMP indicator	Indicates engine coolant temperature.																					
4.	ETHER switch	Activates or deactivates cold starting aid system.																					
5.	PANEL LIGHTS switch	Activates or deactivates panel lights.																					
6.	FREQUENCY meter (HERTZ)	Indicates generator set output frequency.																					
7.	Ammeter (PERCENT RATED CURRENT)	Indicates generator set load current as a percent of rated current.																					
8.	VM-AM transfer switch	Allows selection of current and voltage readings between output load terminals as follows:																					
		<table border="1"> <thead> <tr> <th>Switch Position</th> <th>Voltage</th> <th>Current</th> </tr> </thead> <tbody> <tr> <td>L1-L0</td> <td>120* 240**</td> <td>L1</td> </tr> <tr> <td>L2-L0</td> <td>120* 240**</td> <td>L2</td> </tr> <tr> <td>L3-L0</td> <td>120* 240**</td> <td>L3</td> </tr> <tr> <td>L1-L2</td> <td>208* 416**</td> <td>NONE</td> </tr> <tr> <td>L2-L3</td> <td>208* 416**</td> <td>NONE</td> </tr> <tr> <td>L1-L3</td> <td>208* 416**</td> <td>NONE</td> </tr> </tbody> </table>	Switch Position	Voltage	Current	L1-L0	120* 240**	L1	L2-L0	120* 240**	L2	L3-L0	120* 240**	L3	L1-L2	208* 416**	NONE	L2-L3	208* 416**	NONE	L1-L3	208* 416**	NONE
Switch Position	Voltage	Current																					
L1-L0	120* 240**	L1																					
L2-L0	120* 240**	L2																					
L3-L0	120* 240**	L3																					
L1-L2	208* 416**	NONE																					
L2-L3	208* 416**	NONE																					
L1-L3	208* 416**	NONE																					
		AC Reconnection Terminal Board Setting * 120/208 ** 240/416																					
9.	Kilowattmeter (PERCENT POWER)	Indicates generator set output power as a percent of rated power.																					
10.	AC Voltmeter (VOLTS AC)	Indicates output voltage of generator set.																					
11.	BATTLE SHORT light	Amber light indicates switch on.																					
12.	VOLTAGE adjust potentiometer	Adjusts generator set voltage.																					
13.	BATTLE SHORT switch	Bypasses protective devices.																					
14.	SYNCHRONIZING LIGHTS	Indicates synchronization of units to be paralleled.																					
15.	AC CIRCUIT INTERRUPTER switch	Opens or closes AC circuit interrupter relay.																					
16.	AC CIRCUIT INTERRUPTER light	Green light indicates AC circuit interrupter is closed.																					
17.	FREQUENCY adjust potentiometer	Adjusts frequency of generator set.																					
18.	EMERGENCY STOP pushbutton	Shuts down generator set.																					
19.	PARALLEL UNIT switch	Energizes or deenergizes paralleling circuits.																					
20.	MASTER SWITCH	OFF - De-energizes all circuits, except panel lights. PRIME & RUN AUX FUEL - Energizes generator set run circuits with auxiliary fuel pump operating. PRIME & RUN - Energizes generator set run circuits with auxiliary fuel system de-energized. START - Energizes starter																					

Table 1. Control Panel Controls and Indicators. - Continued

Key	Control/Indicator	Function
21.	OIL PRESSURE indicator	Indicates oil pressure.
22.	Time meter (TOTAL HOURS)	Indicates total engine operating hours.
23.	BATTERY CHARGE ammeter	Indicates charge/discharge rate of batteries.
24.	BATTERY CHARGER FUSE (Located on controls bracket assembly)	Protects battery charging alternator from overload.
25.	REACTIVE CURRENT ADJUST rheostat (Located on controls bracket assembly)	Adjusts current for load sharing requirements (maintenance personnel only).
26.	LOAD SHARING ADJUST rheostat (Located on controls bracket assembly)	Adjusts power for load sharing requirements (maintenance personnel only).
27.	OVERSPEED RESET switch (Located on controls bracket assembly)	Resets generator set after an overspeed condition (maintenance personnel only).
28.	FREQUENCY SELECT switch (MEP-806A only) (Located on controls bracket assembly)	Allows selection of 50 Hz or 60 Hz.
29.	DC CONTROL POWER circuit breaker (Located on controls bracket assembly)	Energizes or de-energizes DC circuits.

**MALFUNCTION INDICATOR PANEL**

The malfunction indicator panel (Figure 2) is located to the left of the control panel. It contains a series of lights which indicate a generator set failure or abnormal operating condition. Table 2 describes each indicator light.

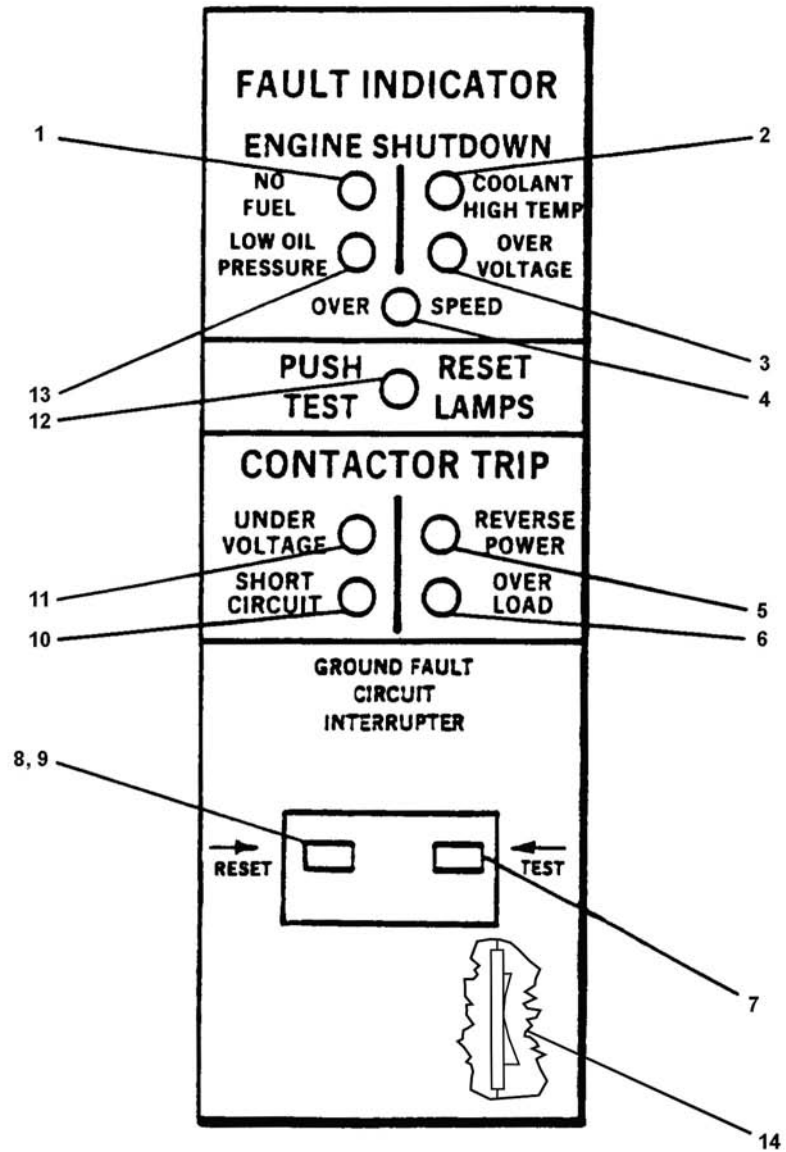


Figure 2. Malfunction Indicator Panel.

Table 2. Malfunction Indicator Panel.

Key	Control/Indicator	Function
1.	NO FUEL indicator	Lights when fuel level in fuel tank is below preset level.
2.	COOLANT HIGH TEMP indicator	Lights when engine coolant temperature exceeds $225\pm 3.5$ °F ( $107\pm 2.1$ °C).
3.	OVERVOLTAGE indicator	Lights when voltage in 120 volt generator coil exceeds $153\pm 3$ volts.
4.	OVERSPEED indicator	Lights when engine speed exceeds $2200\pm 40$ RPM.
5.	REVERSE POWER indicator	Lights when power flow into generator set exceeds $20\pm 3$ percent of rated current.
6.	OVER LOAD indicator	Lights when current in any phase exceeds 110 percent of rated current.
7.	GROUND FAULT CIRCUIT INTERRUPTER TEST pushbutton	Tests GROUND FAULT CIRCUIT INTERRUPTER.
8.	GROUND FAULT CIRCUIT INTERRUPTER indicator	Indicates a ground fault condition.
9.	GROUND FAULT CIRCUIT INTERRUPTER RESET pushbutton	Resets GROUND FAULT CIRCUIT INTERRUPTER.
10.	SHORT CIRCUIT indicator	Lights when generator set output in any phase exceeds $425\pm 25$ percent of rated current.
11.	UNDERVOLTAGE indicator	Lights when voltage in 120 volt generator coil winding drops below $99\pm 4$ VAC.
12.	PUSH TEST RESET LAMPS switch	Tests and resets fault indicator lamps.
13.	LOW OIL PRESSURE indicator	Lights when engine lubrication systems pressure is less than $15\pm 3$ psi ( $103.4\pm 20.7$ kPa) during engine operation.
14.	Convenience Receptacle Overload Circuit Breaker (10-amp in-line fuse on generator sets, contract number DAAK01-88-D-0082)	Circuit breaker trips when load on convenience receptacle exceeds 10 amps (fuse blows on generator sets, contract number DAAK01-88-D-0082).

**END OF WORK PACKAGE**



**OPERATOR MAINTENANCE****60 kW 50/60 AND 400 Hz SKID MOUNTED TACTICAL QUIET GENERATOR SETS****OPERATION UNDER USUAL CONDITIONS****INITIAL SETUP:****Tools and Special Tools**

Generator Mechanicla Tool Kit

**Materials/Parts**

Ground Rod Assembly, ground conductor/cable

**Personnel Required**

One

**References**

FM 5-424

WP 0004

Starting Procedure (WP 0005-6)

Stopping Procedure (WP 0005-7)

WP 0011

**Equipment Condition**

Generator set grounded, off &amp; operational

**GENERAL**

This work package provides information and guidance for generator set operation under normal conditions; refer to FM 5-424.

**ASSEMBLY AND PREPARATION FOR USE****Installation of Ground Rod****WARNING**

All metal jewelry can conduct electricity and become entangled in generator set components. Remove all jewelry when working on generator set. Failure to comply with this warning can cause injury or death to personnel.

**WARNING**

High voltage is produced when generator set is in operation. Never attempt to start the generator set unless it is properly grounded. Do not ground yourself in standing water. Never attempt to connect or disconnect load cables while the generator set is running. Failure to comply may cause injury or death to personnel.

1. Insert ground cable (Figure 1, Item 2) through slot on load output terminal board terminal marked GND (1). Tighten terminal nut.
2. Connect coupling (5) to ground rod (4) and screw driving stud (3) into coupling (5). Make sure that driving stud (3) seats on ground rod (4).
3. Drive ground rod into ground until coupling is just above surface.
4. Remove driving stud and install another section of ground rod.
5. Install another coupling (5) and driving stud (3). Drive ground rod down until new coupling is just above ground surface.
6. Repeat Steps 4 and 5 until ground rod has been driven eight feet or deeper, providing an effective ground.
7. Connect clamp (6) and ground cable (2) to ground rod (4) and tighten clamp screw.

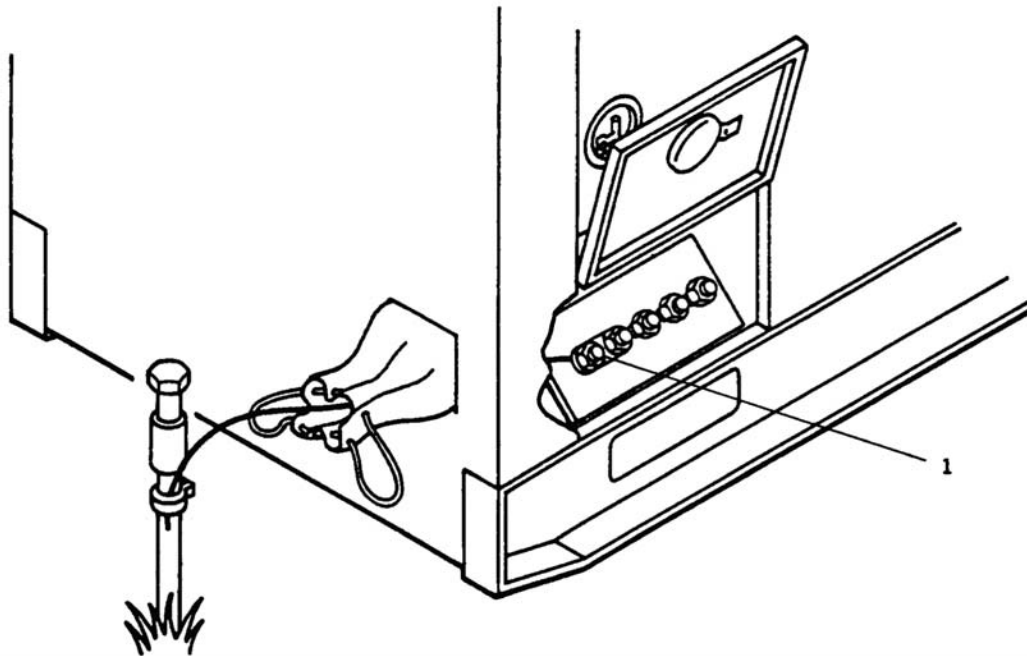
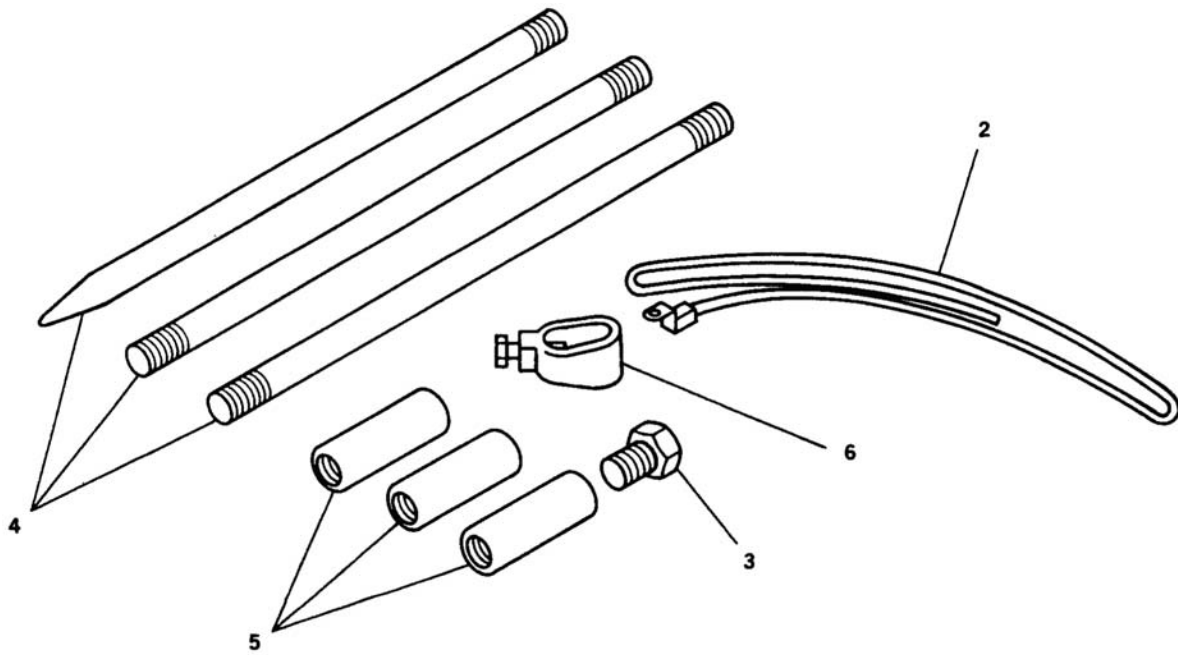


Figure 1. Grounding Connections.

END OF TASK

## Installation of Load Cables

### WARNING

All metal jewelry can conduct electricity and become entangled in generator set components. Remove all jewelry when working on generator set. Failure to comply with this warning can cause injury or death to personnel.

### WARNING



High voltage is produced when generator set is in operation. Never attempt to start the generator set unless it is properly grounded. Do not ground yourself in standing water. Never attempt to connect or disconnect load cables while the generator set is running. Failure to comply may cause injury or death to personnel.

### WARNING

Dangerous voltage exists on live circuits. Always observe precautions and never work alone. Failure to comply with this warning can cause injury or death to personnel.

### WARNING



High voltage is produced when this generator set is in operation. Ensure engine control and DEAD CRANK switches are set to OFF, negative battery cable is disconnected, and unit is completely shut down and free of any power source before attempting any troubleshooting or maintenance on unit. Failure to comply may cause injury or death to personnel.

### CAUTION

Do not connect the load cables to the convenience receptacle. Failure to observe this caution can result in damage to the generator set.

1. Shutdown generator set.
2. Select required output terminals from Table 1.
3. Open output load terminal door.

### WARNING

Jumper will not be removed unless the equipment being powered specifically requires an isolated ground (floating ground). Failure to comply with this warning can cause injury or death to personnel.

4. Ensure that jumper is securely fastened between L0 and ground.
5. Using terminal nut wrench (Figure 2, Item 3) loosen terminal nuts (1) on terminals (2) selected in Step 2.
6. Insert ends of load cables through load cable entrance box. Insert ends of cables into slots of load terminal studs (2).
7. Tighten load terminal nuts (1).
8. Secure wrench (3) in bracket inside load terminal board door, and close door.

### CAUTION

When using single phase connections, always attempt to balance loads between terminals (do not connect all loads between one terminal and L0). Failure to observe this caution can result in damage to the generator set.

Table 1. Load Terminal, AC Reconnection Board and VM-AM Transfer Switch Selection.

RECONNECTION BOARD POSITION	TERMINALS	VM-AM TRANSFER SWITCH POSITION	VOLTAGE READING	CURRENT READING (TERMINAL)
120/208	L1, L2, L3, L0 3 PHASE. (SINGLE PHASE LOADS CAN BE SERVED USING ANY TERMINAL TO L0)	L1 - L0 L2 - L0 L3 - L0 L1 - L2 L2 - L3 L3 - L1	120 VOLTS 120 VOLTS 120 VOLTS 208 VOLTS 208 VOLTS 208 VOLTS	L1 L2 L3 NONE NONE NONE
240/416	L1, L2, L3, L0 3 PHASE. (SINGLE PHASE LOADS CAN BE SERVED USING ANY TERMINAL TO L0)	L1 - L0 L2 - L0 L3 - L0 L1 - L2 L2 - L3 L3 - L1	240 VOLTS 240 VOLTS 240 VOLTS 416 VOLTS 416 VOLTS 416 VOLTS	L1 L2 L3 NONE NONE NONE

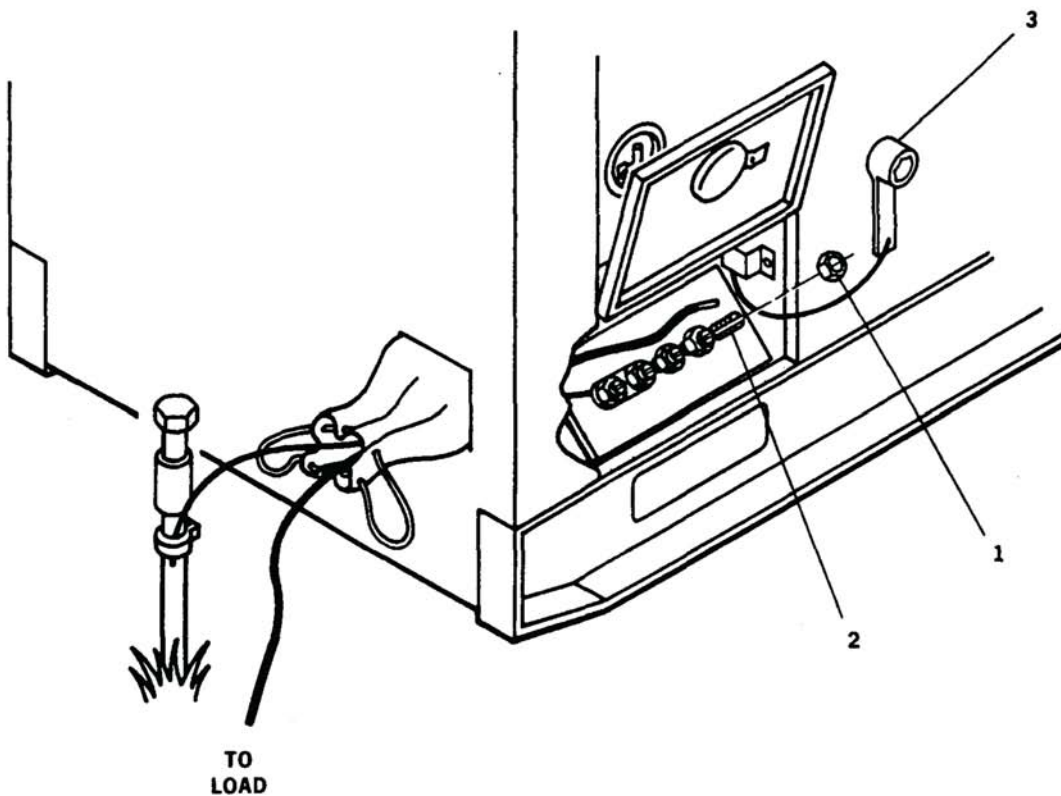


Figure 2. Installation of Load Cables.

END OF TASK

## DAILY CHECKS, INITIAL ADJUSTMENTS AND SELF TEST

### Daily Checks

Perform all before (B) PMCS; refer to WP 0010, Table 1.

### Initial Adjustments

1. Place DEAD CRANK switch in NORMAL position.
2. Push DC CONTROL POWER circuit breaker in.
3. Place FREQUENCY SELECT switch to required position (MEP-806A).
4. Ensure voltage reconnection terminal board is positioned to match voltage requirements. If voltage reconnection terminal board must be changed, notify next higher maintenance level.
5. Place VM-AM transfer switch in a position corresponding to output terminal load connections; refer to Table 1.
6. Place PARALLEL UNIT switch in UNIT position.
7. Pull out Emergency Stop Switch.

### END OF TASK

### Self Test

1. Place MASTER SWITCH to PRIME & RUN position.
2. Push PRESS TO TEST pushbutton on malfunction indicator panel. Ensure all indicator lights are lit. When PRESS TO TEST pushbutton is released, all lights should go out.
3. Press BATTLE SHORT press to test light on the control panel assembly. Ensure indicator light is lit. When press to test light is released, light should go out.
4. Press AC CIRCUIT INTERRUPTER press to test light on the control panel assembly. Ensure indicator light is lit. When press to test light is released light should go out.

### END OF TASK

## OPERATING PROCEDURES

### WARNING



High voltage is produced when generator set is in operation. Never attempt to start the generator set unless it is properly grounded. Do not ground yourself in standing water. Never attempt to connect or disconnect load cables while the generator set is running. Failure to comply may cause injury or death to personnel.

### WARNING

High voltage is produced when the generator set is in operation. DO NOT touch live voltage connections. Never attempt to connect or disconnect load cables or paralleling cables while the generator set is running. Failure to comply with this warning can cause injury or death to personnel.

### WARNING

Exhaust discharge contains deadly gases including carbon monoxide. DO NOT operate generator set in enclosed areas unless exhaust discharge is properly vented outside. Failure to comply with this warning can cause injury or death to personnel.

**NOTE**

If generator set is to be operated in parallel with another unit, refer to PARALLEL UNIT OPERATION (LOAD SHARING).

**Starting Procedure****WARNING**

High voltage is produced when generator set is in operation. Never attempt to start the generator set unless it is properly grounded. Do not ground yourself in standing water. Never attempt to connect or disconnect load cables while the generator set is running. Failure to comply may cause injury or death to personnel.

**WARNING**

Operating the generator set exposes personnel to a high noise level. Hearing protection must be worn when operating or working near the generator set when the generator set is running. Failure to comply with this warning can cause hearing damage to personnel.

**CAUTION**

Do not crank engine in excess of fifteen seconds. Allow starter to cool at least fifteen seconds between attempted starts. Failure to observe this caution could result in damage to the starter.

**NOTE**

At temperatures below 40 °F (4 °C) it may be necessary to use the Cold Weather Starting Aid.

**NOTE**

Ensure all generator set access doors, except control panel access door, are closed.

1. Rotate MASTER SWITCH to START position.
2. In cold weather conditions, push ETHER switch to ON position as required, until engine accelerates to governed speed.

3. Hold MASTER SWITCH in START position until oil pressure reaches at least 25 psi (172 kPa), voltage has increased to its approximate rated value, and engine has reached stable operating speed.
4. Release MASTER SWITCH to PRIME & RUN position.
5. If operating with an auxiliary fuel source, rotate MASTER SWITCH to PRIME & RUN AUX FUEL position.

### NOTE

Warm up engine without load for five minutes. (If required, load can be applied immediately).

6. Check COOLANT TEMP [170-200 °F (77-93 °C)] and OIL PRESSURE [25-60 psi (172-414 kPa)] indicators for normal readings.
7. Turn VOLTAGE and FREQUENCY adjust potentiometers to required values for voltage and frequency.
8. Press GROUND FAULT CIRCUIT INTERRUPTER TEST pushbutton. Ensure indicator window is clear. Press RESET pushbutton and ensure indicator is red.
9. Place AC CIRCUIT INTERRUPTER switch to CLOSED position.
10. Ensure voltage and frequency are still at rated values. Adjust if necessary.
11. Rotate VM-AM transfer switch to each phase position while observing ammeter (PERCENT RATED CURRENT). If more than rated load is indicated in any phase, reduce load.
12. Check kilowattmeter (PERCENT POWER). If indication is more than 100 percent rated load, reduce load.
13. Perform all DURING (D) OPERATION PMCS requirements in accordance with WP 0010, Table 1.

### END OF TASK

#### Stopping Procedure

1. Place AC CIRCUIT INTERRUPTER switch in OPEN position.
2. Allow generator set to operate five minutes with no load applied.
3. Place MASTER SWITCH in OFF position.
4. Perform all AFTER (A) OPERATION PMCS requirements in accordance with WP 0010, Table 1.
5. Place DEAD CRANK switch in OFF position.

### END OF TASK

#### PARALLEL UNIT OPERATION (LOAD SHARING)

### CAUTION

Ensure generator sets are the same size and mode before attempting parallel operation.

#### General

The following method of parallel operation will be used to share the load between two generator sets. Refer to WP 0004, Figure 1 for location of operator controls and indicators mentioned below and Figure 3 for proper paralleling configuration.

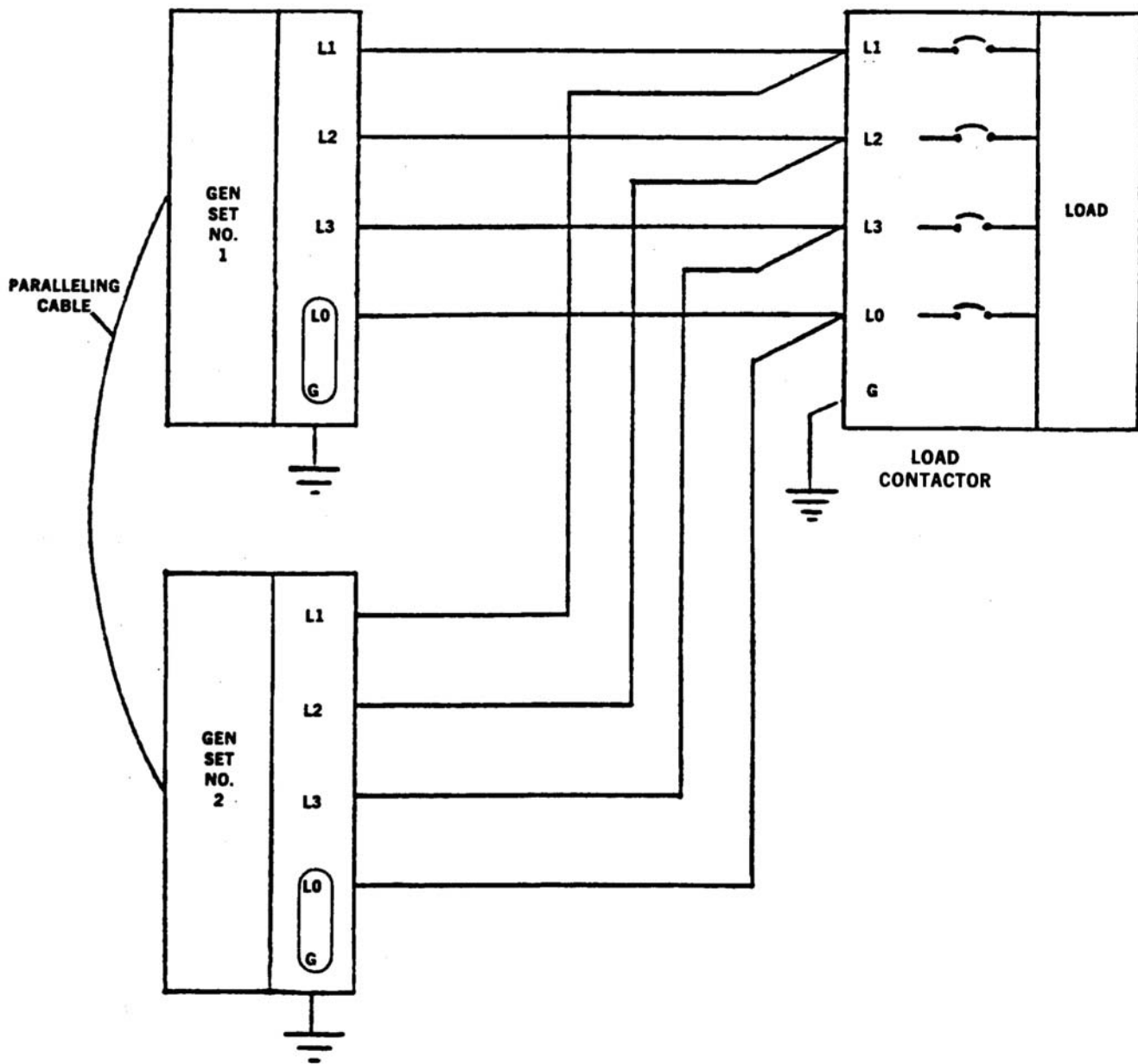


Figure 3. Parallel Operation Setup.

Pre-Operation

**WARNING**



High voltage is produced when this generator set is in operation. Ensure engine control and DEAD CRANK switches are set to OFF, negative battery cable is disconnected, and unit is completely shut down and free of any power source before attempting any troubleshooting or maintenance on unit. Failure to comply may cause injury or death to personnel.



**WARNING**

Dangerous voltage exists on live circuits. Always observe precautions and never work alone. Failure to comply with this warning can cause injury or death to personnel.

1. Ensure that load requirement is equal or below the combined rated capacity of the two generator sets.

**WARNING**

High voltage is produced when generator set is in operation. Never attempt to start the generator set unless it is properly grounded. Do not ground yourself in standing water. Never attempt to connect or disconnect load cables while the generator set is running. Failure to comply may cause injury or death to personnel.

2. Determine voltage requirements of load and position voltage reconnection terminal boards of the two generator sets to the required voltage connection. Ensure FREQUENCY SELECT switch (MEP-806A) for both generator sets are positioned for the same load requirements.
3. Identify one generator set as No. 1 and the other as No. 2.
4. Remove paralleling cable from storage box located inside battery compartment access door.
5. Connect the paralleling cable between the two generator sets. Connect the generator sets to the load observing the proper phase polarity.

**CAUTION**

Do not close the AC CIRCUIT INTERRUPTER switch on either of the generator sets, nor close the load contactor at load until specifically directed to do so. Closing any of these devices at any other time may severely damage one or both of the generator sets.

**END OF TASK****Operation**

1. Start each generator set; refer to Starting Procedure.
2. Rotate both VOLTAGE adjust potentiometers to obtain the same voltage indication on each set.
3. Rotate both FREQUENCY adjust potentiometers to obtain the same frequency indication on both sets. Ensure load contactor at load is open.
4. Position and hold AC CIRCUIT INTERRUPTER switch, on generator set No. 1, to CLOSED until indicator lights.
5. Place the UNIT-PARALLEL switch on both units in PARALLEL position.

**CAUTION**

If synchronizing lights on generator set No. 2 do not glow bright and dark in unison, the phasing is wrong. Shut down generator sets and check that load cables are connected properly. Failure to observe this caution can result in damage to generator sets.

**WARNING**

Power is available when the main contactor is open. Avoid accidental contact. Failure to comply with this warning can cause injury or death to personnel.

6. Observe synchronizing lights on generator set No. 2. The lights should be glowing bright and dark in unison.
7. Adjust frequency of generator set No. 2 until synchronizing lights glow bright and dark in unison at 2 to 3 second intervals.

**CAUTION**

Check that load contactor at load is open before attempting to place generator sets on line. Failure to observe this caution can result in damage to generator sets.

8. When both synchronizing lights are dark, position and hold AC CIRCUIT INTERRUPTER switch of generator set No. 2 to the CLOSED position until indicator lights.

### NOTE

The generator sets are now operating in parallel with no load.

9. Rotate FREQUENCY adjust potentiometer of generator set No. 1 until kilowattmeter (PERCENT POWER) indicates approximately "0".
10. Rotate the VOLTAGE adjust potentiometer of generator set No. 1 until ammeter (PERCENT RATED CURRENT) reads approximately "0".
11. Close the load contactor at the load.

### NOTE

If the REVERSE POWER indicator of either generator set lights, and the AC Circuit Interrupter relay opens, open the load contactor at load and resynchronize the generator sets. (Repeat the necessary Steps 4 through 11 above.)

12. Compare ammeter (PERCENT RATED CURRENT) readings of both generator sets. If readings are not within 10 percent, notify next higher level of maintenance.
13. Compare kilowattmeter (PERCENT POWER) readings of both generator sets. If readings are not within 10 percent, notify next higher level of maintenance.

### END OF TASK

### Removal from Parallel Operation

### WARNING

High voltage is produced when the generator set is in operation. DO NOT touch live voltage connections. Never attempt to connect or disconnect load cables or paralleling cables while the generator set is running. Failure to comply with this warning can cause injury or death to personnel.

### WARNING

If it is necessary to move a generator set which has been operating in parallel with another generator set, shut down remaining generator set connected to the load, prior to removing load and ground cables. Failure to comply with this warning can cause injury or death to personnel.

### CAUTION

Prior to removal of generator set from parallel operation, make sure load does not exceed full load rating of generator set remaining on line. Failure to observe this caution can result in damage to generator set.

1. Position AC CIRCUIT INTERRUPTER switch to OPEN until indicator goes out.
2. Return UNIT-PARALLEL switch to UNIT position.
3. Refer to Stopping Procedure to stop generator set.

### END OF TASK

### DECALS AND INSTRUCTION PLATES

There are identification and instruction plates on the generator set. Figure 4 through Figure 18 show the location and contents of each plate on the generator set.

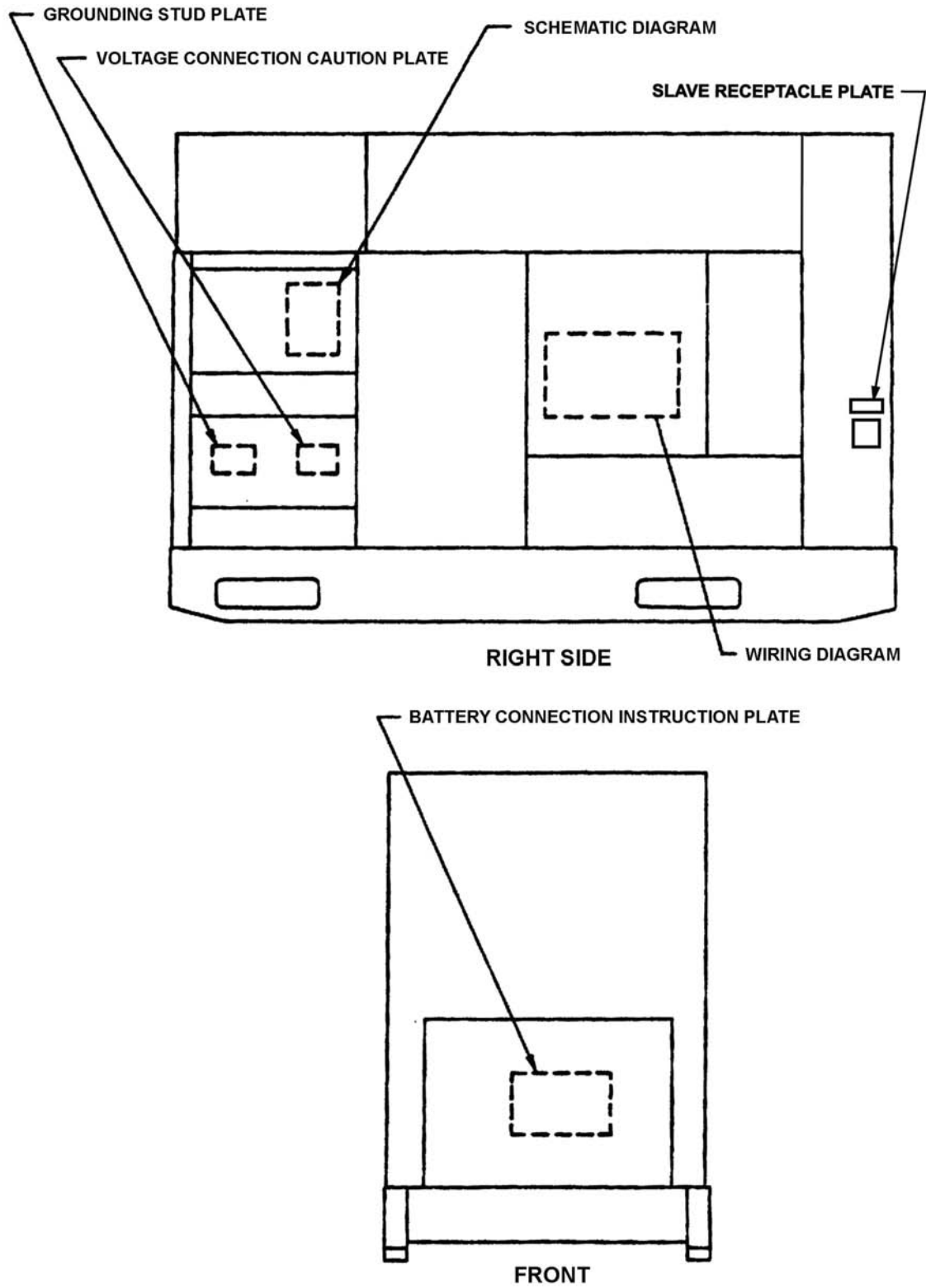


Figure 4. Operating Instructions Plates (Front and Right Side).

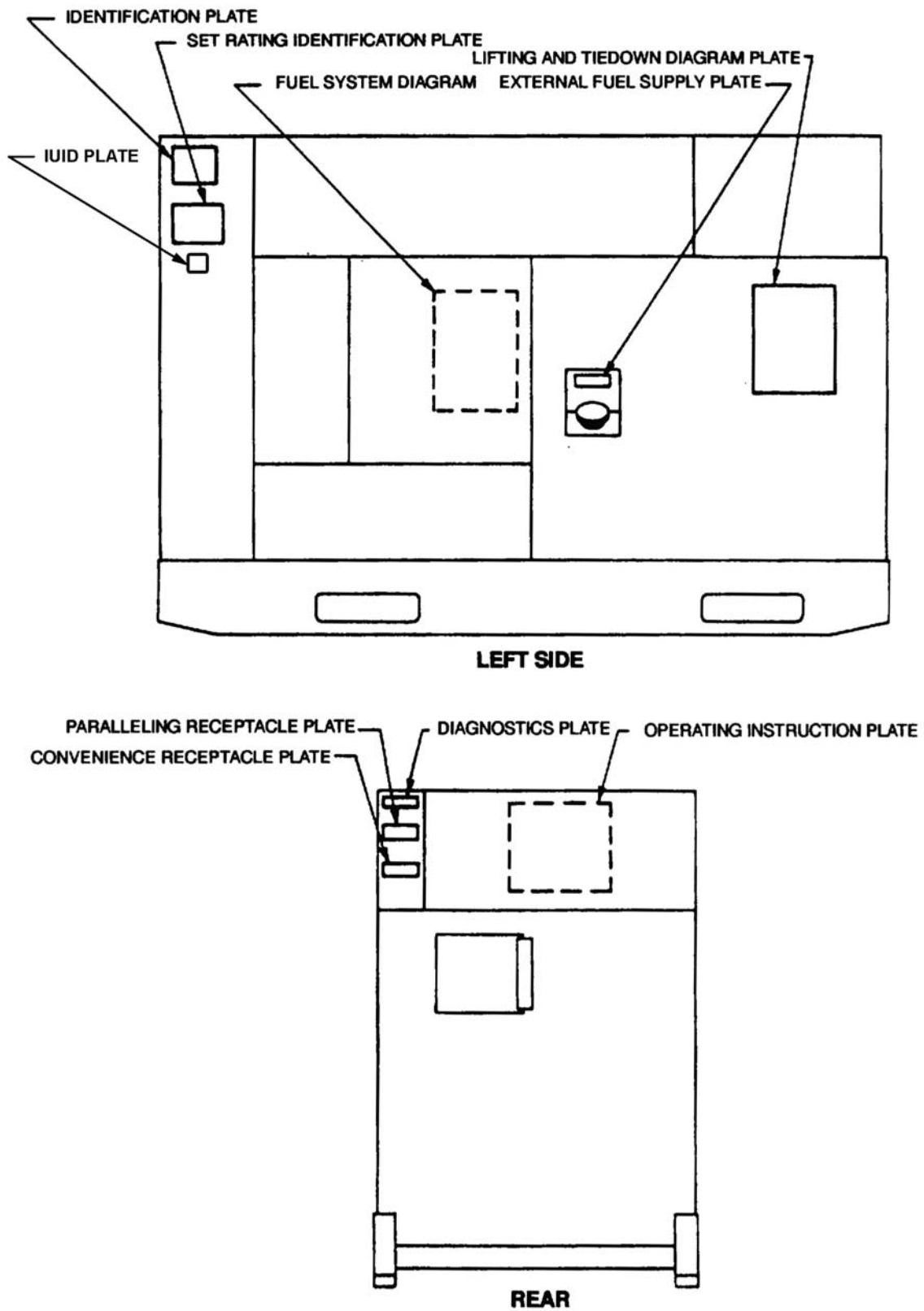


Figure 5. Operating Instructions Plates (Rear and Left Side).

**OPERATING**

**WARNING:**

- A. TO AVOID SHOCK HAZARD SET FRAME MUST BE GROUNDED. CONNECT AWG. NO. 6 WIRE OR LARGER FROM GROUND TERMINAL (GND) TO EARTH GROUND.
- B. BATTERY NEGATIVE TERMINAL IS CONNECTED TO GROUND.
- C. IDLING OF THE ENGINE AT SPEEDS SLOWER THAN THOSE ATTAINABLE THROUGH THE CONTROLS MAY RESULT IN DAMAGE TO ELECTRICAL COMPONENTS.

**1. PRESTART CHECKS**

- A. CHECK RADIATOR COOLANT, ENGINE LUBE OIL, FUEL, AND BATTERY ELECTROLYTE LEVEL.
- B. CHECK FUEL-WATER SEPARATOR, DRAIN WATER IF PRESENT.
- C. PLACE CONTROL SWITCHES TO OFF OR EQUIVALENT POSITION.
- D. PLACE FREQUENCY SELECTOR SWITCH LOCATED WITHIN THE CONTROL BOX IN DESIRED POSITION (50 HZ OR 60 HZ).

**2. NORMAL START (TEMPERATURE ABOVE -25° F)**

- A. CRANK THE ENGINE BY PLACING THE MASTER SWITCH IN THE START POSITION. DO NOT CRANK FOR CONTINUOUS PERIODS LONGER THAN 15 SECONDS.
- B. AT TEMPERATURES BELOW APPROXIMATELY 40° F IT MAY BE NECESSARY TO USE THE ETHER PRIMER. WHILE CRANKING THE ENGINE (HOLD MASTER SWITCH IN START POSITION), PUSH THE ETHER PRIMER SWITCH AS REQUIRED TO ACCELERATE THE ENGINE TO GOVERNED SPEED.
- C. HOLD MASTER SWITCH IN START POSITION UNTIL OIL PRESSURE BUILDS UP TO AT LEAST 25 PSI THEN RELEASE TO PRIME & RUN POSITION.
- D. ADJUST VOLTAGE AND FREQUENCY TO PROPER VALUES. IF NECESSARY, RESET FAULT INDICATOR LIGHTS.
- E. UNDER NORMAL CONDITIONS RUN ENGINE AT NO LOAD FOR 5 MINUTES FOR WARM UP. IF REQUIRED, LOAD CAN BE APPLIED IMMEDIATELY.
- F. CLOSE THE AC CIRCUIT INTERRUPTER BY PLACING THE AC CIRCUIT INTERRUPTER SWITCH IN THE CLOSED POSITION.

**3. STOPPING THE SET**

- A. REMOVE LOAD BY PLACING THE AC CIRCUIT INTERRUPTER SWITCH IN OPEN POSITION.
- B. ALLOW ENGINE TO OPERATE FOR APPROXIMATELY 5 MINUTES AT NO LOAD.
- C. STOP UNIT BY PLACING MASTER SWITCH IN OFF POSITION.

**INSTRUCTIONS**

**4. PARALLEL OPERATION (2 OR MORE LIKE SETS)**

- A. MAKE CONNECTIONS BETWEEN SETS AND LOAD AS DESCRIBED IN THE OPERATING MANUAL.
- B. CONNECT PARALLELING CABLE.
- C. START UNITS NO. 1 AND NO. 2 PER STARTING INSTRUCTIONS.
- D. ADJUST VOLTAGE AND FREQUENCY TO DESIRED VALUE (MUST BE SAME ON BOTH UNITS).
- E. CLOSE AC CIRCUIT INTERRUPTER ON UNIT NO. 1 ONLY.
- F. PLACE UNIT-PARALLEL SWITCH ON BOTH SETS IN PARALLEL POSITION.
- G. OBSERVE SYNCHRONIZING LIGHTS ON UNIT NO. 2 WHICH SHOULD BE ALTERNATELY GLOWING DARK AND BRIGHT IN UNISON. ADJUST FREQUENCY OF UNIT NO. 2 SLIGHTLY AS NECESSARY TO CAUSE LIGHTS TO SLOWLY GLOW BRIGHT AND DARK IN UNISON.
- H. WHEN BOTH LAMPS ARE DARK, CLOSE THE AC CIRCUIT INTERRUPTER ON UNIT NO. 2. (THE UNITS ARE NOW OPERATING IN PARALLEL AND SHOULD APPROXIMATELY DIVIDE KILOWATT LOAD AND CURRENT EQUALLY.)

**5. REFER TO APPLICABLE TECHNICAL MANUAL FOR ADDITIONAL INFORMATION ON MAINTENANCE AND TROUBLESHOOTING PROCEDURES.**

**SERVICE INSTRUCTIONS**

FUEL AND OIL			COOLANT	
AMBIENT TEMPERATURE	DIESEL FUEL	LUBRICATING OIL	AMBIENT TEMPERATURE	RADIATOR COOLANT
+20°F TO +120°F	A-A-52557	MIL-L-2104C OE HDO-30	+40°F TO +120°F	WATER MIL-A-53009
0°F TO +20°F	A-A-52557	MIL-L-2104C OE HDO-10	-25°F TO +120°F	WATER A-A-52624
-25°F TO 0°F	A-A-52557	MIL-L-46167	-25°F TO +120°F	A-A-52624
-25°F TO 0°F	A-A-52557	MIL-L-46167		

**SYSTEM CAPACITY**

FUEL TANK	LUBRICATING OIL		COOLING SYSTEM	
	CRANKCASE	FILTERS	RADIATOR AND OVERFLOW	BLOCK
43 GALLONS	FULL 18 QTS.	LOW 17 QTS. FILTERS DRAIN TO CRANKCASE -0- QTS.	9.5 QTS.	11 QTS.

NOTE: FOR OPERATION USING JP4, JP5, OR JP8 FUEL REFER TO APPLICABLE OPERATING INSTRUCTION MANUAL.

30554-88-21671

Figure 6. Operating Instructions Plate.

U.S. DEPARTMENT OF DEFENSE  
NATO STANDARD OTAN

GENERATOR SET, DIESEL ENGINE 60KW 50/60 HZ

MODEL MEP-806 A NSN 6115-01-274-7390  
SER NO. RZJ REG NO.   
TM 9-6115-645-10 NAVFAC 9-6115-645-10  
TO 35C2-3-444-11 TM 09244A/09245A-10/A

VOLTS 120/208V 3PH  
208/416V 3PH

AMPS 208, 104 PF 0.8

DRY WT 3556 LB LG .87 IN W 35.7 IN HGT 59 IN

DATE MFD   
CONTR NO. DAAK01-88-D-0082

WARRANTY   
DATE INSP   
MFD BY LIBBY CORP INSP STAMP

U.S. DEPARTMENT OF DEFENSE  
NATO STANDARD OTAN

GENERATOR SET, DIESEL ENGINE 60KW 400 HZ

MODEL MEP-816A NSN 6115-01-274-7395  
SER NO. MEP-816A REG NO.   
TM 9-6115-645-10 NAVFAC 9-6115-645-10  
TO 35C2-3-444-11 TM 09244A/09245A-10/A

VOLTS 120/208V 3PH  
208/416V 3PH

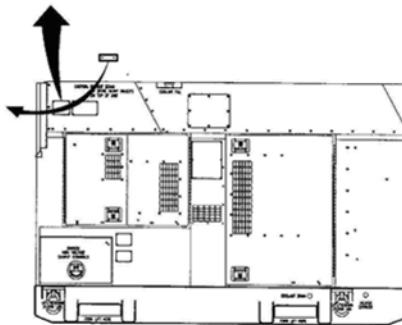
AMPS 208, 104 PF 0.8

DRY WT 3606 LB LG .87 IN W 35.7 IN HGT 59 IN

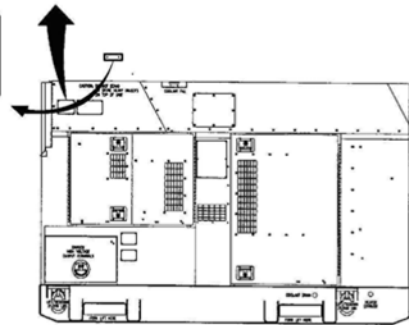
DATE MFD   
CONTR NO. DAAK01-88-D-0082

WARRANTY   
DATE INSP   
MFD BY LIBBY CORP INSP STAMP

(17V) 30554   
(P) MEP-806A   
(20S) Z220230



(17V) 30554   
(P) MEP-816A   
(20S) Z220230



U.S. DEPARTMENT OF DEFENSE  
NATO STANDARD OTAN

GENERATOR SET, DIESEL ENGINE 60KW 50/60 HZ

MODEL MEP-806 A NSN 6115-01-274-7390  
SER NO. FZ REG NO.   
TM 9-6115-645-10 NAVFAC 9-6115-645-10  
TO 35C2-3-444-11 TM 09244A/09245A-10/A

VOLTS 120/208V 3PH  
208/416V 3PH

AMPS 208, 104 PF 0.8

DRY WT 3556 LB LG .87 IN W 35.7 IN HGT 59 IN

DATE MFD   
CONTR NO. DAAK01-94-D-0036

WARRANTY   
DATE INSP   
MFD BY FERMONT DIV INSP STAMP

U.S. DEPARTMENT OF DEFENSE  
NATO STANDARD OTAN

GENERATOR SET, DIESEL ENGINE 60KW 400 HZ

MODEL MEP-816A NSN 6115-01-274-7395  
SER NO. FZ REG NO.   
TM 9-6115-645-10 NAVFAC 9-6115-645-10  
TO 35C2-3-444-11 TM 09244A/09245A-10/A

VOLTS 120/208V 3PH  
208/416V 3PH

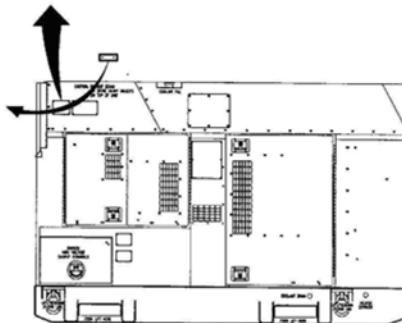
AMPS 208, 104 PF 0.8

DRY WT 3606 LB LG .87 IN W 35.7 IN HGT 59 IN

DATE MFD   
CONTR NO. DAAK01-94-D-0036

WARRANTY   
DATE INSP   
MFD BY FERMONT DIV INSP STAMP

(17V) 30554   
(P) MEP-806A   
(20S) Z220230



(17V) 30554   
(P) MEP-816A   
(20S) Z220230

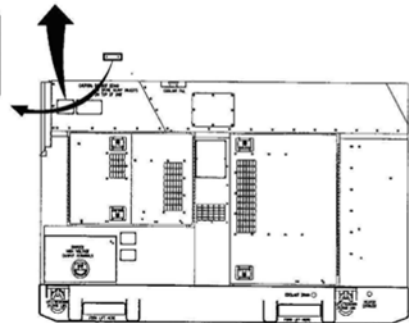


Figure 7. Identification Plates.

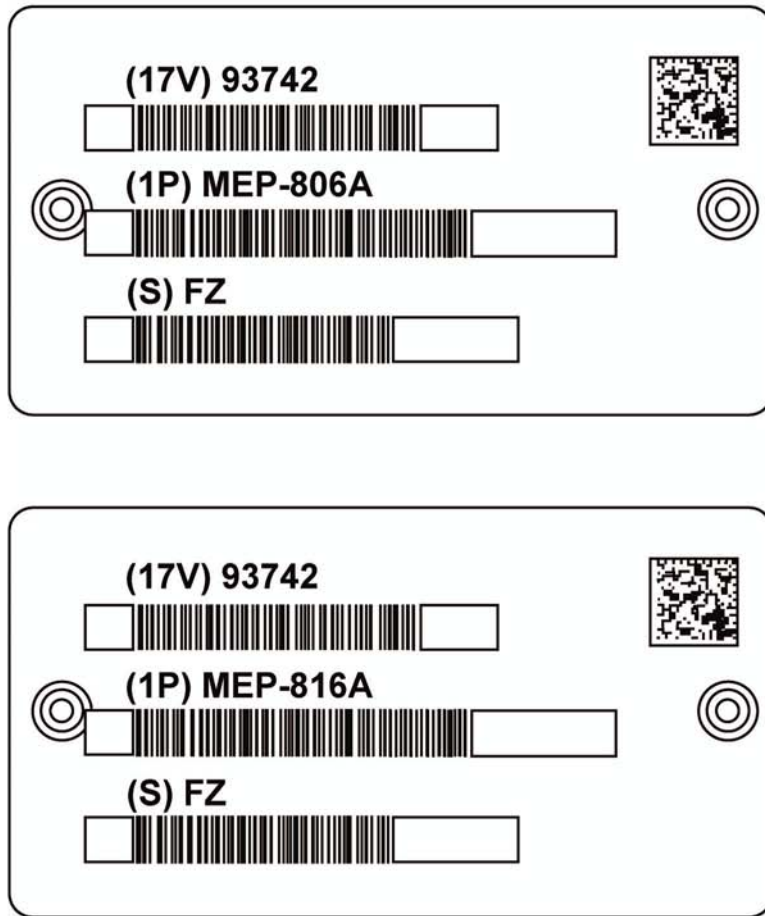


Figure 8. IUID Identification Plates.

GENERATOR SET, DIESEL FUELED TACTICAL QUIET MODE I (50/60 HERTZ), SIZE 60 (60 KW)										
KW CAPACITY			PF	FREQ	FUEL	OUTPUT VOLTAGE 3PH, 4W	VOLTAGE ADJUST RANGE	CURRENT CAPACITY AMPS		
120 DEG F S/L	95 DEG F 4000 FT	95 DEG F 8000 FT								
60.0	60.0	51.6	80	60	DF1/DF2/DFA	120/208	197-240	208		
60.0	60.0	51.6	80	60	DF1/DF2/DFA	240/416	395-480	104		
50.0	50.0	43.0	80	50	DF1/DF2/DFA	120/208	190-213	172		
50.0	50.0	43.0	80	50	DF1/DF2/DFA	240/416	380-428	84		
60.0	60.0	51.6	80	60	JPS/JP8	120/208	197-240	208		
60.0	60.0	51.6	80	60	JPS/JP8	240/416	395-480	104		
50.0	50.0	43.0	80	50	JPS/JP8	120/208	190-213	172		
50.0	50.0	43.0	80	50	JPS/JP8	240/416	380-428	84		
KW CAPACITY			PF	FREQ	FUEL	OUTPUT VOLTAGE 3PH, 4W	VOLTAGE ADJUST RANGE	CURRENT CAPACITY AMPS		
100 DEG F S/L	100 DEG F 3000 FT									
51.0	51.0	-	80	60	JP4	120/208	197-240	176		
51.0	51.0	-	80	60	JP4	240/416	395-480	88		
42.5	42.5	-	80	50	JP4	120/208	190-213	144		
42.5	42.5	-	80	50	JP4	240/416	380-428	72		

30554-88-21821-05

GENERATOR SET, DIESEL FUELED TACTICAL QUIET MODE II (400 HERTZ), SIZE 60 (60 KW)										
KW CAPACITY			PF	FREQ	FUEL	OUTPUT VOLTAGE 3PH, 4W	VOLTAGE ADJUST RANGE	CURRENT CAPACITY AMPS		
120 DEG F S/L	95 DEG F 4000 FT	95 DEG F 8000 FT								
60.0	60.0	51.6	80	400	DF1/DF2/DFA	120/208	197-229	208		
60.0	60.0	51.6	80	400	DF1/DF2/DFA	240/416	395-458	104		
60.0	60.0	51.6	80	400	JP5/JP8	120/208	197-229	208		
60.0	60.0	51.6	80	400	JP5/JP8	240/416	395-458	104		
KW CAPACITY			PF	FREQ	FUEL	OUTPUT VOLTAGE 3PH, 4W	VOLTAGE ADJUST RANGE	CURRENT CAPACITY AMPS		
100 DEG F S/L	100 DEG F 3000 FT									
51.0	51.0	-	80	400	JP4	120/208	197-229	176		
51.0	51.0	-	80	400	JP4	240/416	395-458	88		

30554-88-21821-06

Figure 9. Set Rating Identification Plates.

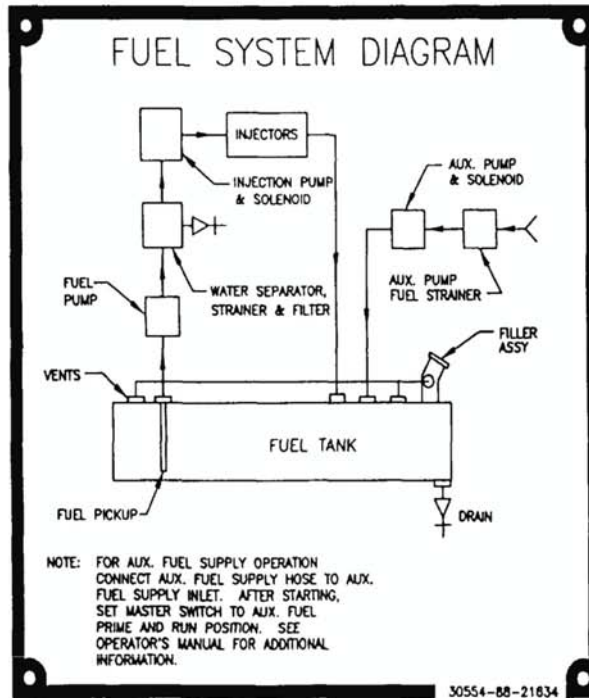


Figure 10. Fuel System Diagram Plate.

**CAUTION**  
 TO AVOID DAMAGE  
 TO THE LOAD  
 FIRST CHECK VOLTAGE,  
 FREQUENCY AND PHASE  
 REQUIREMENTS OF THE  
 USING EQUIPMENT.

30554-88-20110

Figure 11. Voltage Connection Caution Plate.



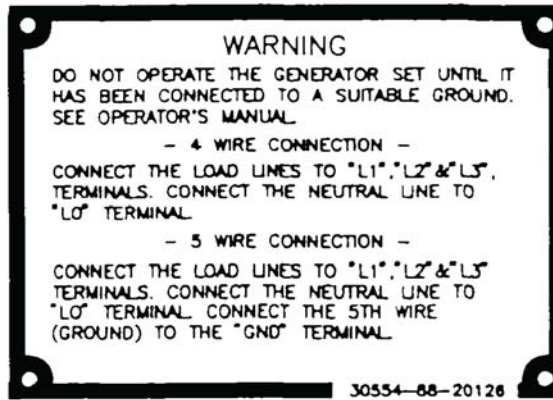


Figure 12. Grounding Stud Plate.

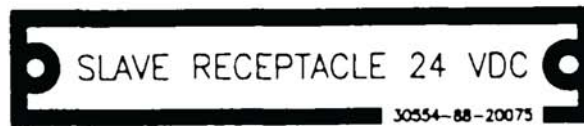


Figure 13. NATO Slave Receptacle Plate.

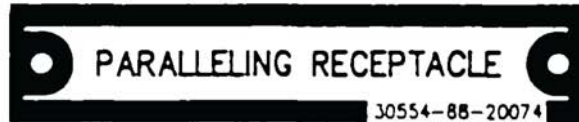


Figure 14. Paralleling Receptacle Plate.

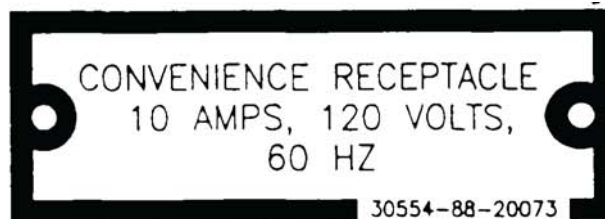


Figure 15. Convenience Receptacle Plate.



Figure 16. External Fuel Supply Plate.

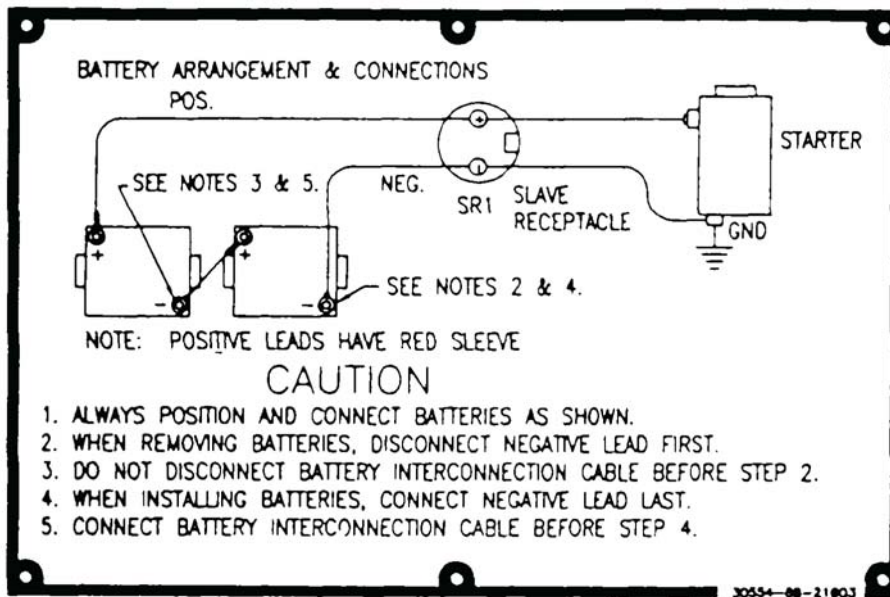


Figure 17. Battery Connection Instruction Plate.

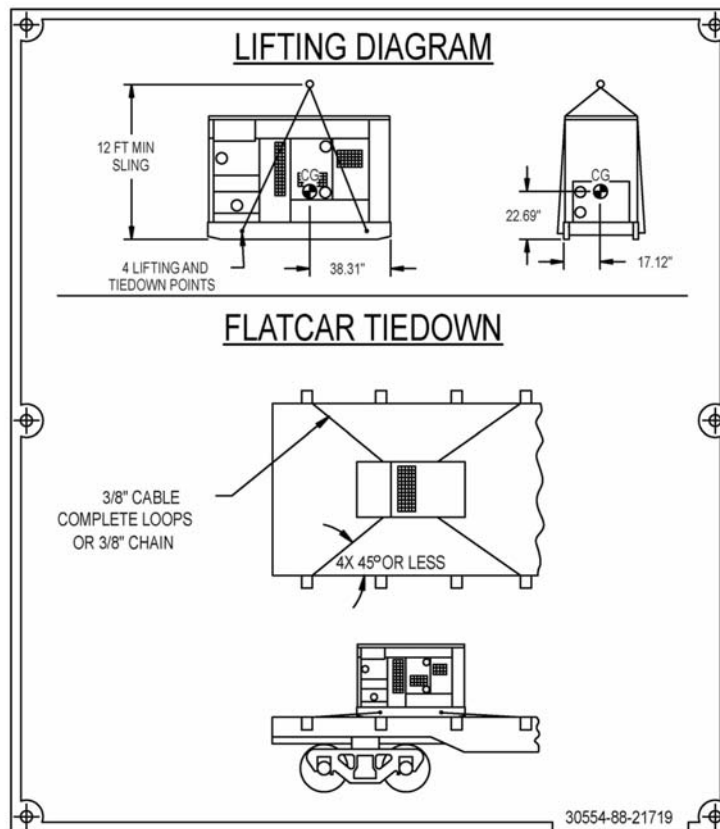


Figure 18. Lifting and Tiedown Diagram Plate.



Figure 19. Diagnostics Plate.

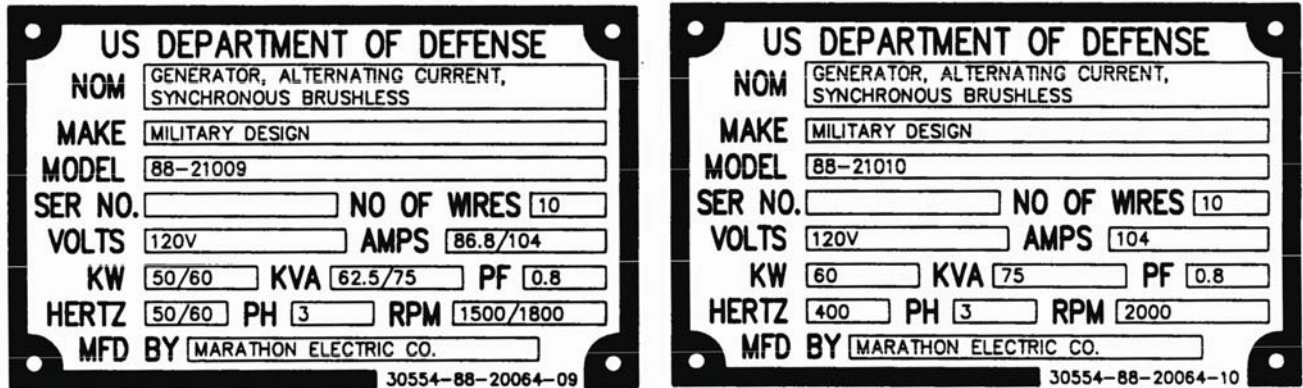


Figure 20. Generator Identification Plates.

#### PREPARATION FOR MOVEMENT

1. Shut down generator set; refer to Stopping Procedure. If generator set is operating in parallel, refer to Removal from Parallel Operation.
2. Disconnect load cables.
3. Disconnect paralleling cable, if used, and store in storage box.
4. When using auxiliary fuel line, disconnect line, drain excess fuel from line and store line in storage box.
5. Disconnect ground cable and remove ground rods. Store ground rods in holding clips located inside housing left side generator set. Store cable and couplings in storage box.
6. Secure all generator set access doors and panels.
7. For assembly and preparation for use, refer to Assembly and Preparation for Use at the beginning of this work package.

#### END OF TASK

#### END OF WORK PACKAGE



**OPERATOR MAINTENANCE****60 kW 50/60 AND 400 Hz SKID MOUNTED TACTICAL QUIET GENERATOR SETS****OPERATION UNDER UNUSUAL CONDITIONS**

---

**INITIAL SETUP:****Tools and Special Tools**

Generator Mechanical Tool Kit

**Materials/Parts**

Antifreeze Coolant

**Personnel Required**

One

**References**

FM 3-11.3, FM 3-11.4 &amp; FM 3-11.5

WP 0005, Starting Procedures

**Equipment Condition**Generator set grounded, off & operational

---

**UNUSUAL ENVIRONMENT / WEATHER****OPERATION IN EXTREME COLD WEATHER BELOW -25 °F (-31 °C)**

The generator set operates in ambient temperatures as low as -25 °F (-31 °C) without special winterization equipment. To ensure satisfactory operation under extreme cold weather the following steps must be taken:

**WARNING**

All metal jewelry can conduct electricity and become entangled in generator set components. Remove all jewelry when working on generator set. Failure to comply with this warning can cause injury or death to personnel.

**WARNING**

High voltage is produced when the generator set is in operation. DO NOT touch live voltage connections. Never attempt to connect or disconnect load cables or paralleling cables while the generator set is running. Failure to comply with this warning can cause injury or death to personnel.

1. Keep generator set and surrounding area as free of ice and snow as practical.
2. Keep fuel tank full to protect against moisture, condensation, and accumulation of water.
3. Ensure that proper grade diesel fuel is used.
4. Keep batteries free from corrosion and in a well charged condition.

**END OF TASK****OPERATION IN EXTREME HEAT ABOVE 120 °F (48.8 °C)**

1. Check vents and radiator air passages frequently for obstructions.
2. Check coolant temperature indicator frequently for any indication of overheating.
3. Allow sufficient space for fuel expansion when filling fuel tank.
4. Keep generator set clean and free of dirt. Clean obstructions from generator set intake and outlet screens.
5. Clean external surface of engine when generator set is not operating.

**END OF TASK****OPERATION IN DUSTY OR SANDY AREAS**

1. If possible, provide a shelter for generator set. Use available natural barriers to shield generator set from blowing dust or sand.
2. Wet down dusty and sandy surface areas around generator set frequently if water is available.
3. Keep all access doors closed, as much as possible, to prevent entry of dust and sand into housing assembly.
4. Wipe dust and sand frequently from the generator set external surface and components. Wash exterior surfaces frequently with clean water when generator set is not operating.
5. Service engine air cleaner assembly frequently to compensate for intake of additional dust or sand.
6. Drain sediment frequently from fuel filter/water separator. When servicing fuel tank be careful to prevent dust or sand from entering fuel tank.
7. Change engine oil and oil filter frequently.
8. Store oil and fuel in dust-free containers.
9. Ensure that generator set ground connections are free of dust and sand and connections are tight before starting the unit.

#### **END OF TASK**

#### **OPERATION UNDER RAINY OR HUMID CONDITIONS**

##### **CAUTION**

Failure to remove waterproof material before operating generator set could result in equipment damage.

1. If possible, provide a shelter for generator set. Cover generator set with canvas or other waterproof material when it is not being operated.
2. Provide adequate drainage to prevent water from accumulating on operation site.
3. Keep all generator set access doors closed, as much as possible, to prevent entry of water into housing assembly.
4. Drain water frequently from fuel filter/water separator.

##### **WARNING**

Dangerous voltage exists on live circuits. Always observe precautions and never work alone. Failure to comply with this warning can cause injury or death to personnel.

5. Remove moisture from generator set components before and after each operating period.
6. Keep fuel tank full to protect against moisture, condensation and accumulation of water.

#### **END OF TASK**

#### **OPERATION IN SALT WATER AREAS**

##### **CAUTION**

Failure to remove waterproof material before operating generator set could result in equipment damage.

1. If possible, provide a shelter for the generator set. Locate generator set so that radiator faces into prevailing winds. Use natural barriers or, if possible, construct a barrier to protect generator set from salt water. Cover generator set with canvas or other waterproof material when it is not being operated.
2. Keep all generator access doors closed, as much as possible, to prevent entry of salt water into housing assembly.
3. Wash exterior surfaces frequently with clean water when generator set is not operating.
4. Check wiring connections for corrosion and wire insulation for signs of deterioration.

**END OF TASK****OPERATION AT HIGH ALTITUDES**

The generator set will operate at elevations up to 4000 feet (1219.1 meters) above sea level without special adjustment or reduction in load. At elevations greater than 4000 feet (1219.1 meters) above sea level, the kilowatt rating is reduced approximately 3.5 percent for each additional 1000 feet (304.8 meters).

**END OF TASK****INTERIM NUCLEAR, BIOLOGICAL, AND CHEMICAL (NBC) DECONTAMINATION PROCEDURES****OPERATION WHILE IN CONTAMINATED AREAS**

The generator set is capable of being operated by personnel wearing chemical, biological, radiological, or nuclear, (CBRN) protective clothing without special tools or supporting equipment. Refer to FM 3-11.5, CBRN Decontamination for information on decontamination procedures. Specific procedures for the generator set are the following:

1. Control panel indicators sealing gasket, rubber sleeves, and rope draw cords at output terminal access ports, control panel door gaskets, access door gaskets, rubber tubing, and belts within the engine compartment, coverings for electrical conduits, external water drain tubing, and retaining cords for slave receptacle covers will absorb and retain chemical agents. Replacement of these items is the recommended method of decontamination.
2. Lubricants, fuel, coolant, or battery fluids may be present on the external surfaces of the generator set or components due to leaks or normal operation. These fluids will absorb NBC agents. The preferred method of decontamination is removal of these fluids using conventional decontamination methods in accordance with FM 3-11.5.
3. Continued decontamination of external generator set surfaces with supertropical bleach (STB)/decontamination solution number 2 (DS2) will degrade clear plastic indicator coverings to a point where reading indicators will become impossible. This problem will become more evident for soldiers wearing protective masks. Therefore, the use of STB or DS2 decontamination in these areas should be minimized. Indicators should be decontaminated with warm soapy water.
4. External surfaces of the control panel that are marked with painted or stamped lettering will not withstand repeated decontamination with STB or DS2 without degradation of this lettering. Therefore, the recommended method of decontamination for these areas is with warm soapy water.
5. Areas that will entrap contaminants, making efficient decontamination extremely difficult, include the following:
  - a. Exposed heads of screws.
  - b. Areas adjacent to and behind exposed wiring conduits.
  - c. Hinged areas or access doors.
  - d. Retaining chains for external receptacle covers.
  - e. Areas around the tie-down/lifting rings, crevices around access doors, external screens covering ventilation areas, the external oil drain valve, and areas adjacent to the external fuel drain valve.
  - f. Areas behind knobs and switches on the control panel, externally mounted equipment specification data plates, external receptacle covers, access doors, access door locking mechanisms, recessed wells for access door handles, fuel cap, load terminal board, slave receptacles, and frequency adjustment controls.

**NOTE**

Replacement of these items, if available, is the preferred method of decontamination. Conventional methods of decontamination should be used on these areas, while stressing the importance of thoroughness and the probability of some degree of continuing contact and vapor hazard.

6. In an CBRN contaminated environment, the generator set should be operated with all access doors closed to reduce the effects of contamination.
7. The use of overhead shelters or chemical protective covers is recommended as an additional means of protection against contamination in accordance with FM 3-11.5. However, if using covers, care should be taken to provide adequate space for air flow and exhaust.
8. For additional CBRN information, refer to FM 3-11.3 and FM 3-11.4.

**END OF TASK****USE OF THE CONVENIENCE RECEPTACLE****WARNING**

Power is available when the main contactor is open. Avoid accidental contact. Failure to comply with this warning can cause injury or death to personnel.

**CAUTION**

The maximum power rating for the convenience receptacle is 10 Amps. Continuous operation above 10 Amps can result in damage to the generator set.

1. Start the generator set if it is not operating; refer to WP 0005, Starting Procedure.
2. Ensure the load does not exceed the maximum rating.
3. Reset the Ground Fault Circuit Interrupter.
4. Plug appropriate connector into convenience receptacle.

**END OF TASK****END OF WORK PACKAGE**





**OPERATOR MAINTENANCE**

**60 kW 50/60 AND 400 Hz SKID MOUNTED TACTICAL QUIET GENERATOR SETS**

**EMERGENCY INFORMATION**



**INITIAL SETUP:**

**Materials/Parts**

- Coolant (WP 0016, Table 1, Item 8)
- Oil (WP 0016, Table 1, Item 4)
- Gloves
- Cloth (WP 0016, Table 1, Item 7)
- Fuel

**Personnel Required**

One



**References**

- WP 0005, Operation Under Usual Conditions
- WP 0009, Trouble Shooting Procedures
- WP 0012, Generator Set Servicing and Inspection
- LO 9-6115-645-12



**NATO SLAVE RECEPTACLE START OPERATION**

**WARNING**

All metal jewelry can conduct electricity and become entangled in generator set components. Remove all jewelry when working on generator set. Failure to comply with this warning can cause injury or death to personnel.



**WARNING**

High voltage is produced when the generator set is in operation. DO NOT touch live voltage connections. Never attempt to connect or disconnect load cables or paralleling cables while the generator set is running. Failure to comply with this warning can cause injury or death to personnel.



**General**

The NATO slave receptacle can be used to start the generator set when batteries are discharged.



**NATO Slave Emergency Starting Procedure**

1. Connect one end of NATO slave cable to fully charged 24 VDC system and other end to discharged generator set's NATO SLAVE RECEPTACLE.
2. Start discharged generator set; refer to WP 0005, Starting Procedure.
3. Remove NATO slave cable after generator set starts.





X

**OPERATION USING BATTLE SHORT SWITCH**

X

**CAUTION**

Continued operation using the BATTLE SHORT switch can result in damage to the generator set.

X

**NOTE**

If any emergency situation requires continued operation of the generator set, the BATTLE SHORT switch is used to override all protection devices and EMERGENCY STOP functions.

X

**NOTE**

BATTLE SHORT switch must be OFF to start the generator set.

X

1. Start generator set if set is not running; refer to WP 0005, Starting Procedure.
2. Lift cover on BATTLE SHORT switch and position switch to ON position.

**CAUTION**

If the OVERSPEED light on the malfunction indicator panel is illuminated, position the AC circuit interrupter to the OPEN position until indicator goes out on each set.

X

**END OF TASK**

X

**END OF WORK PACKAGE**

X

X

X

X



**CHAPTER 3**

**OPERATOR TROUBLESHOOTING PROCEDURES**

**FOR**

**60 kW 50/60 AND 400 Hz SKID MOUNTED TACTICAL**

**QUIET GENERATOR SETS**

CHAPTER 3  
OPERATOR TROUBLESHOOTING PROCEDURES

**WORK PACKAGE INDEX**

---

<u>Title</u>	<u>WP Sequence No.</u>
Troubleshooting Index.....	0008
Troubleshooting Procedures .....	0009

## OPERATOR MAINTENANCE

### 60 kW 50/60 AND 400 Hz SKID MOUNTED TACTICAL QUIET GENERATOR SETS

#### TROUBLESHOOTING INDEX

### GENERAL

This section lists common malfunctions you may find during operation of the generator set. You should perform the tests/inspections and corrective actions in the order listed observing all notes, cautions and warnings.

This manual cannot list all malfunctions that may occur, nor all tests or inspections and corrective actions. If a malfunction is not listed or is not corrected by listed corrective actions, notify your supervisor.

### NOTE

Air Force users and Marine Corps users may perform maintenance only as authorized.

<u>Malfunction/Symptom</u>	<u>Troubleshooting Procedure</u>
<b>ENGINE</b>	
Fails to crank	1
Cranks but fails to start	2
Starts but stops when MASTER SWITCH is released from START position	3
Stops suddenly	4
Runs erratically or misfires	5
Does not develop full power	6
Knocks	7
<b>EXHAUST SYSTEM</b>	
Blue or white exhaust smoke	8
Black exhaust smoke	9
<b>LUBRICATION SYSTEM</b>	
Low oil pressure	10
<b>COOLING SYSTEM</b>	
COOLANT TEMPERATURE indicator Indicates engine overheating	11
<b>ELECTRICAL SYSTEM</b>	
BATTERY CHARGE ammeter shows low or no charge	12
BATTERY CHARGE ammeter shows excessive charging after prolonged operation	13
AC voltmeter (VOLTS AC) indicates low voltage	14
AC voltmeter (VOLTS AC) indicates correct voltage, but frequency meter (HERTZ) is off scale	15
AC voltmeter (VOLTS AC) fluctuates	16
Frequency meter (HERTZ) fluctuates	17
AC CIRCUIT INTERRUPTER light fails to light when AC CIRCUIT INTERRUPTER switch is closed	18
SYNCHRONIZING LIGHTS fail to light	19

**TROUBLESHOOTING INDEX - Continued**

<b><u>Malfunction/Symptom</u></b>	<b><u>Troubleshooting Procedure</u></b>
SYNCHRONIZING LIGHTS on generator set No. 2 do not glow bright and dark in unison during parallel operation	20
AC CIRCUIT INTERRUPTER light fails to come on generator set No. 2 in parallel operation	21
No voltage at the Convenience Receptacle	22
<b>END OF WORK PACKAGE</b>	

## OPERATOR MAINTENANCE

### 60 kW 50/60 AND 400 Hz SKID MOUNTED TACTICAL QUIET GENERATOR SETS TROUBLESHOOTING PROCEDURES

#### INITIAL SETUP:

##### References

LO 9-6115-645-12  
WP 0002  
WP 0004  
WP 0005  
WP 0013  
WP 0014  
WP 0015  
WP 0016  
WP 0017

##### Equipment Condition

Generator grounded, off & operational

#### WARNING

All metal jewelry can conduct electricity and become entangled in generator set components. Remove all jewelry when working on generator set. Failure to comply with this warning can cause injury or death to personnel.

#### WARNING



High voltage is produced when this generator set is in operation. Ensure engine control and DEAD CRANK switches are set to OFF, negative battery cable is disconnected, and unit is completely shut down and free of any power source before attempting any troubleshooting or maintenance on unit. Failure to comply may cause injury or death to personnel.

#### WARNING



High voltage is produced when generator set is in operation. Never attempt to start the generator set unless it is properly grounded. Do not ground yourself in standing water. Never attempt to connect or disconnect load cables while the generator set is running. Failure to comply may cause injury or death to personnel.

#### MALFUNCTION

1. ENGINE FAILS TO CRANK.

##### TEST OR INSPECTION

Step 1. Check that DEAD CRANK switch is in the NORMAL position.

##### CORRECTIVE ACTION

Place switch in NORMAL position.

##### TEST OR INSPECTION

Step 2. Check that DC CONTROL POWER circuit breaker is energized (in).

##### CORRECTIVE ACTION

If DC CONTROL POWER circuit breaker is de-energized (out), go to Step 4.

##### TEST OR INSPECTION

Step 3. Check that Emergency Stop Switch is out.

**TEST OR INSPECTION**

Step 4. Defect in Engine Starting/Electrical System. Check battery connections.

**CORRECTIVE ACTION**

If loose or corroded, notify next higher maintenance level.

**MALFUNCTION**

2. ENGINE CRANKS BUT FAILS TO START.

**TEST OR INSPECTION**

Step 1. Cold ambient temperature.

**CORRECTIVE ACTION**

If ambient temperature is below 40 °F (4 °C) turn MASTER SWITCH to START and position ETHER switch to ON; refer to WP 0005, Starting Procedure.

**TEST OR INSPECTION**

Step 2. Check for dirty air cleaner element.

**CORRECTIVE ACTION**

Service air cleaner assembly; refer to WP 0014, Servicing.

**TEST OR INSPECTION**

Step 3. Check for dirty fuel filter/water separator.

**CORRECTIVE ACTION**

Service fuel filter/water separator; refer to WP 0017, Servicing. If engine still fails to start, notify next higher maintenance level.

**MALFUNCTION**

3. ENGINE STARTS BUT STOPS WHEN MASTER SWITCH IS RELEASED FROM START POSITION.

**TEST OR INSPECTION**

Step 1. Check for proper starting procedure.

**CORRECTIVE ACTION**

Hold MASTER SWITCH in START position until 25 psi (172 kPa) is reached; refer to WP 0005, Starting Procedure.

**TEST OR INSPECTION**

Step 2. Check to see if any FAULT INDICATOR lights are lit.

**CORRECTIVE ACTION**

NO FUEL light is lit; refer to WP 0015, Servicing. If any other lights are lit, notify next higher maintenance level.

**MALFUNCTION**

4. ENGINE STOPS SUDDENLY.

**TEST OR INSPECTION**

Step 1. Check to see if any FAULT INDICATOR lights are lit.

**CORRECTIVE ACTION**

NO FUEL light is lit; refer to WP 0015, Servicing. If any other lights are lit, go to Step 2.



**TEST OR INSPECTION**

Step 2. Check that DC CONTROL POWER circuit breaker is energized (in).

**CORRECTIVE ACTION**

If DC CONTROL POWER circuit breaker is de-energized (out), notify next higher maintenance level.

**MALFUNCTION**

5. ENGINE RUNS ERRATICALLY OR MISFIRES.

**TEST OR INSPECTION**

Step 1. Check for dirty air cleaner element.

**CORRECTIVE ACTION**

Service air cleaner assembly; refer to WP 0014, Servicing.

**TEST OR INSPECTION**

Step 2. Check for contaminated fuel.

**CORRECTIVE ACTION**

Service fuel filter/water separator; refer to WP 0017, Servicing.

**TEST OR INSPECTION**

Step 3. Check for improper type of fuel.

**CORRECTIVE ACTION**

If improper type of fuel is suspected, refer to WP 0016, Table 1, notify next higher maintenance level.

**MALFUNCTION**

6. ENGINE DOES NOT DEVELOP FULL POWER.

**TEST OR INSPECTION**

Step 1. Check for dirty air cleaner element.

**CORRECTIVE ACTION**

Service air cleaner assembly; refer to WP 0014, Servicing.

**TEST OR INSPECTION**

Step 2. Check for contaminated fuel.

**CORRECTIVE ACTION**

Service fuel filter/water separator; refer to WP 0017, Servicing.

**TEST OR INSPECTION**

Step 3. Check for restricted exhaust system.

**CORRECTIVE ACTION**

Make sure exhaust opening is free from obstructions. If no obstructions are found, notify next higher maintenance level.

**TEST OR INSPECTION**

Step 4. Check for improper type of fuel.

**CORRECTIVE ACTION**

If improper type of fuel is suspected, refer to WP 0016, Table 1, notify next higher maintenance level.

**MALFUNCTION**

## 7. ENGINE KNOCKS.

**TEST OR INSPECTION**

Step 1. Check for low lubrication oil level.

**CORRECTIVE ACTION**

If necessary add oil; refer to LO 9-6115-645-12.

**TEST OR INSPECTION**

Step 2. Check for loose parts or foreign objects in engine compartment.

**CORRECTIVE ACTION**

If no loose parts or foreign objects are found, go to Step 3.

**TEST OR INSPECTION**

Step 3. Check for improper type of fuel.

**CORRECTIVE ACTION**

If improper type of fuel is suspected, refer to WP 0016, Table 1, notify next higher maintenance level.

**MALFUNCTION**

## 8. BLUE OR WHITE EXHAUST SMOKE.

**TEST OR INSPECTION**

Check for improper type of fuel.

**CORRECTIVE ACTION**

If improper type of fuel is suspected, refer to WP 0016, Table 1, notify next higher maintenance level.

**MALFUNCTION**

## 9. BLACK EXHAUST SMOKE.

**TEST OR INSPECTION**

Step 1. Check for improper type of fuel.

**CORRECTIVE ACTION**

If improper type of fuel is suspected, refer to WP 0016, Table 1, notify next higher maintenance level.

**TEST OR INSPECTION**

Step 2. Check for dirty air cleaner element.

**CORRECTIVE ACTION**

Service air cleaner assembly; refer to WP 0014, Servicing.

**TEST OR INSPECTION**

Step 3. Check for generator set overload.

**CORRECTIVE ACTION**

Check for generator set overload by checking the ammeter (PERCENT RATED CURRENT) and the kilowattmeter (PERCENT POWER) on the control panel assembly; refer to WP 0004, Figure 1. If unable to adjust, notify next higher maintenance level.

**MALFUNCTION**

## 10. LOW OIL PRESSURE.

**TEST OR INSPECTION**

Step 1. Check for low lubrication oil level.

**CORRECTIVE ACTION**

If necessary add oil; refer to LO 9-6115-645-12.

**TEST OR INSPECTION**

Step 2. Check for high coolant temperature, above 200 °F (93 °C); refer to WP 0004, Figure 1.

**CORRECTIVE ACTION**

If coolant temperature is high, go to Step 3.

**TEST OR INSPECTION**

Step 3. Check coolant level.

**CORRECTIVE ACTION**

If low, add coolant; refer to WP 0015, Servicing. If full, go to Step 4.

**TEST OR INSPECTION**

Step 4. Check for obstruction in air intake system.

**CORRECTIVE ACTION**

If obstructions are found, remove debris. If no obstructions are found, go to Step 5.

**TEST OR INSPECTION**

Step 5. Check for loose fan belts.

**CORRECTIVE ACTION**

If loose, notify next higher maintenance level.

**MALFUNCTION****11. COOLANT TEMPERATURE INDICATOR INDICATES ENGINE OVERHEATING.****TEST OR INSPECTION**

Step 1. Check for generator set overload.

**CORRECTIVE ACTION**

Check for generator set overload by checking the ammeter (PERCENT RATED CURRENT) and the kilowattmeter (PERCENT POWER) on the control panel assembly; refer to WP 0004, Figure 1. If unable to adjust, notify next higher maintenance level.

**TEST OR INSPECTION**

Step 2. Check coolant level.

**CORRECTIVE ACTION**

If low, add coolant; refer to WP 0015, Servicing. If full, go to Step 3.

**TEST OR INSPECTION**

Step 3. Check for low lubrication oil level.

**CORRECTIVE ACTION**

If necessary add oil; refer to LO 9-6115-645-12. If full, go to Step 4.

**TEST OR INSPECTION**

Step 4. Check for obstruction in air intake system.

**CORRECTIVE ACTION**

If obstructions are found, remove debris. If no obstructions are found, go to Step 5.

**TEST OR INSPECTION**

Step 5. Check for loose fan belts.

**CORRECTIVE ACTION**

If loose, notify next higher maintenance level.

**MALFUNCTION**

12. BATTERY CHARGE AMMETER SHOWS LOW OR NO CHARGE.

**TEST OR INSPECTION**

Step 1. Check BATTERY CHARGER FUSE.

**CORRECTIVE ACTION**

If BATTERY CHARGER FUSE (WP 0004, Figure 1) is blown, notify next higher maintenance level.

**TEST OR INSPECTION**

Step 2. Check fan belts.

**CORRECTIVE ACTION**

If loose (WP 0002, Figure 1), notify next higher maintenance level.

**TEST OR INSPECTION**

Step 3. Check for loose or broken wires.

**CORRECTIVE ACTION**

Check for loose or broken wires at the back of the battery charging alternator (WP 0002, Figure 1) and BATTERY CHARGE ammeter (WP 0004, Figure 1). If wires are loose or broken, notify next higher maintenance level.

**MALFUNCTION**

13. BATTERY CHARGE AMMETER SHOWS EXCESSIVE CHARGING AFTER PROLONGED OPERATION.

**TEST OR INSPECTION**

Step 1. Check batteries for low electrolyte level.

**CORRECTIVE ACTION**

If low, refer to WP 0013, Servicing. If level is correct, go to Step 2.

**TEST OR INSPECTION**

Step 2. Check battery connections.

**CORRECTIVE ACTION**

If loose or corroded, notify next higher maintenance level.

**MALFUNCTION**

14. AC VOLTMETER (VOLTS AC) INDICATES LOW VOLTAGE.

**TEST OR INSPECTION**

Step 1. Check that VM-AM transfer switch position corresponds to readings on the AC voltmeter (VOLTS AC); refer to WP 0005, Table 1.

**CORRECTIVE ACTION**

Set VOLTAGE adjust potentiometer.

**TEST OR INSPECTION**

Step 2. Check for loose or broken wires at back of VM-AM transfer switch, VOLTAGE adjust potentiometer, and AC voltmeter (VOLTS AC).

**CORRECTIVE ACTION**

If wires are loose or broken, notify next higher maintenance level.

**MALFUNCTION**

15. AC VOLTMETER (VOLTS AC) INDICATES CORRECT VOLTAGE, BUT FREQUENCY METER (HERTZ) IS OFF SCALE.

**TEST OR INSPECTION**

Step 1. Check FREQUENCY adjust potentiometer.

**CORRECTIVE ACTION**

Set FREQUENCY adjust potentiometer.

**TEST OR INSPECTION**

Step 2. Check for loose or broken wires at back of FREQUENCY adjust potentiometer.

**CORRECTIVE ACTION**

If wires are loose or broken, notify next higher maintenance level.

**MALFUNCTION**

16. AC VOLTMETER (VOLTS AC) FLUCTUATES.

**TEST OR INSPECTION**

Check back of AC voltmeter (VOLTS AC) for loose or broken wires.

**CORRECTIVE ACTION**

If wires are loose or broken, notify next higher maintenance level.

**MALFUNCTION**

17. FREQUENCY METER (HERTZ) FLUCTUATES.

**TEST OR INSPECTION**

Check back of frequency meter (HERTZ) for loose or broken wires.

**CORRECTIVE ACTION**

If wires are loose or broken, notify next higher maintenance level.

**MALFUNCTION**

18. AC CIRCUIT INTERRUPTER LIGHT FAILS TO LIGHT WHEN AC CIRCUIT INTERRUPTER SWITCH IS CLOSED.

**TEST OR INSPECTION**

Step 1. Test AC CIRCUIT INTERRUPTER light by depressing.

**CORRECTIVE ACTION**

If light fails to light, refer to next higher maintenance level.

**TEST OR INSPECTION**

Step 2. Check load cables for proper connection.

**CORRECTIVE ACTION**

For proper connection of the load cables, refer to WP 0005, Installation of Load Cables. If correct go to Step 3.

**TEST OR INSPECTION**

Step 3. Ensure load does not exceed generator set rating.

**CORRECTIVE ACTION**

Decrease load. If load is correct, refer to next higher maintenance level.

**MALFUNCTION**

19. SYNCHRONIZING LIGHTS FAIL TO LIGHT.

**TEST OR INSPECTION**

Step 1. Check that parallel cable is connected.

**CORRECTIVE ACTION**

Connect paralleling cable; refer to WP 0005, Pre-Operation.

**TEST OR INSPECTION**

Step 2. Check PARALLEL UNIT switch.

**CORRECTIVE ACTION**

Place PARALLEL UNIT switch in correct position.

**MALFUNCTION**

20. SYNCHRONIZING LIGHTS ON GENERATOR SET NO. 2 DO NOT GLOW BRIGHT AND DARK IN UNISON DURING PARALLEL OPERATION.

**TEST OR INSPECTION**

Step 1. Check that load cables are connected properly.

**CORRECTIVE ACTION**

For proper connection of load cables, refer to WP 0005, Installation of Load Cables. If properly connected, go to Step 2.

**TEST OR INSPECTION**

Step 2. Ensure FREQUENCY SELECT switches are in correct positions.

**CORRECTIVE ACTION**

Frequency must be the same on both generator sets (MEP-806A).

**MALFUNCTION**

21. AC CIRCUIT INTERRUPTER LIGHT FAILS TO COME ON GENERATOR SET NO. 2 IN PARALLEL OPERATION.

**TEST OR INSPECTION**

Step 1. Test light by depressing. If light fails to light, notify next higher maintenance level.

**CORRECTIVE ACTION**

If light comes on, go to Step 2.

**TEST OR INSPECTION**

Step 2. FREQUENCY adjust potentiometer is not properly adjusted.

**CORRECTIVE ACTION**

Set FREQUENCY adjust potentiometer.

**MALFUNCTION**

22. NO VOLTAGE AT THE CONVENIENCE RECEPTACLE.

**TEST OR INSPECTION**

Step 1. Open control panel and inspect circuit breaker on side of Ground Fault Circuit Interrupter device.

**CORRECTIVE ACTION**

If tripped, reset device. Check fuse on black wire of Ground Fault Circuit Interrupter for generator sets, contract number DAAK01-88-D-0082.

**TEST OR INSPECTION**

Step 2. Check the Ground Fault Circuit Interrupter.

**CORRECTIVE ACTION**

If the indicator is BLACK, reset by pressing the reset button. If the indicator is ORANGE, refer to next higher maintenance level.

**END OF WORK PACKAGE**



**CHAPTER 4**

**OPERATOR MAINTENANCE INSTRUCTIONS**

**FOR**

**60 kW 50/60 AND 400 Hz SKID MOUNTED TACTICAL**

**QUIET GENERATOR SETS**

CHAPTER 4  
OPERATOR MAINTENANCE INSTRUCTIONS

**WORK PACKAGE INDEX**

---

<u>Title</u>	<u>WP Sequence No.</u>
Preventive Maintenance Checks and Services (PMCS) Introduction.....	0010
Preventive Maintenance Checks and Services (PMCS) .....	0011
Operator Lubrication Instructions .....	0012
Generator Set Inspection and Service.....	0013
Batteries: Inspection, Servicing .....	0014
Air Cleaner Assembly: Inspection, Servicing.....	0015
Cooling System: Inspection, Servicing .....	0016
Fuel Tank: Inspection, Servicing .....	0017
Fuel Filter/Water Separator: Inspection, Servicing.....	0018
Lubrication System: Inspection, Servicing.....	0019

---

**OPERATOR MAINTENANCE****60 kW 50/60 AND 400 Hz SKID MOUNTED TACTICAL QUIET GENERATOR SETS  
PREVENTIVE MAINTENANCE CHECKS AND SERVICES (PMCS) INTRODUCTION**

---

**INITIAL SETUP:**

Not Applicable

---

**GENERAL**

To ensure that the generator set is ready for operation at all times, it must be inspected so that defects can be discovered and corrected before they result in serious damage or failure.

**PMCS, Before Operations**

Always keep in mind the CAUTIONS and WARNINGS. Perform your before (B) PMCS.

**PMCS, During Operations**

Always keep in mind the CAUTIONS and WARNINGS. Perform your during (D) PMCS.

**PMCS, After Operation**

Be sure to perform your after (A) PMCS.

**If Your Equipment Fails to Operate**

If your equipment does not perform as required, refer to Chapter 3 under Troubleshooting for possible problems. Report any malfunctions or failures on the proper DA Form 2404, or refer to DA PAM 750-8.

**PMCS PROCEDURES****NOTE**

For general location of the items to be inspected in WP 0010, Table 1, refer to WP 0002, Figure 1 and WP 0004, Figure 1.

**Purpose of PMCS Table**

Preventive Maintenance Checks and Services (WP 0010, Table 1) list the inspections and care of your equipment required to keep it in good operating condition.

**Warnings, Cautions, and Notes**

Always observe the **WARNINGS**, **CAUTIONS**, and **NOTES** appearing in your PMCS table. Warnings and cautions appear before applicable procedures. You must observe these **WARNINGS** to prevent serious injury to yourself and others. You must observe **CAUTIONS** to prevent your equipment from being damaged. You must observe **NOTES** to ensure procedures are performed properly.

**Explanation of Table Entries**

The PMCS Table is divided into five columns. Each column is explained in the following paragraphs.

**Item No. Column.** Numbers in this column are for reference. When completing DA Form 2404 (Equipment Inspection and Maintenance Worksheet), include the item number for the check/service indicating a fault. Item numbers also appear in the order that you must do checks and services for the intervals listed.

**Interval Column.** This column tells you when you must do the procedure in the procedure column. "Before" procedures must be done before you operate the power plant or power unit for its intended mission. "During" procedures must be done during the time you are operating the power plant or power unit for its intended mission. "After" procedures must be done immediately after you have operated a power plant, immediately after shutting down one of the generator sets on a power plant, or immediately after you have operated a power unit. Perform "Weekly" procedures at the listed interval.

**Location, Item to Check/Service Column.** This column lists the location and the item to be checked or serviced. The item location is underlined.

**Procedure Column.** This column gives the procedure for checking or servicing the item listed in the location, item to check/service column. You must perform the procedure to know if the power plant or power unit is ready or available for its intended mission or operation. You must do the procedure at the time stated in the interval column.

**Not Fully Mission Capable If: Column.** Information in this column tells you what faults will keep your power plant or power unit from being capable of performing its primary mission. If you make checks or services that show faults listed in this column, do not operate the power plant or power unit.

### Other Table Entries

Be sure to observe all special information and notes that appear in your table.

### Special Instructions

Preventive maintenance is not limited to performing the checks and services listed in the PMCS Table. Covering unused receptacles, stowing unused accessories and performing other routine procedures such as equipment inventory, cleaning components, and touch-up painting are not listed in the table. These are things you should do any time you see that they need to be done. If a routine check is listed in the PMCS Table, it is because experience has shown that problems may occur with this item. Take along tools and cleaning cloths needed to perform the required checks and services. Use the information in the following paragraphs to help you identify problems at any time and to help identify potential problems before and during checks and services.

### WARNING



High voltage is produced when this generator set is in operation. Ensure engine control and DEAD CRANK switches are set to OFF, negative battery cable is disconnected, and unit is completely shut down and free of any power source before attempting any troubleshooting or maintenance on unit. Failure to comply may cause injury or death to personnel.

### WARNING

Solvent used to clean parts is potentially dangerous to personnel and property. Clean parts in a well-ventilated area. Avoid inhalation of solvent fumes. Wear goggles and rubber gloves to protect eyes and skin. Wash exposed skin thoroughly. Do not smoke or use near open flame or excessive heat. Failure to comply with this warning can cause injury to personnel, and damage to the equipment.

### CAUTION

Keep cleaning solvents, fuels and lubricants away from rubber or soft plastic parts. They will deteriorate material.

1. Keep the generator set clean. Dirt, grease, and oil get in the way and may cover up a serious problem. Use cleaning solvent to clean metal services.
2. Use soap and water to clean rubber or plastic parts and material.
3. Check all bolts, nuts, and screws to make sure they are not loose, missing, bent, or broken. Do not try to check them with a tool, but look for chipped paint, bare metal, or rust around bolt heads. If you find one loose, report it to the next-higher level of maintenance.
4. Inspect welds for loose or chipped paint, rust, or gaps where parts are welded together. If a broken weld is found, report it to the next-higher level of maintenance.

5. Inspect electrical wires, connectors, terminals, and receptacles for cracked or broken insulation, bare wires, and loose or broken connectors. Tighten loose connectors. Examine terminals and receptacles for serviceability. If deficiencies are found, report them to the next-higher level of maintenance.
6. Inspect hoses and fluid lines. Look for wear, damage, and leaks. Make sure that clamps and fittings are tight. Wet spots and stains around a fitting or connector can mean a leak. If a leak comes from a loose connector or if something is broken or worn out, report it to the next-higher level of maintenance.

### Fluid Leakage

You must know how fluid leakage affects the status of your equipment. The following are definitions of the types/classes of leakage you need to know to be able to determine the status of your equipment. Learn and be familiar with them. When in doubt, notify your supervisor.

<b>Leakage Class</b>	<b>Leakage Definition</b>
Class I	Seepage of fluid (as indicated by wetness or discoloration) not great enough to form drops.
Class II	Leakage of fluid great enough to form drops, but not enough to cause drops to drip from the item being checked/inspected.
Class III	Leakage of fluid great enough to form drops that fall from the item being checked/inspected.

### Operation of Power Plant/Power Unit with Minor Leaks

#### **CAUTION**

Equipment operation is allowable with minor leakage (Class I or II) of any fluid except fuel. Fluid capacity must be considered before deciding to continue operation of the equipment with minor leaks. When operating with Class I or II leaks, fluid level must be checked more often than required by the PMCS table. Parts without fluid will stop working and/or cause equipment damage.

1. Consider the equipment's capacity for the fluid that is leaking. If the capacity is small, the fluid level may soon become too low for continued operation. If in doubt, notify your supervisor.
2. Check the fluid level more often than required in the PMCS Table. Add fluid as needed.
3. All leaks should be reported to the next higher level of maintenance.

### Corrosion Prevention and Control (CPC)

CPC of Army material is of continuing concern. It is important that any corrosion problems with the equipment be reported so that the problem can be corrected and improvements can be made to prevent the problem in future items. Although corrosion is typically associated with rusting of metals, it can also include deterioration of other materials, such as rubber and plastic. Unusual cracking, softening, swelling, or breaking of these materials may be a corrosion problem. If a corrosion problem is identified, it can be reported using Standard Form 368, Product Quality Deficiency Report. Use of key words such as "corrosion," "rust," "deterioration," or "cracking" will ensure that the information is identified as a CPC problem. The form should be submitted to the address specified in DA PAM 750-8.

### Removal of Assemblies/Equipment to Perform PMCS

There is no requirement to remove assemblies/equipment prior to performing the PMCS.

### Winterization Kit

See Chapter 6, WP 0027 for PMCS Procedures.

### END OF WORK PACKAGE



**OPERATOR MAINTENANCE**

**60 kW 50/60 AND 400 Hz SKID MOUNTED TACTICAL QUIET GENERATOR SETS  
PREVENTIVE MAINTENANCE CHECKS AND SERVICES (PMCS)**

**INITIAL SETUP:**

**Tools and Special Tools**

Generator Mechanical Tool Kit

**Materials/Parts**

Expendable Durable Items List

**Personnel Required**

One

**Equipment Condition**

Generator grounded, off & operational

**Table 1. Operator Preventative Maintenance Checks and Services.**

ITEM NO.	INTERVAL	ITEM TO BE CHECKED OR SERVICED	PROCEDURE	EQUIPMENT NOT READY/AVAILABLE IF:
		<b><u>GENERATOR SET EXTERIOR</u></b>		
<b>NOTE</b>				
<p>The generator set can be operated continuously at any load from no load up to and including rated load. However, at light loads (less than 25% of set rating), an oily residue (unburned fuel oil) may occasionally be noticed in the exhaust system outlet and around connection joints in the exhaust system. This residue is caused by the inability of the fuel injection system to consistently meter the small amount of fuel required to operate at these low load levels and is not a defect in the fuel system. The oily residue could affect engine performance and create a cosmetic problem on and around the generator set. Operation at rated load will burn off this oily residue. The length of time required at rated load depends on the amount of residue. The muffler may also need to be removed and cleaned if excessive build up occurs. This oily residue can be prevented by increasing the electrical load on the set.</p>				
<b>NOTE</b>				
<p>If the equipment must be kept in continuous operation, check and service only those items that can be checked and serviced without disrupting operations. Complete all checks and services when equipment is shut down.</p>				
1	Before	HOUSING	Check doors, panels, hinges, and latches for damage, loose, or corroded items.  Inspect air intake and exhaust grills for debris.	Cannot secure doors.
2	Before	IDENTIFICATION PLATES	Check to ensure identification plates are secure.	
3	Before	SKID BASE	Inspect skid base for cracks and/or corrosion.	Skid base is cracked or shows signs of structural damage.
4	Before	ACOUSTICAL MATERIALS	Ensure that acoustical materials are free of damage and not missing.	
		<b><u>ENGINE ASSEMBLY</u></b>		

Table 1. Operator Preventative Maintenance Checks and Services. - Continued

ITEM NO.	INTERVAL	ITEM TO BE CHECKED OR SERVICED	PROCEDURE	EQUIPMENT NOT READY/AVAILABLE IF:
<b>WARNING</b>				
<p>Operating the generator set exposes personnel to a high noise level. Hearing protection must be worn when operating or working near the generator set when the generator set is running. Failure to comply with this warning can cause hearing damage to personnel.</p>				
<b>WARNING</b>				
<p>Fuels used in the generator set are flammable. Do not smoke or use open flames when performing maintenance. Failure to comply with this warning can cause injury or death to personnel, and damage to the generator set.</p>				
5	Before	ENGINE ASSEMBLY	Inspect for loose, damaged, or missing hardware.	Any loose, damaged, or missing hardware.
6	Before	FUEL SYSTEM	Inspect for leaks, damaged, loose, or missing hardware.	Any fuel leaks, damaged, loose or missing parts.
7	Before	FUEL FILTER/WATER SEPARATOR	<p>Inspect for leaks, cracks, damage, proper mounting, loose or missing parts.</p> <p>Drain water from fuel filter/water separator.</p>	<p>Any fuel leaks.</p> <p>Water not drained.</p>
8	Before	ETHER START SYSTEM	Inspect for deteriorated, loose or missing parts.	Any deteriorated, loose or missing parts.
<b>NOTE</b>				
<p>Pull dipstick from oil dipstick tube and take reading. If recheck is desired:                      Wipe dipstick clean.                      Reinsert dipstick into oil dipstick tube (dipstick must remain in oil dipstick tube for 5 seconds minimum).                      Pull dipstick from oil dipstick tube and take reading.</p>				
9	Before	LUBRICATION SYSTEM	<p>Inspect for leaks, damage, loose or missing parts.</p> <p>Inspect oil level.</p> <p>Inspect for contamination.</p>	<p>Class III leaks, damage, loose or missing parts.</p> <p>Oil level is low.</p> <p>Oil shows signs of contamination.</p>
		<b>COOLING SYSTEM</b>		



Table 1. Operator Preventative Maintenance Checks and Services. - Continued

ITEM NO.	INTERVAL	ITEM TO BE CHECKED OR SERVICED	PROCEDURE	EQUIPMENT NOT READY/AVAILABLE IF:
<b>WARNING</b>				
Cooling system operates at high temperatures and pressure. Contact with high pressure steam and/or liquids can result in burns and scalding. Shut down generator set, and allow system to cool before performing checks, services and maintenance, or wear gloves and additional protective clothing and goggles as required. Failure to comply with this warning can cause injury or death to personnel.				
10	Before	RADIATOR	Inspect for leaks, damage, loose or missing parts.	Class III leaks or missing radiator cap.
11	Before	HOSES	Inspect for leaks, cracks, or missing parts.	Class III leaks or missing clamps or hoses.
12	Before	COOLING FAN	Inspect for obstruction, damage, or looseness. Inspect for unusual noise in fan area.	Damaged or loose. Unusual noise from area.
13	Before	WATER PUMP	Inspect for leaks.	
14	Before	FAN BELTS	Inspect for cracks, fraying, or looseness.	Broken or missing belt(s).
15	Before	OVERFLOW BOTTLE	Inspect for proper mounting, leaks, or missing hardware.	Class III leaks or missing hardware.
		<b><u>EXHAUST/INTAKE SYSTEM</u></b>		
<b>WARNING</b>				
Exhaust discharge contains deadly gases including carbon monoxide. DO NOT operate generator set in enclosed areas unless exhaust discharge is properly vented outside. Failure to comply with this warning can cause injury or death to personnel.				
16	Before	EXHAUST SYSTEM	Inspect for leaks, corrosion, and missing parts.	Leaks, damaged, or missing parts.
17	Before	AIR CLEANER ASSEMBLY  <b><u>GROUNDING ROD ASSEMBLY</u></b>	Inspect for loose, damaged, or missing parts. Inspect restriction indicator for clogged air cleaner element.	Loose or missing parts. Clogged air cleaner element.

Table 1. Operator Preventative Maintenance Checks and Services. - Continued



ITEM NO.	INTERVAL	ITEM TO BE CHECKED OR SERVICED	PROCEDURE	EQUIPMENT NOT READY/AVAILABLE IF:
<b>WARNING</b>				
 <p>High voltage is produced when generator set is in operation. Never attempt to start the generator set unless it is properly grounded. Do not ground yourself in standing water. Never attempt to connect or disconnect load cables while the generator set is running. Failure to comply may cause injury or death to personnel.</p>				
<b>WARNING</b>				
Ensure nuts on ground terminals are properly secured creating a good ground. Failure to comply with this warning can cause injury or death to personnel.				
18	Before	GROUND ROD CABLE AND CONNECTIONS	Inspect for damage, corrosion, and loose connections.	Damaged, corroded, or loose connections.
<b>WARNING</b>				
Battery acid can cause burns to unprotected skin. Wear safety goggles and chemical gloves and avoid acid splash while working on batteries. Failure to comply with this warning can cause injury to personnel.				
<b>WARNING</b>				
Dangerous voltage exists on live circuits. Always observe precautions and never work alone. Failure to comply with this warning can cause injury or death to personnel.				
19	Before	BATTERIES	Inspect electrolyte level.	Electrolyte is below battery plates.
20	Before	BATTERY CABLES	Inspect for corrosion, damage, loose connections, or missing parts.	Damaged, loose, or missing parts.
21	Before	OUTPUT BOX ASSEMBLY	Inspect cables for damage or loose connections. Inspect output terminals for damage or missing hardware.	Damaged, loose, or missing parts. Damaged or missing hardware.
22	Before	<u>CONTROL BOX ASSEMBLY</u> CONTROLS AND INDICATORS	Inspect for damage or missing parts.	Damaged or missing parts.
<b>WARNING</b>				
 <p>High voltage is produced when this generator set is in operation. Ensure engine control and DEAD CRANK switches are set to OFF, negative battery cable is disconnected, and unit is completely shut down and free of any power source before attempting any troubleshooting or maintenance on unit. Failure to comply may cause injury or death to personnel.</p>				

Table 1. Operator Preventative Maintenance Checks and Services. - Continued

ITEM NO.	INTERVAL	ITEM TO BE CHECKED OR SERVICED	PROCEDURE	EQUIPMENT NOT READY/AVAILABLE IF:
23	Before	CONTROL BOX HARNES	Inspect for damage and looseness.	Damaged or loose.
		<b><u>GENERATOR SET EXTERIOR</u></b>		
<b>WARNING</b>				
Operating the generator set exposes personnel to a high noise level. Hearing protection must be worn when operating or working near the generator set when the generator set is running. Failure to comply with this warning can cause hearing damage to personnel.				
<b>WARNING</b>				
Fuels used in the generator set are flammable. Do not smoke or use open flames when performing maintenance. Failure to comply with this warning can cause injury or death to personnel, and damage to the generator set.				
<b>WARNING</b>				
Top housing panels and exhaust system can get very hot. When performing DURING PMCS, wear gloves and additional protective clothing as required. Failure to comply with this warning can cause severe burns and injury to personnel.				
<b>WARNING</b>				
Exercise extreme caution when performing DURING PMCS checks inside engine compartment. Avoid contact with moving or hot engine parts. Failure to comply with this warning can cause injury or death to personnel.				
<b>NOTE</b>				
If the equipment must be kept in continuous operation, check and service only those items that can be checked and serviced without disrupting operations. Complete all checks and services when equipment is shut down.				
24	During	HOUSING	Check doors, panels, hinges, and latches for damage, loose, or corroded items.	Cannot secure doors.
25	During	<b><u>ENGINE ASSEMBLY</u></b> ENGINE ASSEMBLY	Inspect for loose, damaged, or missing hardware.	Any loose, damaged, or missing hardware.
26	During	FUEL SYSTEM	Inspect for leaks, damaged, loose, or missing hardware.	Any fuel leaks, damaged, loose or missing parts.
<b>NOTE</b>				
Pull dipstick from oil dipstick tube and take reading. If recheck is desired: Wipe dipstick clean. Reinsert dipstick into oil dipstick tube (dipstick must remain in oil dipstick tube for 5 seconds minimum). Pull dipstick from oil dipstick tube and take reading.				

Table 1. Operator Preventative Maintenance Checks and Services. - Continued

ITEM NO.	INTERVAL	ITEM TO BE CHECKED OR SERVICED	PROCEDURE	EQUIPMENT NOT READY/AVAILABLE IF:
27	During	LUBRICATION SYSTEM	Inspect for leaks, damage, loose or missing parts. Inspect oil level. Inspect for contamination.	Class III leaks, damage, loose or missing parts. Oil level is low. Oil shows signs of contamination.
28	During	<u>COOLING SYSTEM</u> COOLING FAN	Inspect for obstruction, damage, or looseness. Inspect for unusual noise in fan area.	Damaged or loose. Unusual noise from area.
29	During	OVERFLOW BOTTLE	Inspect for proper mounting, leaks, or missing hardware.	Class III leaks or missing hardware.
30	During	<u>GROUNDING ROD ASSEMBLY</u> GROUND ROD CABLE AND CONNECTIONS	Inspect for damage, corrosion, and loose connections.	Damaged, corroded, or loose connections.
		<u>CONTROL BOX ASSEMBLY</u>		

**WARNING**

High voltage is produced when the generator set is in operation. DO NOT touch live voltage connections. Never attempt to connect or disconnect load cables or paralleling cables while the generator set is running. Failure to comply with this warning can cause injury or death to personnel.

31	During	CONTROLS AND INDICATORS  <u>GENERATOR SET EXTERIOR</u>	Inspect indicators are operating properly.	Indicators are not operating properly.
----	--------	--	--	--

**WARNING**

Top housing panels and exhaust system can get very hot. Shut down generator set, and allow system to cool before performing checks, services and maintenance. Failure to comply with this warning can cause severe burns and injury to personnel.

**NOTE**

If the equipment must be kept in service continuous operation, check only those items that can be checked and serviced without disrupting operations. Complete all checks and services when equipment is shut down.

32	After	HOUSING	Check door panels, hinges, and latches for damage, loose, or corroded items.	Cannot secure door.
----	-------	---------	--	---------------------

Table 1. Operator Preventative Maintenance Checks and Services. - Continued

ITEM NO.	INTERVAL	ITEM TO BE CHECKED OR SERVICED	PROCEDURE	EQUIPMENT NOT READY/AVAILABLE IF:
33	After	IDENTIFICATION PLATES	Check to ensure identification plates are secure.	
34	After	SKID BASE	Inspect skid base for cracks and/or corrosion.	Skid base is cracked or shows signs of structural damage.
<p><b>WARNING</b></p> <p>Fuels used in the generator set are flammable. Do not smoke or use open flames when performing maintenance. Failure to comply with this warning can cause injury or death to personnel, and damage to the generator set.</p> <p><b>WARNING</b></p> <p>Diesel fuel is flammable and toxic to eyes, skin, and respiratory tract. Skin and eye protection are required when working in contact with diesel fuel. Avoid repeated or prolonged contact. Provide adequate ventilation. Operators are to wash exposed skin and change chemical soaked clothing promptly if exposed to fuel. Failure to comply with this warning can cause injury or death to personnel.</p>				
35	After	ENGINE ASSEMBLY	Inspect for loose, damaged, or missing hardware.	Loose, damaged, or missing hardware.
36	After	<b>FUEL SYSTEM</b> FUEL SYSTEM	Inspect for leaks, damage, loose, or missing hardware.	Any fuel leaks, damage, loose or missing parts.
37	After	FUEL FILTER/ WATER SEPARATOR	Inspect for leaks, cracks, damage, proper mounting, loose or missing parts.  Drain water.	Any fuel leaks.  Water not drained.
<p><b>NOTE</b></p> <p>Pull dipstick from oil dipstick tube and take reading. If recheck is desired: Wipe dipstick clean. Reinsert dipstick into oil dipstick tube (dipstick must remain in oil dipstick tube for 5 seconds minimum). Pull dipstick from oil dipstick tube and take reading.</p>				
38	After	LUBRICATION SYSTEM	Inspect for leaks, damage, loose or missing parts.  Inspect oil level.  Inspect for contamination.	Class III leaks, damage, loose or missing parts.  Oil level is low.  Oil shows signs of contamination.
		<b>COOLING SYSTEM</b>		

Table 1. Operator Preventative Maintenance Checks and Services. - Continued

ITEM NO.	INTERVAL	ITEM TO BE CHECKED OR SERVICED	PROCEDURE	EQUIPMENT NOT READY/AVAILABLE IF:
<b>WARNING</b>				
Cooling system operates at high temperatures and pressure. Contact with high pressure steam and/or liquids can result in burns and scalding. Shut down generator set, and allow system to cool before performing checks, services and maintenance, or wear gloves and additional protective clothing and goggles as required. Failure to comply with this warning can cause injury or death to personnel.				
39	After	RADIATOR	Inspect for leaks, damage, loose or missing parts.	Class III leaks or missing radiator cap.
40	After	HOSES	Inspect for leaks, cracks, or missing parts.	Class III leaks or missing clamps or hoses.
41	After	FAN BELTS	Inspect for cracks, fraying, or looseness.	Broken or missing belt(s).
42	After	<b><u>CONTROL BOX ASSEMBLY</u></b> CONTROLS AND INDICATORS	Inspect for damaged or missing parts.	Damaged or missing parts.

**Mandatory Replacement Parts List**

There are no replacement parts required for these PMCS procedures.

**END OF WORK PACKAGE**

---

**OPERATOR MAINTENANCE**

**60 kW 50/60 AND 400 Hz SKID MOUNTED TACTICAL QUIET GENERATOR SETS**

**OPERATOR LUBRICATION INSTRUCTIONS**

---

**INITIAL SETUP:**

Not Applicable

---

**LUBRICATION ORDER**

Refer to LO 9-6115-645-12 for lubrication information.

**END OF WORK PACKAGE**





---

**OPERATOR MAINTENANCE****60 kW 50/60 AND 400 Hz SKID MOUNTED TACTICAL QUIET GENERATOR SETS****GENERATOR SET INSPECTION AND SERVICE**

---

**INITIAL SETUP:**

---

**INTRODUCTION**

This chapter contains operator maintenance procedures. Deficiencies noted during inspection which are beyond the maintenance scope of the operator shall be reported to next higher maintenance level.

**END OF WORK PACKAGE**



---

**OPERATOR MAINTENANCE****60 kW 50/60 AND 400 Hz SKID MOUNTED TACTICAL QUIET GENERATOR SETS****BATTERIES: INSPECTION, SERVICING**

---

**INITIAL SETUP:****Tools and Special Tools**

Generator Mechanical Tool Kit

**Materials/Parts**Safety Goggles  
Chemical Gloves  
Distilled Water**Personnel Required**

One

**References**

WP 0005, Stopping/Starting Procedure

**Equipment Condition**Generator set grounded, off & operational

---

**WARNING**

Battery acid can cause burns to unprotected skin. Wear safety goggles and chemical gloves and avoid acid splash while working on batteries. Failure to comply with this warning can cause injury to personnel.

**INSPECTION**

1. Shut down generator set; refer to WP 0005, Stopping Procedure.
2. Open battery access door.
3. Inspect for damaged battery case, corrosion, or damaged and loose connections on terminal cable, and damaged or missing battery caps.
4. Remove battery caps.

**CAUTION**

Electrolyte level must cover battery plates in all cells. Failure to observe this caution can cause damage to the battery.

**NOTE**

Electrolyte level should be at bottom of each cap cylinder.

5. Inspect electrolyte level.
6. Perform service procedures if required.
7. Install battery caps.
8. Close battery access door.

**END OF TASK****SERVICING**

1. Shut down generator set; refer to WP 0005, Stopping Procedure.
2. Open battery access door.
3. Remove battery caps.

**NOTE**

Electrolyte level should be at bottom of each cap cylinder.

4. Add distilled water to each battery cell as required.
5. Replace battery caps.
6. Close battery access door.
7. If necessary contact next higher level of maintenance to clean or replace batteries or battery terminals.

**END OF TASK**

**END OF WORK PACKAGE**

---

**OPERATOR MAINTENANCE****60 kW 50/60 AND 400 Hz SKID MOUNTED TACTICAL QUIET GENERATOR SETS****AIR CLEANER ASSEMBLY: INSPECTION, SERVICING**

---

**INITIAL SETUP:****Tools and Special Tools**

Generator Mechanical Tool Kit

**Materials/Parts**Air Cleaner Element  
Clean Lint-free Cloth (WP 0022)**Personnel Required**

One

**References**WP 0005, Stopping Procedure  
WP 0022**Equipment Condition**Generator grounded, off & operational

---

**INSPECTION**

1. Shut down generator set; refer to WP 0005, Stopping Procedure.
2. Open air cleaner access door (rear of generator set).
3. Open left side engine compartment access door.
4. Inspect air cleaner housing (Figure 1, Item 5) for dents, corrosion, missing hardware and other damage.
5. Inspect restriction indicator (6) for indication of a clogged air cleaner element (4).
6. Close air cleaner access door.

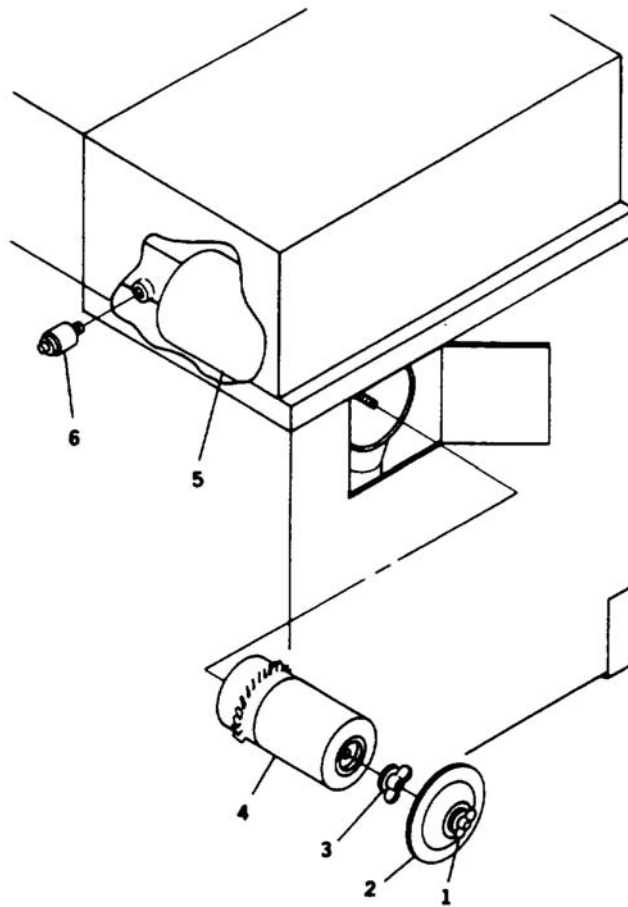


Figure 1. Air Cleaner Element Replacement.

#### END OF TASK

#### SERVICING

1. Shut down generator set; refer to WP 0005, Stopping Procedure.
2. Open air cleaner access door (rear of generator set).
3. Loosen wing nut (Figure 1, Item 1) and remove end cap (2) on air cleaner housing (5).
4. Remove wing nut (3) and air cleaner element (4). If fouled, discard air cleaner element.
5. Inspect inside of air cleaner housing (5) for debris. Wipe housing interior with clean lint-free cloth (WP 0022, Item 3).
6. Install air cleaner element (4), wing nut (3), end cap (2) and hand tighten wing nut (1).
7. Close air cleaner access door.

#### END OF TASK

#### END OF WORK PACKAGE

**OPERATOR MAINTENANCE****60 kW 50/60 AND 400 Hz SKID MOUNTED TACTICAL QUIET GENERATOR SETS****COOLING SYSTEM: INSPECTION, SERVICING**

---

**INITIAL SETUP:****Tools and Special Tools**

Generator Mechanical Tool Kit

**Materials/Parts**Coolant (MIL-A-53009A (1)  
Antifreeze (A-A-52624A)**Personnel Required**

One

**References**

WP 0005, Stopping Procedure

**Equipment Condition**Generator grounded, off & operational

---

**INSPECTION****WARNING**

All metal jewelry can conduct electricity and become entangled in generator set components. Remove all jewelry when working on generator set. Failure to comply with this warning can cause injury or death to personnel.

1. Shut down generator set; refer to WP 0005, Stopping Procedure.
2. Open both engine access doors.

**WARNING**

Cooling system operates at high temperatures and pressure. Contact with high pressure steam and/or liquids can result in burns and scalding. Shut down generator set, and allow system to cool before performing checks, services and maintenance, or wear gloves and additional protective clothing and goggles as required. Failure to comply with this warning can cause injury or death to personnel.

3. Check radiator for dirt, leaves, insects, etc. blocking air flow.
4. Check radiator and hoses for leaks, loose connections, loose mountings, corrosion, chafing, and missing parts.
5. Check coolant level at coolant recovery (overflow) bottle.
6. Close both engine access doors.

**END OF TASK****SERVICING****WARNING**

Cooling system operates at high temperatures and pressure. Contact with high pressure steam and/or liquids can result in burns and scalding. Shut down generator set, and allow system to cool before performing checks, services and maintenance, or wear gloves and additional protective clothing and goggles as required. Failure to comply with this warning can cause injury or death to personnel.

Table 1. Coolant.

COOLANT		
AMBIENT TEMPERATURE	RADIATOR COOLANT	RATIO
+40 TO +120 °F (+4 TO +49 °C)	Water: MIL-A-53009A (1) INHIBITOR, CORROSION	35:1
-25 TO +120 °F (-32 TO +49 °C)	Water: A-A-52624A ANTIFREEZE	1:1
-25 TO +120 °F (-32 TO +49 °C)	Water: A-A-52624A ANTIFREEZE	NA

1. Shut down generator set; refer to WP 0005, Stopping Procedure.
2. Open right side engine access door.
3. Remove cap on coolant recovery (overflow) bottle.
4. Fill coolant recovery (overflow) bottle to HOT line if coolant is hot or to COLD line if coolant is cold with proper coolant/antifreeze in accordance with Table 1.
5. Install coolant recovery (overflow) bottle cap.
6. Close right side engine access door.

**END OF TASK**

**END OF WORK PACKAGE**



**OPERATOR MAINTENANCE****60 kW 50/60 AND 400 Hz SKID MOUNTED TACTICAL QUIET GENERATOR SETS****FUEL TANK: INSPECTION, SERVICING****INITIAL SETUP:****Tools and Special Tools**

Generator Mechanical Tool Kit

**Materials/Parts**

Disel/Turbine Fuel A-A-52557A GRADE 2-D  
 MIL-DTL-831-33E, JP-8  
 Disel/Turbine Fuel A-A-52557A GRADE 1-D  
 MIL-DTL-5624T, JP-5

**Personnel Required**

One

**References**

WP 0005, Stopping Procedure

**Equipment Condition**

Generator grounded, off &amp; operational

**INSPECTION****WARNING**

Fuels used in the generator set are flammable. Do not smoke or use open flames when performing maintenance. Failure to comply with this warning can cause injury or death to personnel, and damage to the generator set.

1. Place MASTER SWITCH in PRIME & RUN or PRIME & RUN AUX FUEL position.
2. Check fuel level by observing FUEL LEVEL indicator.
3. Remove fuel cap and ensure strainer is free of dirt and other foreign material.

**END OF TASK****SERVICING****WARNING**

Fuels used in the generator set are flammable. Do not smoke or use open flames when performing maintenance. Failure to comply with this warning can cause injury or death to personnel, and damage to the generator set.

**CAUTION**

Use only specified diesel fuel to service the fuel tank; refer to Table 1. Otherwise, equipment damage could result.

1. Shut down generator set; refer to WP 0005, Stopping Procedure.
2. Remove fuel cap.
3. Remove fuel strainer, clean as necessary, and reinstall.

**NOTE**

Fuel tank holds 23 gallons (87.1 liters).

4. Add diesel fuel to fuel tank.
5. Install fuel cap.

Table 1. Diesel Fuel.

FUEL	
AMBIENT TEMPERATURE	DIESEL/TURBINE FUEL
+20 TO +120 °F (-7 TO +49 °C)	A-A-52557A, GRADE 2-D MIL-DTL-83133E, JP-8
-25 TO +20 °F (-32 TO +7 °C)	A-A-52557A, GRADE 1-D MIL-DTL-5624T, JP-5

END OF TASK

END OF WORK PACKAGE

**OPERATOR MAINTENANCE****60 kW 50/60 AND 400 Hz SKID MOUNTED TACTICAL QUIET GENERATOR SETS  
FUEL FILTER/WATER SEPARATOR: INSPECTION, SERVICING****INITIAL SETUP:****Tools and Special Tools**

Generator Mechanical Tool Kit

**Personnel Required**

One

**References**

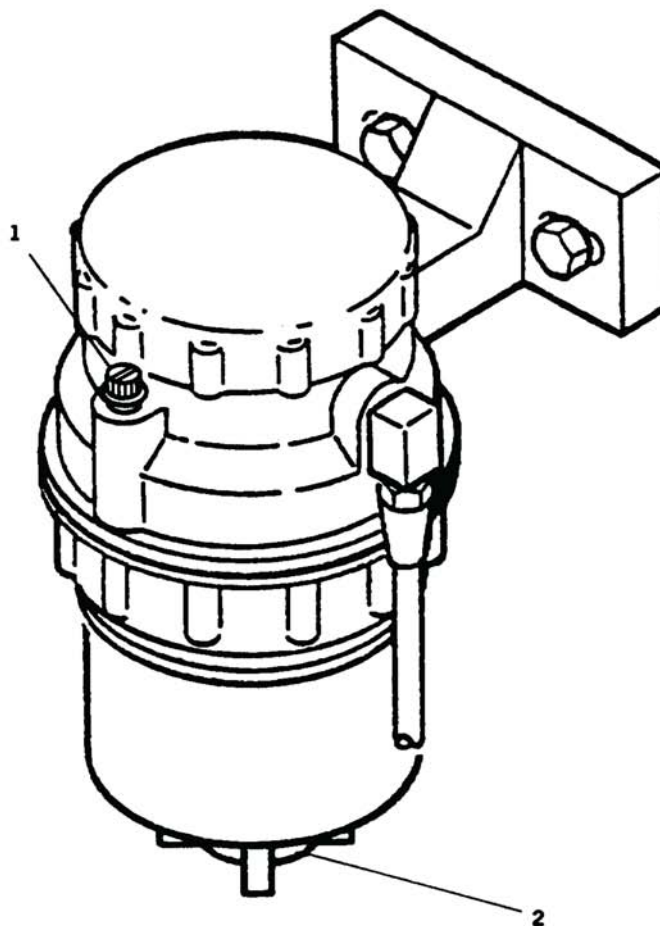
WP 0005, Stopping Procedure

**Equipment Condition**

Generator grounded, off &amp; operational

**INSPECTION**

1. Shut down generator set; refer to WP 0005, Stopping Procedure.
2. Open right side engine access door.
3. Inspect fuel filter/water separator assembly for proper mounting, cracks, dents, leaks, loose fuel lines and other damage.
4. Close right side engine access door.

**Figure 1. Draining Fuel Filter/Water Separator.**

**END OF TASK****SERVICING**

1. Shut down generator set; refer to WP 0005, Stopping Procedure.
2. Open right side engine access door.
3. Open fuel drain cock (Figure 1, Item 2) and air vent (1) on fuel filter/water separator assembly and drain any sediment and water into a suitable container.
4. Close drain cock (2) and air vent (1).
5. Close right side engine access door.

**END OF TASK****END OF WORK PACKAGE**

---

**OPERATOR MAINTENANCE****60 kW 50/60 AND 400 Hz SKID MOUNTED TACTICAL QUIET GENERATOR SETS****LUBRICATION SYSTEM: INSPECTION, SERVICING**

---

**INITIAL SETUP:****Tools and Special Tools**

Generator Mechanical Tool Kit

**Materials/Parts**

Oil

**Personnel Required**

One

**References**

WP 0005, Stopping Procedure

LO 9-6115-645-12

**Equipment Condition**Grounded, off & operational

---

**INSPECTION**

1. Shut down generator set; refer to WP 0005, Stopping Procedure.
2. Open both engine access doors.
3. Inspect engine assembly for oil leaks.
4. Check for damage, proper mounting, or missing parts.

**CAUTION**

The dipstick is marked so that the crankcase oil can be checked while engine is stopped or running. Always make sure correct side of dipstick is checked. Remove oil filler cap when checking oil with engine running.

5. Check engine crankcase oil level; refer to LO 9-6115-645-12.
6. Close both engine access doors.

**END OF TASK****SERVICING**

1. Shut down generator set; refer to WP 0005, Stopping Procedure.
2. Open right side engine access door.
3. Remove oil filter cap.
4. Add oil to engine crankcase; refer to LO 9-6115-645-12.
5. Install oil filter cap.
6. Close right side engine access door.

**END OF TASK****END OF WORK PACKAGE**



**CHAPTER 5**

**OPERATOR SUPPORTING INFORMATION**

**FOR**

**60 kW 50/60 AND 400 Hz SKID MOUNTED TACTICAL  
QUIET GENERATOR SETS**

CHAPTER 5  
SUPPORTING INFORMATION

**WORK PACKAGE INDEX**

---

<u>Title</u>	<u>WP Sequence No.</u>
References .....	0020
Components of End Item (COEI) and Basic Issue Items (BII) Lists .....	0021
Additional Authorization List (AAL) .....	0022
Expendable and Durable Items List.....	0023



**OPERATOR MAINTENANCE****60 kW 50/60 AND 400 Hz SKID MOUNTED TACTICAL QUIET GENERATOR SETS****REFERENCES****SCOPE**

This work package lists all forms, regulations, pamphlets, specifications, standards, technical manuals, technical bulletins, lubrication orders, field manuals, and miscellaneous publications referenced in this TM.

**FORMS**

DA Form 2028	Recommended Changes to Publications and Blank Forms
DA Form 2028-2	Recommended Changes to Equipment Technical Publications
DA Form 2404	Equipment Inspection and Maintenance Worksheet
DA Form 2407	Maintenance Request
DA Form 2408	Equipment Log Assembly (Records)
DA Form 2408-9	Equipment Control Record
DA Form 2408-20	Oil Analysis Log
DA Form 5988-E	Equipment Inspection and Maintenance Worksheet
DD Form 314	Preventive Maintenance Schedule and Record
SF Form 364	Report of Discrepancy
SF Form 368	Product Quality Deficiency Report

**ARMY REGULATIONS**

AR 310-25	Dictionary of United States Army Terms
-----------	--

**DEPARTMENT OF THE ARMY PAMPHLETS**

DA PAM 750-8	The Army Maintenance Management System (TAMMS)
--------------	--

**MILITARY SPECIFICATIONS**

MIL-A-53009A(1)	Additive, Antifreeze Extender, Liquid Cooling Systems
MIL-DTL-5624T	Turbine Fuel, Aviation, Grades JP-4, JP-5, and JP-5/JP-8 ST
MIL-DTL-83133E	Turbine Fuels, Aviation, Kerosene Types, NATO F-34 (JP-8), NATO F-35 and JP-8+100

**COMMERCIAL ITEM DESCRIPTIONS**

A-A-52557A	Fuel Oil, Diesel; for Posts, Camps, and Stations
A-A-52624A	Antifreeze, Multi Engine Type
ASME-Y14.38M	Abbreviations for Use on Drawings, and in Specifications, Standards and Technical Documents

**MILITARY STANDARDS**

None

**TECHNICAL MANUALS**

TM 4700-15/1	Marine Corps Forms
TM 750-244-3	Procedures for Destruction of Equipment to Prevent Enemy Use (Mobility Equipment Command)

**TECHNICAL BULLETINS**

TB 43-0125	Installation of Communications Electronic Equipment: Hookup of Electrical Cables to Mobile Generator Sets on Fielded Equipment to Meet Electrical Safety Standards
TB 9-6115-645-24	Warranty Technical Bulletin

**LUBE ORDERS**

LO 9-6115-645-12	Generator Set, Skid Mounted, Tactical Quiet 60 kW, 50/60 and 400 Hz MEP-806A, Tactical Quiet, 50/60 Hz, NSN 6115-01-274-7390 MEP-816A, Tactical Quiet, 400 Hz, NSN 6115-01-274-7395
------------------	---

**FIELD MANUALS**

FM 3-113	Multiservice Tactics, Techniques and Procedures for Chemical, Biological, Radiological, and Nuclear Contamination Avoidance
FM 3-114	Multiservice Tactics, Techniques, and Procedures for Nuclear, Biological, and Chemical (NBC) Protection
FM 3-115	Multiservice Tactics, Techniques, and Procedures for Chemical, Biological, Radiological, and Nuclear Decontamination
FM 4-25.11	First Aid
FM 5-424	Theater of Operations, Electrical Systems
FM 9-207	Operation and Maintenance of Ordnance Materiel in Cold Weather (0° to -65°)
FM 21-6	Techniques of Military Instruction
FM 21-30	Military Symbols
FM 21-40	Chemical, Biological, Radiological, and Nuclear Defense
FM 31-70	Basic Cold Weather Manual
FM 31-71	Northern Operations
FM 90-6	Mountain Operations

**MISCELLANEOUS PUBLICATIONS**

AFR 66-1	Air Force Maintenance Forms and Records
AR 700-138	Army Logistics Readiness and Sustainability
AR 735-11-2	Reporting of Supply Discrepancies
AR 750-1	Army Materiel Maintenance Policy and Retail Maintenance Operations
AR 750-244-2	Procedures for Destruction of Electronics Materiel to Prevent Enemy Use
CTA 8-100	Army Medical Department Expendable/Durable Items
CTA 50-970	Expendable Items (Except Medical Class V, Repair Parts, and Heraldic Items)

**END OF WORK PACKAGE**

**OPERATOR MAINTENANCE**

**60 kW 50/60 AND 400 Hz SKID MOUNTED TACTICAL QUIET GENERATOR SETS  
COMPONENTS OF END ITEM (COEI) AND BASIC ISSUE ITEMS (BII) LISTS**

**INTRODUCTION**

**Scope**

This work package lists COEI and BII for the generator set to help you inventory items for safe and efficient operation of the equipment.

**General**

The COEI and BII information is divided into the following lists:

Components of End Item (COEI). This list is for information purposes only and is not authority to requisition replacements. These items are part of the end item. As part of the end item, these items must be with the end item whenever it is issued or transferred between property accounts. Items of COEI are removed and separately packaged for transportation or shipment only when necessary. Illustrations are furnished to help you find and identify the items.

Basic Issue Items (BII). These essential items are required to place the generator set in operation, operate it, and to do emergency repairs. Although shipped separately packaged, BII must be with the generator set during operation and when it is transferred between property accounts. Listing these items is your authority to request/requisition them for replacement based on authorization of the end item by the TOE/MTOE. Illustrations are furnished to help you find and identify the items.

**Explanation of Columns in the COEI List and BII List**

Column (1) Illus Number. Gives you the number of the item illustrated.

Column (2) National Stock Number (NSN). Identifies the stock number of the item to be used for requisitioning purposes.

Column (3) Description, Part Number/(CAGEC). Identifies the Federal item name (in all capital letters) followed by a minimum description when needed. The stowage location of COEI and BII is also included in this column. The last line below the description is the part number and the Commercial and Government Entity Code (CAGEC) (in parentheses).

Column (4) Usable On Code. When applicable, gives you a code if the item you need is not the same for different models of equipment.

Column (5) U/I. Unit of Issue (U/I) indicates the physical measurement or count of the item as issued per the National Stock Number shown in column (2).

Column (6) Qty Rqr. Indicates the quantity required.

**Table 1. Components of End Item List.**

(1) Illus Number	(2) National Stock Number (NSN)	(3) Description, Part Number / (CAGEC)	(4) Usable On Code	(5) U/I	(6) Qty Rqr
		NONE			

<p><b>LUBRICATION ORDER</b> 30 OCTOBER 1996</p>	<p><b>LO 9-6115-645-12</b> <b>LI 09244A/09245A-12</b></p>		
<p>This Lubrication Order supersedes LO 9-6115-645-12/ LI 09244A/09245A-12, dated 30 December 1992.</p>			
<p><b>GENERATOR SET, SKID MOUNTED</b> <b>TACTICAL QUIET 60kW, 50/60 AND 400 Hz</b></p>			
<u><b>DOD MODEL</b></u>	<u><b>CLASS</b></u>	<u><b>HERTZ</b></u>	<u><b>NSN</b></u>
<b>MEP-806A</b>	<b>TACTICAL QUIET</b>	<b>50/60</b>	<b>6115-01-274-7390</b>
<b>MEP-816A</b>	<b>TACTICAL QUIET</b>	<b>400</b>	<b>6115-01-274-7395</b>
<p>Reference: TM 9-6115-645-10.</p> <p>DISTRIBUTION STATEMENT A-Approved for public release; distribution is unlimited.</p>			
<p><b>REPORTING ERRORS AND RECOMMENDING IMPROVEMENTS</b></p>			
<p>You can help improve this publication. If you find any mistakes or if you know a way to improve these procedures, please let us know. Mail your letter or DA Form 2028 (Recommended Changes to Publications and Blank Forms), or DA-Form 2028-2 to:</p>			
<p>(A) Commander, U.S. Army Aviation and Troop Command ATTN: AMSAT-I-MP, 4300 Goodfellow Blvd., St. Louis, MO 63120-1798. You may also submit your recommended changes by E-mail directly to &lt;mpmt%avma28@st-louis-emh7.army.mil&gt;. A reply will be furnished directly to you. Instructions for sending an electronic 2028 may be found at the back of this publication.</p>			
<p>(MC) Commander, Marine Corps Logistics Bases (Code 850), Albany, GA 31704-5000. A reply will be furnished to you.</p>			
<p><b>NOTES</b></p>			
<p>Intervals (on-condition or hard time) and the related man-hour times are based on normal operation. The man-hour time specified is the time you need to do all the services prescribed for a particular interval. On-condition (OC) oil sample intervals shall be applied unless changed by the Army Oil Analysis Program (AOAP) laboratory. Change the hard time interval if your lubricants are contaminated or if you are operating the equipment under adverse operating conditions, including longer-than-usual operating hours. The hard time interval may be extended during periods of low activity. If extended, adequate preservation precautions must be taken. Hard time intervals will be applied in the event AOAP laboratory support is not available.</p>			
<p>Lubrication points are indicated by arrow shafts on the equipment.</p>			
<p>The lowest level of maintenance authorized to lubricate a point is Unit Maintenance (C).</p>			
<p>Warm engine oil by running engine for approximately 5 minutes prior to draining crankcase.</p>			
<p><b>Card 1 of 4</b></p>			

**Figure 1. Item 1. Basic Issue Items Lubrication Order LO 9-6115-645-12.**

**\*ARMY TM 9-6115-645-10  
AIR FORCE TO 35C2-3-444-11  
MARINE CORPS TM 09244A/09245A-10/1**

---

TECHNICAL MANUAL

OPERATOR'S MANUAL

FOR

**GENERATOR SET, SKID MOUNTED, TACTICAL QUIET,  
60 kW, 50/60 Hz**

**MEP-806A**

**(NSN: 6115-01-274-7390) (EIC: N/A)**

**GENERATOR SET, SKID MOUNTED, TACTICAL QUIET,  
60 kW, 400 Hz**

**MEP-816A**

**(NSN: 6115-01-274-7395) (EIC: N/A)**

\***SUPERSEURE NOTICE** - This manual supersedes TM 9-6115-645-10 dated 30 July 1993. Date of issue for the revised manual is: 15 February 2010.

**DISTRIBUTION STATEMENT A** - Approved for public release; distribution is unlimited.

---

**HEADQUARTERS, DEPARTMENTS OF THE ARMY AND THE  
AIR FORCE AND HEADQUARTERS, U.S. MARINE CORPS  
15 FEBRUARY 2010**

Figure 2. Item 2. Basic Issue Items Technical Manual TM 9-6115-645-10.

\* ARMY TB 9-6115-645-24  
MARINE CORPS SI 09244A/09245A-24

DEPARTMENT OF THE ARMY TECHNICAL BULLETIN

---

WARRANTY PROGRAM  
FOR  
GENERATOR SET, TACTICAL QUIET  
60 KW, 50/60 AND 400 HZ  
MEP-806A AND MEP-816A

---

Headquarters, Department of the Army, Washington, D.C.

30 OCTOBER 1996

---

\*This bulletin supersedes TB 9-6115-645-24/SI 09244A/09245A-24, dated 30 December 1992.

---

**DISTRIBUTION STATEMENT A: Approved for public release; distribution is unlimited**

---

**REPORTING ERRORS AND RECOMMENDING IMPROVEMENTS**

You can help improve this manual. If you find a mistake or if you know a way to improve the procedures, please let us know.

(A) - ARMY: Mail your letter or DA Form 2028 (Recommended Changes to Publications and Blank Forms), or DA-Form 2028-2 located in the back of this manual directly to Commander, U.S. Army Aviation and Troop Command ATTN: AMSAT-I-MP, 4300 Goodfellow Blvd., St. Louis, MO 63120-1798. You may also submit your recommended changes by E-mail directly to <mpmt%avma28@st-louis-emh7.army.mil>. Instructions for sending an electronic 2028 may be found at the back of this manual immediately preceding the hard copy 2028.

(MC) - MARINE CORPS: NAVMC Form 10772 directly to: Commander, Marine Corps Logistics Bases (Code 850), Albany, GA 31704-5000.

A reply will be furnished directly to you.

---

**1. General.**

a. This Warranty Technical Bulletin (WTB) provides guidance for the Warranty Control Office and user activities in managing and complying with the manufacturer's warranty for the Diesel Engine Generator Sets, 60 KW, 50/60 and 400 Hz, designated MEP-806A and MEP-816A. The generator sets were manufactured by Libby Corporation, Kansas City, MO under prime contract DAAK01-88-D-D082, and Fermont Division, Dynamics Corporation of America, Bridgeport, CT under prime contract DAAK01-94-D-0036. Refer to Appendix A for serial number effectivity.

b. This warranty is designed to indemnify the Government and provide an additional incentive for the manufacturers to deliver a quality product. Due to warranty claim(s) processing time, the warranty is not an appropriate vehicle for maintaining readiness of Tactical Quiet Generators. The normal supply system should be used to maintain readiness. Parts provided in response to warranty claims should be used to replenish your supply stocks.

Figure 3. Item 3. Basic Issue Items Warranty Technical Bulletin TB 9-6115-645-24.

Table 2. Basic Issue Items List.

(1) Illus Number	(2) National Stock Number (NSN)	(3) Description, Part Number / (CAGEC)	(4) Usable On Code	(5) U/I	(6) Qty Rqr
1		LUBRICATION ORDER, LO 9-6115-645-12		EA	1
2		TECHNICAL MANUAL, TM 9-6115-645-10		EA	1
3		WARRANTY TECHNICAL BULLETIN, TB 9-6115-645-24		EA	1

END OF WORK PACKAGE





**OPERATOR MAINTENANCE****60 kW 50/60 AND 400 Hz SKID MOUNTED TACTICAL QUIET GENERATOR SETS****ADDITIONAL AUTHORIZATION LIST (AAL)****INTRODUCTION****Scope**

This work package lists additional items you are authorized for the support of the generator set.

**General**

This list identifies items that do not have to accompany the generator set and that do not have to be turned in with it. These items are all authorized to you by CTA, MTOE, TDA, or JTA.

**Explanation of Entries in the AAL**

Column (1) National Stock Number (NSN). Identifies the stock number of the item to be used for requisitioning purposes.

Column (2) Description, Part Number/(CAGEC). Identifies the Federal item name (in all capital letters) followed by a minimum description when needed. The last line below the description is the part number and the Commercial and Government Entity Code (CAGEC) (in parentheses).

Column (3) Usable On Code. When applicable, gives you a code if the item you need is not the same for different models of equipment.

Column (4) U/I. Unit of Issue (U/I) indicates the physical measurement or count of the item as issued per the National Stock Number shown in column (1).

Column (5) Qty Recm. Indicates the quantity recommended.

**Table 1. Additional Authorization List.**

(1) National Stock Number (NSN)	(2) Description, Part Number / (CAGEC)	(3) Usable On Code	(4) U/I	(5) Qty Recm
5342-00-066-1235	ADAPTER, CONTAINER 13211E7541 (97403)		EA	1
4210-00-361-6921	EXTINGUISHER, FIRE, CARBON DIOXIDE, 5 LB 322 (54905)		EA	1
7240-00-177-6154	FLEXIBLE SPOUT MIL-S-1285 (81349)		EA	1
7240-01-337-5269	FUEL CAN		EA	1
5120-01-013-1676	HAMMER, SLIDE, GROUND 0116-1810 (93742)		EA	1

**END OF WORK PACKAGE**



## OPERATOR MAINTENANCE

**60 kW 50/60 AND 400 Hz SKID MOUNTED TACTICAL QUIET GENERATOR SETS  
EXPENDABLE AND DURABLE ITEMS LIST**

**EXPENDABLE AND DURABLE ITEMS LIST****Scope**

This work package lists expendable and durable items that you will need to operate and maintain the generator set. This list is for information only and is not authority to requisition the listed items. These items are authorized to you by CTA 50-970, Expendable/Durable Items (Except Medical, Class V Repair Parts, and Heraldic Items), CTA 50-909, Field and Garrison Furnishings and Equipment or CTA 8-100, Army Medical Department Expendable/Durable Items.

**Explanation of Columns in the Expendable/Durable Items List**

Column (1) Item No. This number is assigned to the entry in the list and is referenced in the narrative instructions to identify the item (e.g., Use brake fluid (WP 0098, Item 5)).

Column (2) Level. This column identifies the lowest level of maintenance that requires the listed item (include as applicable: C = Crew, O = AMC, F = Maintainer or ASB, H = BelowDepot or TASMG, D = Depot).

Column (3) National Stock Number (NSN). This is the NSN assigned to the item which you can use to requisition it.

Column (4) Item Name, Description, Part Number/(CAGEC). This column provides the other information you need to identify the item. The last line below the description is the part number and the Commercial and Government Entity Code (CAGEC) (in parentheses).

Column (5) U/I. Unit of Issue (U/I) code shows the physical measurement or count of an item, such as gallon, dozen, gross, etc.

**Table 1. Expendable and Durable Items List.**

(1) Item No.	(2) Level	(3) National Stock Number (NSN)	(4) Item Name, Description, Part Number / (CAGEC)	(5) U/I
1	F	8040-00-664-4318	Adhesive 9995460 (18876)	EA
2	F	6850-00-181-7929	Antifreeze A-A-52624 (81349)	GL
3	F	6850-01-331-3349	Cleaning compound, solvent P-D-680 (81348)	EA
4	F	6850-01-331-3350	Cleaning compound, solvent P-D-680 (81348)	EA
5	F	7920-01-338-3329	Cloth, Cleaning	EA
6	F	9150-00-190-0904	Grease, Automotive/artillery GAA MIL-PRF-10924 (81349)	EA
7	F	9150-00-189-6727	Oil, Lubrication OE/HDO-10 MIL-PRF-2104 (81349)	EA
8	F		Solder Sn60Pb40 (81348)	EA
9	F	6810-00-107-1510	Water, Distilled	GL

**END OF WORK PACKAGE**



**CHAPTER 6**

**OPERATOR SUPPORTING INFORMATION**

**FOR**

**60 kW 50/60 AND 400 Hz SKID MOUNTED TACTICAL  
QUIET GENERATOR SETS**

CHAPTER 6  
WINTERIZATION KIT

**WORK PACKAGE INDEX**

---

<b><u>Title</u></b>	<b><u>WP Sequence No.</u></b>
Winterization Kit, General Information.....	0024
Winterization Kit, Equipment Description and Data.....	0025
Winterization Kit, Troubleshooting Procedures .....	0026
Winterization Kit, Preventive Maintenance Checks and Services (PMCS) Introduction.....	0027
Winterization Kit, Preventive Maintenance Checks and Services (PMCS) .....	0028
Winterization Kit, Maintenance Procedures.....	0029

---

**OPERATOR MAINTENANCE****60 kW 50/60 AND 400 Hz SKID MOUNTED TACTICAL QUIET GENERATOR SETS  
WINTERIZATION KIT, GENERAL INFORMATION**

---

**SCOPE**

This Winterization Kit (NSN 6115-01-474-8344) is designed to be mounted in 60 kW Tactical Quiet Generator (TQG) Sets where extreme cold temperatures are anticipated. The kit contains a coolant heater that allows the generator set to operate to -50 °F (-45.6 °C). The kit heater pump circulates the generator set coolant through the heater pump, heats the coolant and then returns the coolant back through the radiator of the generator set. This cycle continues in high heat mode until the temperature reaches 176 °F (80 °C). The heater then switches into a low heat mode. If the coolant temperature drops to 158 °F (70 °C) the heater will automatically switch to the high heat mode.

**END OF WORK PACKAGE**





---

**OPERATOR MAINTENANCE****60 kW 50/60 AND 400 Hz SKID MOUNTED TACTICAL QUIET GENERATOR SETS  
WINTERIZATION KIT, EQUIPMENT DESCRIPTION AND DATA**

---

**EQUIPMENT CHARACTERISTICS, CAPABILITIES AND FEATURES****Characteristics**

The Winterization Kit contains a coolant heater that heats the coolant and allows the generator set to operate to -50 °F (-45.6 °C).

**Capabilities and Features**

The heater burns fuel from the generator set fuel tank to heat the coolant that is pumped back through the engine block. The kit consists of a heater and coolant pump, a control unit, an ON-OFF switch, a fuel pump and line, coolant circulating lines, a wiring harness and mounting hardware to ensure operation to -50 °F (-45.6 °C).

**LOCATION AND DESCRIPTION OF MAJOR COMPONENTS**

Figure 1 illustrates the major components of the kit and shows their locations on the 60 kW TQG Set. (Refer to Table 1 for item names).

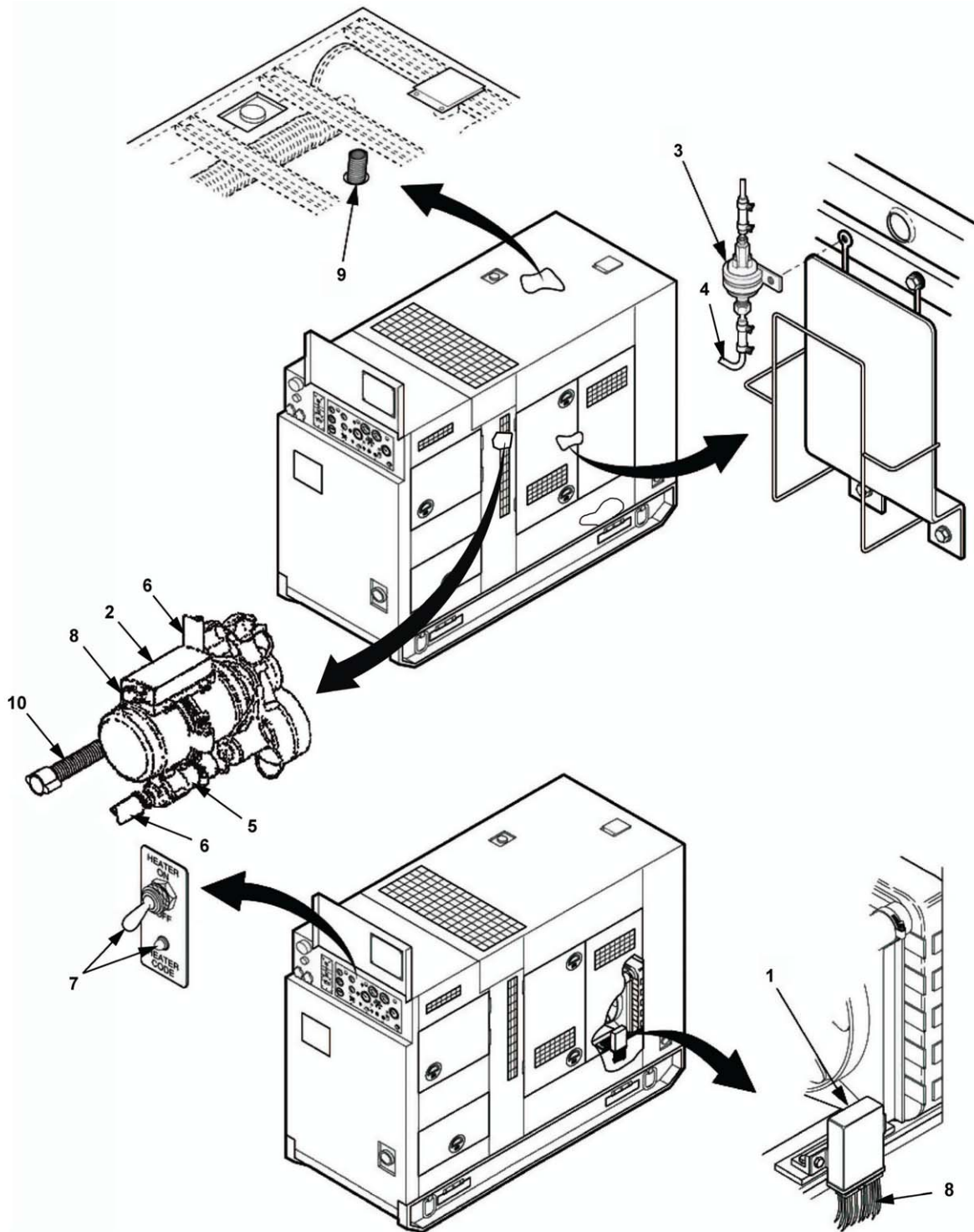


Figure 1. Location of Major Components.

**Table 1. Description of Major Winterization Kit Components.**

Item No.	Item Name	Description
1	Winterization Kit	A fuel-burning heater, pre-heats engine coolant permitting generator set operation to -50 °F (-45.6 °C).
2	Control Unit	Controls heater operations.
3	Heater	Heats coolant for operation in extreme cold temperatures.
4	Fuel Pump	Pumps fuel from the generator set fuel tank to the heater.
5	Fuel Lines	Provides a means of transporting fuel to heater.
6	Coolant Pump	Circulates coolant from generator set through the heater.
7	Coolant Lines	Provides a means of transporting coolant for circulation.
8	Switch / Lamp	Switches heater on or off / indicates heater function codes.
9	Wiring Harness	Electrically connects Winterization Kit components.
10	Exhaust Hose	Provides a means of exhausting combustion gases from heater.
11	Air Inlet Hose	Provides intake air to Winterization Kit heater.

**TABULATED/ILLUSTRATED DATA**

Tabulated data for the heater is located in Table 2.

**Table 2. Heater Operating Data.**

Item Name	Data
1. Winterization Kit	
a. National Stock Number	6115-01-474-8344
b. Overall Length	10.787 inches
c. Overall Width	5.984 inches
d. Overall Height	7.815 inches
e. Weight	15 lbs
2. Heater	
a. Manufacturer	Active Gear
b. Model	D5W
3. Heating Capacity	Water Coolant
	High: 17,000 BTU/Hr.
	Low: 4250 BTU/Hr.
4. Rated Voltage	24 VDC
a. Operating Voltage Range	20 to 28 VDC
b. Current at 24 VDC	Start: 20 Amps/Hr.
	Running High: 1.8 Amps/Hr.
	Running Low: 1.2 Amps/Hr.

Table 2. Heater Operating Data. - Continued

Item Name	Data
5. Fuel Fuel Consumption	Diesel High: 0.06 Gal/Hr. Low: 0.04 Gal/Hr.
6. Coolant Pump Flow	250 Gal/Hr.

END OF WORK PACKAGE

**OPERATOR MAINTENANCE****60 kW 50/60 AND 400 Hz SKID MOUNTED TACTICAL QUIET GENERATOR SETS  
WINTERIZATION KIT, TROUBLESHOOTING PROCEDURES****GENERAL**

Refer to WP 0008 for generator set troubleshooting procedures. This section lists common malfunctions you may find during operation of the generator set with the Winterization Kit installed and the generator set is running. You should perform the tests/inspections and corrective actions in the order listed. The troubleshooting symptom index cannot list all faults that may occur, nor all the tests or inspections and corrective actions. If a malfunction is not listed or cannot be corrected by listed corrective actions, notify your supervisor.

**Code Light Troubleshooting**

The indicator light near the heater switch is designed to blink on codes sequences to signal malfunctions in the system; refer to Code Light Pulses.

**Code Light Pulses**

The indicator light near the heater ON-OFF switch will blink in different sequences of long and short to indicate malfunctions. A plate (Figure 1) mounted on the generator control panel access door lists the malfunctions and shows each sequence of pulses. If you see any of these series of pulses, notify the next-higher level of maintenance.

**NOTE**

Before performing troubleshooting procedures, turn off heater and attempt restart.

**SYMPTOM INDEX, WINTERIZATION KIT****NOTE**

When the heater is switched on, the light will perform one of the sequences of light pulses shown visually on the Function Codes Plate mounted inside the generator control panel cover (Figure 1). Before each symptom, this index lists in parentheses the light sequence associated with it.

- (long dash, short dash, long dash) - Start, glow period
- (long dash, short dash, long dash) - Start, glow period
- (continuous dash) - Normal Function
- (long dash, long dash) - Purge Cycle and Restart
- (dash, dash) - Heater Restart attempted During Purge Cycle
- (dash, 5 dots, dash) - Warning: Power supply
- (10 dots) -Overheating
- (dot, dot) - Flame Sensor Short-circuit
- (2 dots, 2 dots) - Flame Cutout-LOW
- (3 dots, 3 dots) - Flame Cutout-HIGH
- (4 dots, 4 dots) - Glow Plug Defect
- (dash, dash) - Burner Motor Defect
- (dash, dot, dash, dot) - Under voltage
- (dash, 2 dots, dash, 2 dots) - Over voltage
- (dash, 3 dots, dash, 3 dots) - Non-start
- (2 dots, dash, 2 dots, dash) - Temperature Sensor Defective
- (3 dots, dash, 3 dots, dash) - Fuel pump short circuit

- (2 dots, dash, 3 dots, dash, dot) - Temperature switch defective
- (4 dashes) - Control unit defective
- (dot, dash, 3 dots, dash, 2 dots) - Connection error

HEATER FUNCTION CODES		
SIGNAL	FUNCTION	
██████████ ███ ██████████	START, GLOW PERIOD	OPERATION
████████████████████	NORMAL FUNCTION	
████████████████████ ███ ██████████	PURGE CYCLE AND RESTART	
██████████ ███ ███ ███ ███ ██████████	WARNING: POWER SUPPLY	MALFUNCTION
██ ███ ███ ███ ███ ███ ███ ███ ███	OVERHEATING	
██ ██████████ ███	FLAME SENSOR SHORT CIRCUIT	
██ ███ ██████████ ███ ███	FLAME CUTOUT-LOW	
██ ███ ███ ██████████ ███ ███ ███	FLAME CUTOUT-HIGH	
██ ███ ███ ███ ██████████ ███ ███ ███	GLOW PLUG DEFECT	
██████████ ██████████	BURNER MOTOR DEFECT	
██████████ ███ ██████████ ███	UNDERVOLTAGE	
██████████ ███ ███ ██████████ ███ ███	OVERVOLTAGE	
██████████ ███ ███ ███ ██████████ ███ ███ ███	NO START, SAFETY START TIME	
██ ███ ██████████ ███ ███ ██████████	TEMPERATURE SENSOR DEFECTIVE	
██ ███ ██████████ ███ ███ ██████████ ███	FUEL PUMP SHORT CIRCUIT	
██████████ ██████████ ██████████ ██████████	TEMPERATURE SWITCH DEFECTIVE	
██████████ ██████████ ██████████ ██████████	CONTROL UNIT DEFECTIVE	
██ ██████████ ███ ███ ██████████ ███ ███	CONNECTOR ERROR	

NOTE: A DOT IS APPROXIMATELY .3 SECONDS, A DASH IS APPROXIMATELY 1.3 SECONDS, A TYPICAL SPACE BETWEEN SIGNALS IS APPROXIMATELY .3 SECONDS, AND TOTAL TIME FOR CODES IS 8 SECONDS.

Figure 1. Heater Function Codes Plate.

END OF WORK PACKAGE

## OPERATOR MAINTENANCE

### 60 kW 50/60 AND 400 Hz SKID MOUNTED TACTICAL QUIET GENERATOR SETS

#### WINTERIZATION KIT, PREVENTIVE MAINTENANCE CHECKS AND SERVICES (PMCS) INTRODUCTION

#### GENERAL

WP 0027, Table 1 (PMCS Table) has been provided so you can keep your equipment in good operating condition and ready for its primary mission.

#### Warnings, Cautions, and Notes

Always observe the **WARNINGS**, **CAUTIONS**, and **NOTES** appearing in your PMCS table. Warnings and cautions appear before applicable procedures. You must observe these **WARNINGS** to prevent serious injury to yourself and others. You must observe **CAUTIONS** to prevent your equipment from being damaged. You must observe **NOTES** to ensure procedures are performed properly.

#### Explanation of Table Entries

The PMCS Table is divided into five columns. Each column is explained in the following paragraphs.

**Item No. Column.** Numbers in this column are for reference. When completing DA Form 2404 (Equipment Inspection and Maintenance Worksheet), include the item number for the check/service indicating a fault. Item numbers also appear in the order that you must do checks and services for the intervals listed.

**Interval Column.** This column tells you when you must do the procedure in the procedure column. "Before" procedures must be done before you operate the power plant or power unit for its intended mission. "During" procedures must be done during the time you are operating the power plant or power unit for its intended mission. "After" procedures must be done immediately after you have operated a power plant, immediately after shutting down one of the generator sets on a power plant, or immediately after you have operated a power unit. Perform "Weekly" procedures at the listed interval.

**Item to be Checked or Serviced Column.** This column lists the location and the item to be checked or serviced. The item location is underlined.

**Procedure Column.** This column gives the procedure for checking or servicing the item listed in the location, item to check/service column. You must perform the procedure to know if the power plant or power unit is ready or available for its intended mission or operation. You must do the procedure at the time stated in the interval column.

**Equipment Not Ready/Available if: Column.** Information in this column tells you what faults will keep your power plant or power unit from being capable of performing its primary mission. If you make checks or services that show faults listed in this column, do not operate the power plant or power unit.

#### Other Table Entries

Be sure to observe all special information and notes that appear in your table.

#### Special Instructions

Preventive maintenance is not limited to performing the checks and services listed in the PMCS Table. Covering unused receptacles, stowing unused accessories and performing other routine procedures such as equipment inventory, cleaning components, and touch-up painting are not listed in the table. These are things you should do any time you see that they need to be done. If a routine check is listed in the PMCS Table, it is because experience has shown that problems may occur with this item. Take along tools and cleaning cloths needed to perform the required checks and services. Use the information in the following paragraphs to help you identify problems at any time and to help identify potential problems before and during checks and services.

### WARNING



High voltage is produced when this generator set is in operation. Ensure engine control and DEAD CRANK switches are set to OFF, negative battery cable is disconnected, and unit is completely shut down and free of any power source before attempting any troubleshooting or maintenance on unit. Failure to comply may cause injury or death to personnel.

**WARNING**

Solvent used to clean parts is potentially dangerous to personnel and property. Clean parts in a well-ventilated area. Avoid inhalation of solvent fumes. Wear goggles and rubber gloves to protect eyes and skin. Wash exposed skin thoroughly. Do not smoke or use near open flame or excessive heat. Failure to comply with this warning can cause injury to personnel, and damage to the equipment.

**CAUTION**

Keep cleaning solvents, fuels and lubricants away from rubber or soft plastic parts. They will deteriorate material.

1. Keep the generator set clean. Dirt, grease, and oil get in the way and may cover up a serious problem. Use cleaning solvent to clean metal services.
2. Use soap and water to clean rubber or plastic parts and material.
3. Check all bolts, nuts, and screws to make sure they are not loose, missing, bent, or broken. Do not try to check them all with a tool, but look for chipped paint, bare metal, or rust around bolt heads. If you find one loose, tighten it or report it to the next-higher level of maintenance.
4. Inspect welds. Look for loose or chipped paint, rust, or gaps where parts are welded together. If a broken weld is found, report it to the next-higher level of maintenance.
5. Inspect electrical wires, connectors, terminals, and receptacles. Look for cracked or broken insulation, bare wires, and loose or broken connectors. Tighten loose connectors and make sure wires are in good condition. Examine terminals and receptacles for serviceability. If deficiencies are found, report them to the next-higher level of maintenance.
6. Inspect hoses and fluid lines. Look for wear, damage, and leaks. Make sure that clamps and fittings are tight. Wet spots and stains around a fitting or connector can mean a leak. If a leak comes from a loose connector or if something is broken or worn out, report it to the next-higher level of maintenance.

**Leakage Definitions**

You must know how fluid leakage affects the status of your equipment. The following are definitions of the types/classes of leakage you need to know to be able to determine the status of your equipment. Learn and be familiar with them. When in doubt, notify your supervisor.

<b>Leakage Class</b>	<b>Leakage Definition</b>
Class I	Seepage of fluid (as indicated by wetness or discoloration) not great enough to form drops.
Class II	Leakage of fluid great enough to form drops, but not enough to cause drops to drip from the item being checked/inspected.
Class III	Leakage of fluid great enough to form drops that fall from the item being checked/inspected.

**Order in Which PMCS Will Be Done**

Figure 1 shows the order in which you are to perform your PMCS. The figure shows a generator set to which a kit has been added. The number call outs on Figure 1 correspond to the numbers in the Item No. column of WP 0028, Table 1 (for BEFORE/DURING/AFTER PMCS).

**NOTE**

Be sure Generator Set PMCS is completed first in accordance with WP 0010.



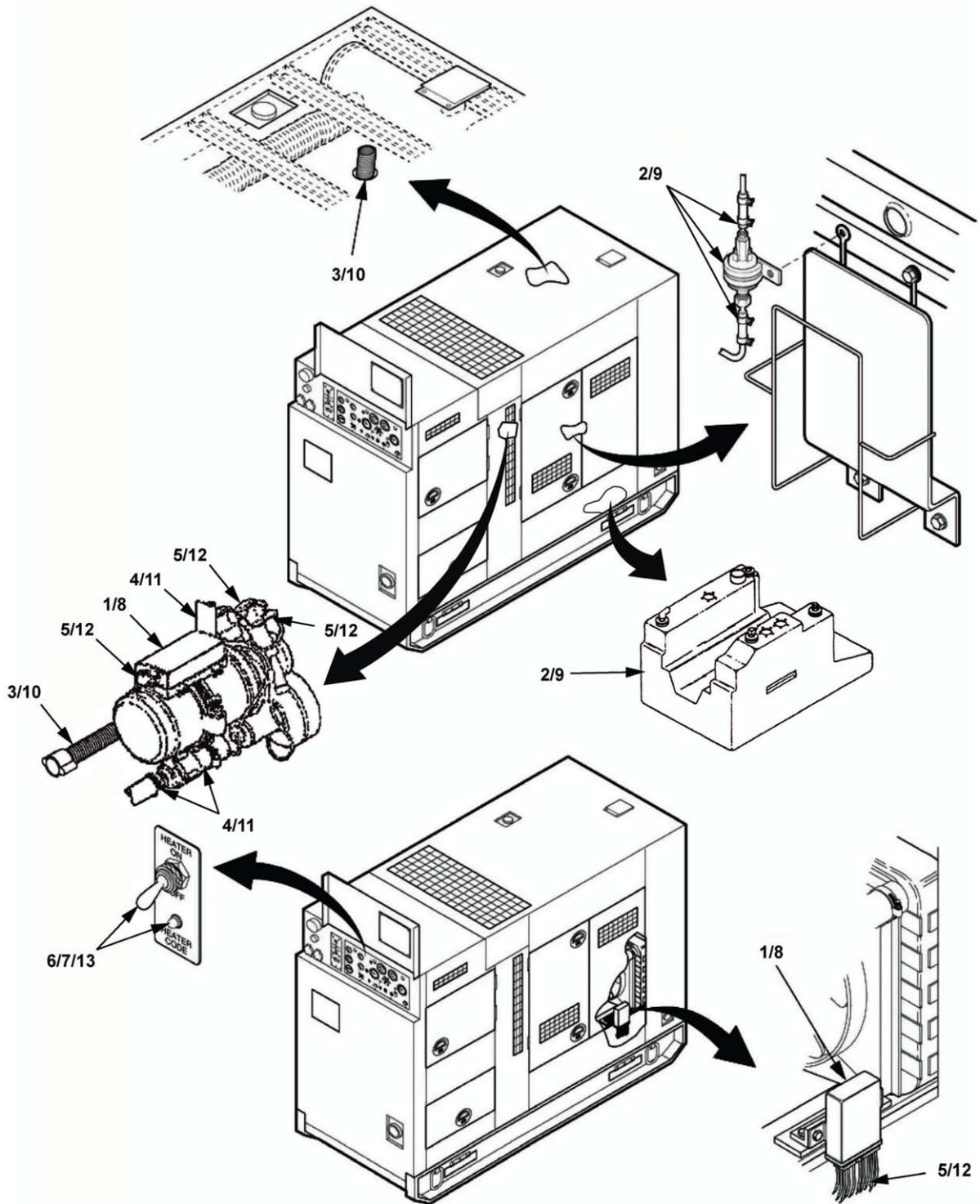


Figure 1. Operator PMCS Routing Diagram.

END OF WORK PACKAGE



## OPERATOR MAINTENANCE

**60 kW 50/60 AND 400 Hz SKID MOUNTED TACTICAL QUIET GENERATOR SETS  
WINTERIZATION KIT, PREVENTIVE MAINTENANCE CHECKS AND SERVICES (PMCS)**

**NOTE**

Be sure that Generator Set PMCS is completed first in accordance with WP 0010 and TM 9-6115-644-10 (Chapter 2).

**Table 1. Operator Preventive Maintenance Checks and Services.**

ITEM NO.	INTERVAL	ITEM TO BE CHECKED OR SERVICED	PROCEDURE	EQUIPMENT NOT READY/AVAILABLE IF:
1	Before	<b>VISUAL INSPECTION</b> HEATER ASSEMBLY	a. Check for damage.  b. Ensure that heater assembly is mounted securely.	Damage that renders equipment unsafe. Heater not mounted securely.
		CONTROL UNIT	Check for loose or broken wires or damage.	Wires loose or broken or control unit damaged.
2	Before	FUEL LEVEL	Check for sufficient fuel supply.	Generator is low on fuel.
		FUEL LINES	Inspect winterization kit fuel lines for kinks, leaks, loose or damaged clamps.	Fuel lines damaged; clamps missing.
		FUEL PUMP	Inspect fuel pump for leaks.	Any fuel leak.
3	Before	EXHAUST HOSE	Inspect for obstruction, missing or damaged mounting clamp.	Hose obstructed; hose or clamp missing or damaged.
		AIR INLET HOSE	Inspect for obstruction, missing or damaged mounting clamp.	Inlet hose obstructed.
<b>WARNING</b>				
Cooling system operates at high temperatures and pressure. Contact with high pressure steam and/or liquids can result in burns and scalding. Shut down generator set, and allow system to cool before performing checks, services and maintenance, or wear gloves and additional protective clothing and goggles as required. Failure to comply with this warning can cause injury or death to personnel.				
4	Before	WINTERIZATION KIT COOLANT LINES	Inspect for loose, damaged or missing clamps.  Inspect for leaks.	Class III leaks or missing clamps or hoses. Class III leaks or missing clamps or hoses.
		COOLANT PUMP	Inspect for leaks.	Class III leaks or missing clamps or hoses.
5	Before	WIRE HARNESS	Inspect wiring for burned or frayed insulation or loose terminals.	Wiring is loose or burned.
6	Before	HEATER CONTROL AND SWITCH LAMP	Check that indicator light is operable.  Check Heater Function Code Plate.	Indicator light not operable. Heater Function Code Plate missing.

Table 1. Operator Preventive Maintenance Checks and Services. - Continued

ITEM NO.	INTERVAL	ITEM TO BE CHECKED OR SERVICED	PROCEDURE	EQUIPMENT NOT READY/AVAILABLE IF:
7	During	HEATER CONTROL AND SWITCH LAMP	a. Check that indicator light is on when heater is operating. b. Check Heater function Code Plate.	Lamp blinks showing failure in accordance with Heater Function Code Plate.
8	After	HEATER ASSEMBLY  CONTROL UNIT	a. Check for damage.  b. Ensure that heater assembly is mounted securely.  Loose or broken wires or damage.	Damage that renders equipment unsafe.  Heater not mounted securely.  Wires loose or broken or control unit damaged.
9	After	FUEL LEVEL FUEL LINES  FUEL PUMP	Check for sufficient fuel supply.  Inspect winterization kit fuel lines for kinks, leaks, loose or damaged clamps.  Inspect fuel pump for leaks.	Generator is low on fuel.  Fuel lines damaged, clamps missing, or any leaks.  Any fuel leak.
10	After	EXHAUST HOSE  AIR INLET HOSE	Inspect for obstruction, missing or damaged mounting clamp.  Inspect for obstruction, missing or damaged mounting clamp.	Obstructed exhaust.  Air inlet obstructed.
<b>WARNING</b>				
Cooling system operates at high temperatures and pressure. Contact with high pressure steam and/or liquids can result in burns and scalding. Shut down generator set, and allow system to cool before performing checks, services and maintenance, or wear gloves and additional protective clothing and goggles as required. Failure to comply with this warning can cause injury or death to personnel.				
11	After	WINTERIZATION KIT COOLANT LINES  COOLANT PUMP	Inspect for loose, damaged, or missing clamps.  Inspect for leaks.  Inspect for leaks.	Class III leaks or missing clamps or hoses.  Class III leaks or missing clamps or hoses.  Class III leaks or missing clamps or hoses.
12	After	WIRE HARNESS	Inspect wiring for burned or frayed insulation or loose terminals.	Wiring is loose or damaged.
13	After	HEATER CONTROL AND SWITCH LAMP	Check that indicator light is operable.  Check Heater Function Code Plate.	Indicator light not operable.  Heater Function Code Plate missing.

END OF WORK PACKAGE

---

**OPERATOR MAINTENANCE****60 kW 50/60 AND 400 Hz SKID MOUNTED TACTICAL QUIET GENERATOR SETS  
WINTERIZATION KIT, MAINTENANCE PROCEDURES**

---

**MAINTENANCE**

Refer to Chapter 4, Maintenance Instructions, WP 0012 through WP 0018 for generator set maintenance procedures. Operator maintenance functions for the kit are limited to those described in WP 0027, Table 1, Operator Preventive Maintenance Checks and Services.

**END OF WORK PACKAGE**



INDEX

<u>Subject</u>	<u>WP Sequence No. - Page No.</u>
<b>A</b>	
Abbreviations/Acronyms, List of .....	0001-
AC Generator, Location of.....	0002-3
Additional Authorization List (AAL).....	0022-1
After You Operate PMCS .....	0010-1
Air Cleaner Assembly, Location of .....	0002-3
Air Cleaner Assembly: Inspection, Servicing.....	0015-1
Air Intake and Exhaust System, Description of .....	0003-6
Assembly and Preparation for Use.....	0005-1
<b>B</b>	
Batteries, Location of.....	0002-4
Batteries: Inspection, Servicing .....	0014-1
Battery Charging Alternator, Location of .....	0002-3
Before You Operate PMCS .....	0010-1
<b>C</b>	
Components Of End Item (COEI) and Basic Issue Items (BII) Lists .....	0021-1
Control Panel Assembly, Description of .....	0004-1
Control Panel Assembly, Location of.....	0002-3
Control Panel Controls and Indicators.....	0004-
Convenience Receptacle, Location of.....	0002-3
Convenience Receptacle, Use of .....	0006-4
Coolant Specifications .....	0016-1
Cooling System: Inspection, Servicing .....	0016-1
<b>D</b>	
Daily Checks.....	0005-5
Daily Checks, Initial Adjustments and Self Test .....	0005-5
Dead Crank Switch, Location of.....	0002-4
Description and Use of Operator Controls and Indicators.....	0004-1
Description of Major Winterization Kit Components .....	0025-1
Destruction of Army Materiel to Prevent Enemy Use .....	0001-3
Diesel Fuel Specifications .....	0017-1
Differences Between Models.....	0002-4
Dipstick, Location of .....	0002-3
<b>E</b>	
Emergency Information .....	0007-1
Engine, Location of.....	0002-3
Engine, Servicing Lube Oil .....	0019-1

INDEX

<u>Subject</u>	<u>WP Sequence No. - Page No.</u>
Engine Characteristics, Capabilities and Features.....	0002-4
Engine Cooling System, Description of.....	0003-4
Engine Starting System, Description of.....	0003-1
Equipment Characteristics, Capabilities and Features, Winterization Kit.....	0025-1
Equipment Data.....	0002-4
Equipment Description.....	0002-1
Equipment Description and Data.....	0002-1
Equipment Description and Data, Winterization Kit.....	0025-1
Expendable and Durable Items List.....	0023-1
<b>F</b>	
Fan Belts, Location of.....	0002-3
Fuel Filter/Water Separator, Location of.....	0002-3
Fuel Filter/Water Separator: Inspection, Servicing.....	0018-1
Fuel Specifications.....	0017-1
Fuel System, Description of.....	0003-3
Fuel Tank, Location of.....	0002-3
Fuel Tank: Inspection, Servicing.....	0017-1
<b>G</b>	
General Information.....	0001-1
General Information, Winterization Kit.....	0024-1
Generator Set Inspection and Service.....	0013-1
Grounding Rod, Installation of.....	0005-1
<b>H</b>	
Heater Operating Data.....	0025-3
How to Use This Manual.....	-vi
<b>I</b>	
If Your Equipment Fails to Operate.....	0010-1
Initial Adjustments.....	0005-5
Installation of Grounding Rod.....	0005-1
Installation of Load Cables.....	0005-3
IUID Identification Plates.....	0005-14
<b>L</b>	
Leading Particulars.....	0002-4
Leakage Definitions for Operators PMCS.....	0010-1
Leakage Definitions for Operators PMCS, Winterization Kit.....	0027-1
List of Abbreviations.....	0001-
Load Cables, Installation of.....	0005-3



INDEX

<u>Subject</u>	<u>WP Sequence No. - Page No.</u>
Load Output Terminal Board, Location of.....	0002-3
Location and Description of Major Components.....	0002-1
Location and Description of Major Winterization Kit Components.....	0025-1
Lubrication Order.....	0012-1
Lubrication System, Description of.....	0003-5
Lubrication System: Inspection, Servicing.....	0019-1
<b>M</b>	
Maintenance Forms and Records .....	0001-
Maintenance Procedures, Winterization Kit.....	0029-1
Malfunction Indicator Panel, Description of .....	0004-5
Malfunction Indicator Panel, Location of.....	0002-3
Model Numbers and Equipment Names.....	0001-1
Muffler, Location of.....	0002-3
<b>N</b>	
NATO Slave Receptacle, Location of .....	0002-3
<b>O</b>	
Oil, Engine, Checking and Adding.....	0019-1
Oil Filter, Location of.....	0002-3
Operating Instructions On Plates.....	0005-10
Operating Procedures .....	0005-5
Operation at High Altitudes.....	0006-3
Operation In Dusty Or Sandy Areas .....	0006-1
Operation in Extreme Cold Weather -25 °F (-31 °C).....	0006-1
Operation in Extreme Heat Above 120 °F (48.8 °C).....	0006-1
Operation in Salt Water Areas.....	0006-2
Operation Under Rainy or Humid Conditions .....	0006-2
Operation Under Unusual Conditions.....	0006-1
Operation Under Usual Conditions.....	0005-1
Operation While in Contaminated Areas .....	0006-3
Operator Lubrication Instructions .....	0012-1
Output Supply System, Description of.....	0003-7
<b>P</b>	
Paralleling Receptacle, Location of .....	0002-3
Parallel Unit Operation (Load Sharing).....	0005-7
PMCS Procedures.....	0010-1
PMCS Table .....	0011-1
Preparation for Movement.....	0005-19

INDEX

<u>Subject</u>	<u>WP Sequence No. - Page No.</u>
Preparation For Storage or Shipment.....	0001-3
Preventive Maintenance Checks and Services (PMCS) .....	0011-1
Preventive Maintenance Checks and Services (PMCS), Winterization Kit .....	0028-1
Preventive Maintenance Checks and Services (PMCS) Introduction.....	0010-1
Preventive Maintenance Checks and Services (PMCS) Introduction, Winterization Kit.....	0027-1
Purpose of Equipment.....	0001-1
<b>R</b>	
Radiator, Location of .....	0002-4
References .....	0020-1
Removal from Parallel Operation .....	0005-10
Reporting Equipment Improvement Recommendations (EIR) .....	0001-3
<b>S</b>	
Scope of Technical Manual .....	0001-1
Self Test .....	0005-5
Skid Base, Location of.....	0002-3
Starter, Location of .....	0002-3
Starting Procedure.....	0005-6
Stopping Procedure.....	0005-7
Symptom Index, Troubleshooting.....	0008-1
Symptom Index, Winterization Kit.....	0026-1
<b>T</b>	
Tabulated/Illustrated Data .....	0025-3
Theory Of Operation.....	0003-1
Troubleshooting Index.....	0008-1
Troubleshooting Procedures .....	0009-1
Troubleshooting Procedures, Winterization Kit .....	0026-1
Type of Manual.....	0001-1
<b>V</b>	
Voltage Reconnection Terminal Board, Location of .....	0002-3
<b>W</b>	
Warranty Information.....	0001-3
Water Pump, Location of.....	0002-4
While You Operate PMCS.....	0010-1
Winterization Kit, Description of.....	0003-8
Winterization Kit, Equipment Description and Data.....	0025-1
Winterization Kit, General Information.....	0024-1
Winterization Kit, Location of.....	0002-4

INDEX

<b><u>Subject</u></b>	<b><u>WP Sequence No. - Page No.</u></b>
Winterization Kit, Maintenance Procedures.....	0029-1
Winterization Kit, Preventive Maintenance Checks and Services (PMCS) .....	0028-1
Winterization Kit, Preventive Maintenance Checks and Services (PMCS) Introduction.....	0027-1
Winterization Kit, Troubleshooting Procedures .....	0026-1



<b>RECOMMENDED CHANGES TO PUBLICATIONS AND BLANK FORMS</b> For use of this form, see AR 25-30, the proponent agency is OAASA				Use Part II (reverse) for Repair Parts and Special Tool Lists (RPSTL) and Supply Catalogs/Supply Manuals (SC/SM).		DATE 30 August 2002
TO: (Forward to proponent of publication or form) (Include ZIP Code) Commander, US Army C-E LCMC ATTN: AMSEL-LC-LEO-E-ED Fort Monmouth, NJ 07703-5006				FROM: (Activity and location) (Include ZIP Code) Jane Q. Doe, SFC 1234 Any Street Anytown, AL 34565		
<b>PART I - ALL PUBLICATIONS (EXCEPT RPSTL AND SC/SM) AND BLANK FORMS</b>						
PUBLICATION/FORM NUMBER TM 11-1234-567-14				DATE 16 Sep 2001		TITLE Operator, Field and Sustainment Support Maintenance Manual for Radio, AN/ABC-123
ITEM	PAGE	PARA-GRAPH	LINE	FIGURE NO.	TABLE	RECOMMENDED CHANGES AND REASON
1	VP0005 PG 3		2			Test or Corrective Action column should identify a different VP number.
TYPED NAME, GRADE OR TITLE Jane Q. Doe, SFC				TELEPHONE EXCHANGE/AUTOVON, PLUS EXTENSION 123-4567		SIGNATURE

EXAMPLE

TO: (Forward to proponent of publication or form) (Include ZIP Code)				FROM: (Activity and location) (Include ZIP Code)			DATE	
<b>PART II- REPAIR PARTS AND SPECIAL TOOL LISTS AND SUPPLY CATALOGS/SUPPLY MANUALS</b>								
PUBLICATION/FORM NUMBER				DATE		TITLE		
PAGE NO.	COLM NO.	LINE NO.	NATIONAL STOCK NUMBER	REFERENCE NO.	FIGURE NO.	ITEM NO.	TOTAL NO. OF MAJOR ITEMS SUPPORTED	RECOMMENDED ACTION
<b>EXAMPLE</b>								
PART III - REMARKS (Any general remarks, corrections, additions, or suggestions for improvement of publications and blank forms. Additional space may be used if more space is needed.)								
TYPED NAME, GRADE OR TITLE				TELEPHONE EXCHANGE/AUTOVON, PLUS EXTENSION			SIGNATURE	

<b>RECOMMENDED CHANGES TO PUBLICATIONS AND BLANK FORMS</b> <small>For use of this form, see AR 25-30; the proponent agency is OAASA</small>						Use Part II (reverse) for Repair Parts and Special Tool Lists (RPSTL) and Supply Catalogs/Supply Manuals (SC/SM).	DATE
<b>TO:</b> (Forward to proponent of publication or form) (Include ZIP Code)						<b>FROM:</b> (Activity and location) (Include ZIP Code)	
<b>PART I - ALL PUBLICATIONS (EXCEPT RPSTL AND SC/SM) AND BLANK FORMS</b>							
PUBLICATION/FORM NUMBER						DATE	TITLE
ITEM	PAGE	PARA-GRAPH	LINE	FIGURE NO.	TABLE	RECOMMENDED CHANGES AND REASON	
TYPED NAME, GRADE OR TITLE				TELEPHONE EXCHANGE/AUTOVON, PLUS EXTENSION		SIGNATURE	

<b>TO:</b> <i>(Forward to proponent of publication or form) (Include ZIP Code)</i>				<b>FROM:</b> <i>(Activity and location) (Include ZIP Code)</i>			<b>DATE</b>	
<b>PART II- REPAIR PARTS AND SPECIAL TOOL LISTS AND SUPPLY CATALOGS/SUPPLY MANUALS</b>								
PUBLICATION/FORM NUMBER				DATE		TITLE		
PAGE NO.	COLM NO.	LINE NO.	NATIONAL STOCK NUMBER	REFERENCE NO.	FIGURE NO.	ITEM NO.	TOTAL NO. OF MAJOR ITEMS SUPPORTED	RECOMMENDED ACTION
<b>PART III - REMARKS</b> <i>(Any general remarks or recommendations, or suggestions for improvement of publications and blank forms. Additional blank sheets may be used if more space is needed.)</i>								
TYPED NAME, GRADE OR TITLE			TELEPHONE EXCHANGE/AUTOVON, PLUS EXTENSION			SIGNATURE		



<b>RECOMMENDED CHANGES TO PUBLICATIONS AND BLANK FORMS</b> <small>For use of this form, see AR 25-30; the proponent agency is OAASA</small>						Use Part II (reverse) for Repair Parts and Special Tool Lists (RPSTL) and Supply Catalogs/Supply Manuals (SC/SM).	DATE
<b>TO:</b> (Forward to proponent of publication or form) (Include ZIP Code)						<b>FROM:</b> (Activity and location) (Include ZIP Code)	
<b>PART I - ALL PUBLICATIONS (EXCEPT RPSTL AND SC/SM) AND BLANK FORMS</b>							
PUBLICATION/FORM NUMBER						DATE	TITLE
ITEM	PAGE	PARA-GRAPH	LINE	FIGURE NO.	TABLE	RECOMMENDED CHANGES AND REASON	
TYPED NAME, GRADE OR TITLE				TELEPHONE EXCHANGE/AUTOVON, PLUS EXTENSION		SIGNATURE	

<b>TO:</b> <i>(Forward to proponent of publication or form) (Include ZIP Code)</i>				<b>FROM:</b> <i>(Activity and location) (Include ZIP Code)</i>			<b>DATE</b>	
<b>PART II- REPAIR PARTS AND SPECIAL TOOL LISTS AND SUPPLY CATALOGS/SUPPLY MANUALS</b>								
PUBLICATION/FORM NUMBER				DATE		TITLE		
PAGE NO.	COLM NO.	LINE NO.	NATIONAL STOCK NUMBER	REFERENCE NO.	FIGURE NO.	ITEM NO.	TOTAL NO. OF MAJOR ITEMS SUPPORTED	RECOMMENDED ACTION
<b>PART III - REMARKS</b> <i>(Any general remarks or recommendations, or suggestions for improvement of publications and blank forms. Additional blank sheets may be used if more space is needed.)</i>								
TYPED NAME, GRADE OR TITLE			TELEPHONE EXCHANGE/AUTOVON, PLUS EXTENSION			SIGNATURE		

<b>RECOMMENDED CHANGES TO PUBLICATIONS AND BLANK FORMS</b> <small>For use of this form, see AR 25-30; the proponent agency is OAASA</small>						Use Part II (reverse) for Repair Parts and Special Tool Lists (RPSTL) and Supply Catalogs/Supply Manuals (SC/SM).	DATE
<b>TO:</b> (Forward to proponent of publication or form) (Include ZIP Code)						<b>FROM:</b> (Activity and location) (Include ZIP Code)	
<b>PART I - ALL PUBLICATIONS (EXCEPT RPSTL AND SC/SM) AND BLANK FORMS</b>							
PUBLICATION/FORM NUMBER						DATE	TITLE
ITEM	PAGE	PARA-GRAPH	LINE	FIGURE NO.	TABLE	RECOMMENDED CHANGES AND REASON	
TYPED NAME, GRADE OR TITLE				TELEPHONE EXCHANGE/AUTOVON, PLUS EXTENSION		SIGNATURE	

<b>TO:</b> <i>(Forward to proponent of publication or form) (Include ZIP Code)</i>				<b>FROM:</b> <i>(Activity and location) (Include ZIP Code)</i>			<b>DATE</b>	
<b>PART II- REPAIR PARTS AND SPECIAL TOOL LISTS AND SUPPLY CATALOGS/SUPPLY MANUALS</b>								
PUBLICATION/FORM NUMBER				DATE		TITLE		
PAGE NO.	COLM NO.	LINE NO.	NATIONAL STOCK NUMBER	REFERENCE NO.	FIGURE NO.	ITEM NO.	TOTAL NO. OF MAJOR ITEMS SUPPORTED	RECOMMENDED ACTION
<b>PART III - REMARKS</b> <i>(Any general remarks or recommendations, or suggestions for improvement of publications and blank forms. Additional blank sheets may be used if more space is needed.)</i>								
TYPED NAME, GRADE OR TITLE			TELEPHONE EXCHANGE/AUTOVON, PLUS EXTENSION			SIGNATURE		

By Order of the Secretary of the Army:

GEORGE W. CASEY, JR.  
*General, United States Army*  
*Chief of Staff*

Official:



JOYCE E. MORROW  
*Administrative Assistant to the*  
*Secretary of the Army*  
1009105

By Order of the Secretary of the Air Force:

NORTON A. SCHWARTZ  
*General, USAF*  
*Chief of Staff, USAF*

Official:

DONALD J. HOFFMAN  
*General, USAF*  
*Commander, AFMC*

By Order of the Marine Corps.

M.A. MICUCCI  
*COL, USMC, Product Group Director, PG-15*  
*Ground Transportation Engineer Systems*  
*Marine Corps. System Command*

Army Distribution:

DISTRIBUTION: To be distributed in accordance with the initial distribution number 255269 requirements for TM 9-6115-645-10.

Marine Corps Distribution:

To be distributed in accordance with PCN 184 092441 00.



## THE METRIC SYSTEM AND EQUIVALENTS

### LINEAR MEASURE

1 Centimeter = 10 Millimeter = 0.01 Meters = 0.3937 inches  
 1 Meter = 100 Centimeters = 1000 Millimeters = 39.37 inches  
 1 kilometer = 1000 Meters = 0.621 Miles

### SQUARE MEASURE

1 Sq. Centimeter = 100 Sq. Millimeter = 0.155 Sq. Inches  
 1 Sq. Meter = 10,000 Sq. Centimeters = 10.76 Sq. Inches  
 1 Sq. Kilometer = 1,000,000 Sq. Meters = 0.386 Sq. Miles

### WEIGHTS

1 Gram = 0.001 Kilograms = 1000 Milligrams = 0.035 Ounces  
 1 Kilogram = 100 Grams = 2.2 lb. 1 Cu. Meter = 1,000,000  
 1 Metric Ton = 1000 Kilograms = 1 Megagram = 1.1 Short Tons

### CUBIC MEASURE

1 Cu. Centimeter = 1000 Cu. Millimeters = 0.06 Cu. Inches  
 1 Cu. Centimeters = 35.31 Cu. Feet

### LIQUID MEASURE

1 Millimeter = 0.001 Liters = 0.0338 Fluid Ounces  
 1 Liter = 1000 Millimeters = 32.82 Fluid Ounces

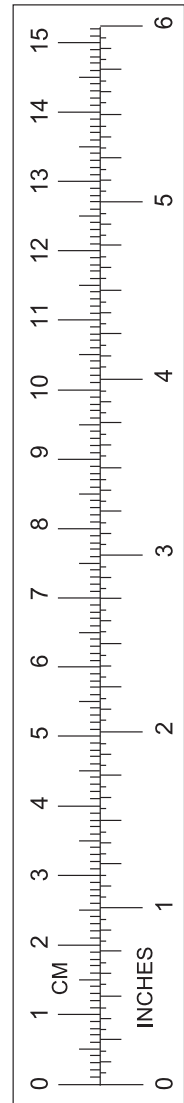
### TEMPERATURE

$5/9 (^{\circ}\text{F} - 32) = ^{\circ}\text{C}$   
 212° Fahrenheit is equivalent to 100° Celsius  
 90° Fahrenheit is equivalent to 32.2° Celsius  
 32° Fahrenheit is equivalent to 0° Celsius  
 $9/5 ^{\circ}\text{C} + 32 = ^{\circ}\text{F}$

### APPROXIMATE CONVERSION FACTORS

TO CHANGE	TO	MULTIPLY BY
Inches.....	Centimeters.....	2.540
Feet.....	Meters.....	0.305
Yards.....	Meters.....	0.914
Miles.....	Kilometers.....	1.609
Square Inches.....	Square Centimeters.....	6.451
Square Feet.....	Square Meters.....	0.093
Square Yards.....	Square Meters.....	0.836
Square Miles.....	Square Kilometers.....	2.590
Acres.....	Square Hectometers.....	0.405
Cubic Feet.....	Cubic Meters.....	0.028
Cubic Yards.....	Cubic Meters.....	0.765
Fluid Ounces.....	Milliliters.....	29.573
Pints.....	Liters.....	0.473
Quarts.....	Liters.....	0.946
Gallons.....	Liters.....	3.785
Ounces.....	Grams.....	28.349
Pounds.....	Kilograms.....	0.454
Short Tons.....	Metric Tons.....	0.907
Pound-Feet.....	Newton-Meters.....	1.356
Pounds per Square Inch.....	Kilo pascals.....	6.895
Miles per Gallon.....	Kilometers per Liter.....	0.425
Miles per Hour.....	Kilometers per Hour.....	1.609

TO CHANGE	TO	DIVIDE BY
Centimeters.....	Inches.....	2.540
Meters.....	Feet.....	0.305
Meters.....	Yards.....	0.914
Kilometers.....	Miles.....	1.609
Square Centimeters.....	Square Inches.....	6.451
Square Meters.....	Square Feet.....	0.093
Square Meters.....	Square Yards.....	0.836
Square Kilometers.....	Square Miles.....	2.590
Square Hectometers.....	Acres.....	0.405
Cubic Meters.....	Cubic Feet.....	0.028
Cubic Meters.....	Cubic Yards.....	0.765
Milliliters.....	Fluid Ounces.....	29.573
Liters.....	Pints.....	0.473
Liters.....	Quarts.....	0.946
Liters-Meters.....	Gallons.....	3.785
Grams.....	Ounces.....	28.349
Kilograms.....	Pounds.....	0.454
Metric Tons.....	Short Tons.....	0.907
Newton-Meters.....	Pound-Feet.....	1.356
Kilo pascals.....	Pounds per Square Inch.....	6.895
Kilometers per Liter.....	Miles per Gallon.....	0.425
Kilometers per Hour.....	Miles per Hour.....	1.609



**PIN: 071030-000**