

**YANMAR
DIESEL
ENGINE**

PARTS CATALOG

Pub. No. 000Y00R3981

**L70AE
L75AE
L90AE
L100AE**

MODEL

**L40AE
L48AE
L60AE**

How to read this Parts Catalog.

1. Parts mentioned in this Parts Catalog may not necessarily be standard equipping parts.
2. Parts change may be made without prior notice.
3. Form of this Parts Catalog.

①		②		③		④		⑤		⑥		⑦		⑧		⑨		⑩		⑪		⑫						⑬		⑭		⑮		⑯			
1A02		11A011		Y00G1020		CYLINDER & BEARING, MAIN		82.02.12		(A)=6PH-HT (B)= (C)=		(D)= (E)= (F)=		REF.		LEV.		PART NO.		DESCRIPTION		QTY (A) (B) (C) (D) (E) (F)						I		P		U		A		R	
17		I		1-1		724611-01560 724611-01561 (A=E000165)		CYLINDER BLOCK ASSY. CYLINDER BLOCK ASSY.		1 1																											
I		2-1		..		X 124610-01000 X 124610-01001 (A=E000165)		BLOCK COMP. BLOCK COMP.		1 1																											
I		3-1		...		X 124610-01010 124610-01011 (A=E000165)		CYLINDER BLOCK CYLINDER BLOCK		1 1																											
		4		...		27241-16000		PLUG 16		1																											
		5		...		27241-40000		PLUG 40		6																											
		6		..		135400-01790		PLUG M10X1.5		2																											
		7		..		23414-10000		GASKET 10		2																											
		8		..		23871-01000		PLUG PT 1/8		8																											
		9		..		23871-02000		PLUG PT 1/4		2																											
		10		..		23871-03000		PLUG PT 3/8		5																											
		11		..		43600-500290		COCK ASSY.		1																											
		12		..		121850-02070		BOLT		12																											
		13		..		121850-02080		BOLT		2																											
		14		..		*REF. 9=3		BEARING, MAIN COMP.		6																											
		15		..		*REF. 14		BEARING, MAIN		6																											
		16		..		X *REF. 4		BEARING, MAIN		6																											
		17		..		121850-02160		BEARING, MAIN COMP.		1																											
		18		..		X 121850-02200		BEARING, MAIN		1																											
		19		..		Y 121850-02210		BEARING, MAIN		1																											
		20		..		121850-02220		CAP, MAIN BEARING		1																											
		21		..		121850-02230		CAP, MAIN BEARING		1																											
		22		..		121850-02240		CAP, MAIN BEARING		5																											
		23		..		121850-02250		PIN		2																											

⑳ REMARKS (ヒキ)

A THE EXPLANATION OF REF. NO. 3-1 124610-01011 IS LOCATED HERE

B THE EXPLANATION OF REF. NO. 17 IS LOCATED HERE

①		②		③		④		⑤		⑥		⑦		⑧		⑨		⑩		⑪		⑫						⑬		⑭		⑮		⑯			
1A02		11A011		Y00J1073		CYLINDER, C.W. DRAIN PIPE		82.10.22		(A)=SC50N (B)=SC60N (C)=SC75N		(D)= (E)= (F)=		REF.		LEV.		PART NO.		DESCRIPTION		QTY (A) (B) (C) (D) (E) (F)						I		P		U		A		R	
22		1A		..		190501-01000		CYLINDER		1																											
		1A-1		..		190501-01000 (A=XXXXXXXXXX)		CYLINDER		1																											
		1A-2		..		190501-01000 (A=XXXXXXXXXX)		CYLINDER		1																											
		1B		..		190600-01000		CYLINDER		1																											
		1B-1		..		190600-01000 (B=XXXXXXXXXX)		CYLINDER		1																											
		1C		..		190750-01000		CYLINDER		1																											
		1C-1		..		190750-01000 (C=XXXXXXXXXX)		CYLINDER		1																											
		2A		..		190501-01000		GASKET, CYL. LOWER		1																											
		2B		..		190600-01000		GASKET, CYL. LOWER		1																											
		3		..		26216-12000		BOLT, COVER M12X95		16		16																									
		3-1		..		190501-01000 (A=XXXXXXXXXX)		BOLT, COVER M12X123		16		16		16																							
		4		..		26216-12000		STUD BOLT M12X30		4		4		4																							
				..		26216-12000		STUD BOLT M12X50		4		4		4																							

No.	Designation	Explanation
①	Location No.	Location No. of a microfiche which contains this list. The parenthesized refers to Location No. of the corresponding section index.
②	Parts Catalog No.	Serial No. of every Parts Catalog.
③	Group No.	Running No. given per group of related parts.
④	Group Name	Designation given per group of related parts.
⑤	Date of Processing	Date on which this list for Parts Catalog is printed out.
⑥		Model name of a product (of which parts are) mentioned in the pertinent Parts Catalog. A parenthesized symbol corresponds to a parenthesized symbol appearing under the "Q'TY" column of Ref. No.12.

82.02.12

(1) シリンダブロック & マインフレーム
CYLINDER & BEARING, MAIN

⑥ (A)=6PH-HT (D)=
(B)= (E)=
(C)= (F)=

REF.	LEV.	PART NO.	DESCRIPTION	QTY	P	U	A	R
			(A)(B)(C)(D)(E)(F)					
1	.	724611-01560	シリンダブロック ASSY.	1				
I	1-1	724611-01561 (A=E000165)	シリンダブロック ASSY.	1				N
2	..	X 124610-01000	ブロック COMP.	1				N
I	2-1	X 124610-01001 (A=E000165)	ブロック COMP.	1				N
3	...	X 124610-01010	シリンダブロック	1				N (A)
I	3-1	124610-01011 (A=E000165)	シリンダブロック	1				N (A)
4	...	27241-160000	PLUG 16	1				
5	...	27241-400000	PLUG 40	6				
6	...	135400-01790	PLUG M10X1.5	2				
7	...	23414-100000	GASKET 10	2				
8	..	23871-010000	PLUG PT1/8	8				
9	...							

⑦	Ref. No.	Number to relate a number appearing in illustration (given opposite to the list) with corresponding Part No.
⑧	Level	Assembly-component relation (level) of an assembly part expressed by a number of dots (.) .
⑨	Order Division	A part of which Part Number is prefixed with alphabet X shall not be sold. In this case, please place your order of this part and its related parts by parental Part Number _____. Complete Part Number or Assy. Part Number.
⑩	Part No.	Part Number specified for every part.
⑪	Part Name	Description of a part, mainly Part Name but may include dimensions.
⑫	Quantity (Q'ty)	Quantity used of parts per Ref. No.


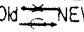

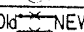

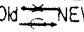

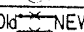

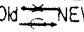

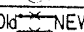
82.02.12

(1) シリンダブロック & マインフレーム
CYLINDER & BEARING, MAIN

⑥ (A)=6PH-HT (D)=
(B)= (E)=
(C)= (F)=

REF.	LEV.	PART NO.	DESCRIPTION	QTY	P	U	A	R
			(A)(B)(C)(D)(E)(F)					
1	.	724611-01560	シリンダブロック ASSY.	1				
I	1-1	724611-01561 (A=E000165)	シリンダブロック ASSY.	1				N
2	..	X 124610-01000	ブロック COMP.	1				N
I	2-1	X 124610-01001 (A=E000165)	ブロック COMP.	1				N
3	...	X 124610-01010	シリンダブロック	1				N (A)
I	3-1	124610-01011 (A=E000165)	シリンダブロック	1				N (A)
4	...	27241-160000	PLUG 16	1				
5	...	27241-400000	PLUG 40	6				
6	...	135400-01790	PLUG M10X1.5	2				
7	...	23414-100000	GASKET 10	2				
8	..	23871-010000	PLUG PT1/8	8				
9	...							

(Example) As for Ref. No. 1-1 724611-01561.
this part is used in the 6PH-HT.
! : Quantity used of parts

No.	Designation	Explanation																											
⑬	Interchangeability Division	In the case where a part change took place, one of the following interchangeability symbols is indicated for that part. <table border="1" style="margin: 10px auto;"> <thead> <tr> <th>Symbol</th> <th>Interchangeability</th> <th>Contents note</th> </tr> </thead> <tbody> <tr> <td>N</td> <td>Old  NEW</td> <td>New Part is interchangeable for Old Part but not interchangeable conversely.</td> </tr> <tr> <td>Q</td> <td>Old  NEW</td> <td>New Part is not interchangeable for Old Part but interchangeable conversely.</td> </tr> <tr> <td>R</td> <td>Old  NEW</td> <td>New Part is interchangeable for Old Part and vice versa.</td> </tr> <tr> <td>S</td> <td>Old  NEW</td> <td>New Part is not interchangeable for Old Part and vice versa.</td> </tr> <tr> <td>W</td> <td></td> <td>Part newly added.</td> </tr> <tr> <td>Z</td> <td></td> <td>Part discontinued.</td> </tr> <tr> <td>F</td> <td></td> <td>Not interchangeable by single part but interchangeable by set of the related parts.</td> </tr> <tr> <td>K</td> <td></td> <td>Changed only in quantity used.</td> </tr> </tbody> </table>	Symbol	Interchangeability	Contents note	N	Old  NEW	New Part is interchangeable for Old Part but not interchangeable conversely.	Q	Old  NEW	New Part is not interchangeable for Old Part but interchangeable conversely.	R	Old  NEW	New Part is interchangeable for Old Part and vice versa.	S	Old  NEW	New Part is not interchangeable for Old Part and vice versa.	W		Part newly added.	Z		Part discontinued.	F		Not interchangeable by single part but interchangeable by set of the related parts.	K		Changed only in quantity used.
Symbol	Interchangeability	Contents note																											
N	Old  NEW	New Part is interchangeable for Old Part but not interchangeable conversely.																											
Q	Old  NEW	New Part is not interchangeable for Old Part but interchangeable conversely.																											
R	Old  NEW	New Part is interchangeable for Old Part and vice versa.																											
S	Old  NEW	New Part is not interchangeable for Old Part and vice versa.																											
W		Part newly added.																											
Z		Part discontinued.																											
F		Not interchangeable by single part but interchangeable by set of the related parts.																											
K		Changed only in quantity used.																											

⑭	Unit Sales Division	Unit Sales Quantity (Sales Lot) of unit sales parts and/or unit sales recommended parts. [Example] Please place your order of such a part for which "10" is given under the column "P/U" by a multiple of Sales Lot being 10 pcs.
---	---------------------	--

⑮	Design Change Division	A symbol is given under the column "A" for such a part for which an extensive design change has been made, and the nature of that design change is explained as identified by the identical symbol given under the heading "REMARKS".
---	------------------------	---

⑯ ⑰	Remarks Division	A Symbol is given under the column "R" (Remarks) for such a part for which a supplementary explanation is needed. And an explanatory sentence headed by the identical symbol is given under the heading "Remrks" (No.⑳).
--------	------------------	---

REF.	LEV.	PART NO.	DESCRIPTION	QTY	P/U	A	R
82.02.12							
Y00G1020			(1) CYLINDER & BEARING, MAIN	(A)=6PH-HT	(D)=		
				(B)=	(E)=		
				(C)=	(F)=		
1	.	724611-01580	ASSY. CYLINDER BLOCK ASSY.	1			
I 1-1	.	724611-01581 (A=E000165)	ASSY. CYLINDER BLOCK ASSY.	1		N	
2	..	X 124610-01000	COMP. BLOCK COMP.	1			
I 2-1	..	X 124610-01001 (A=E000165)	COMP. BLOCK COMP.	1		N	
3	...	X 124610-01010	CYLINDER BLOCK	1			
I 3-1	...	124610-01011 (A=E000165)	CYLINDER BLOCK	1		N	(A)
4	...	27241-160000	PLUG 16	1			
5	...	27241-400000	PLUG 40	6			
6	...	135400-01790	PLUG M10X1.5	2			
7	..	23414-100000	GASKET 10	2			10
8	..	23871-010000	PLUG PT1/8	8			
9	..	23871-020000	PLUG PT1/4	2			
10	..	23871-030000	PLUG PT3/8	5			
11	..	43600-500290	COCK ASSY.	1			
12	..	121850-02070	BOLT	12			
13	..	121850-02080	BOLT	2			
14	..	*REF 9=3	BEARING, MAIN COMP.	6			
15	..	X *REF 14	BEARING, MAIN	6			
16	..	X *REF 14	BEARING, MAIN	6			
17	..	121850	PLUG, MAIN COMP.	1			(B)
18	..			1			
19	..			1			
21							
REMARKS (C) (C)							
A THE EXPLANATION OF REF NO 31 124610-01011 IS LOCATED HERE				A THE EXPLANATION OF REF NO 31 124610-01011 IS LOCATED HERE			
B THE EXPLANATION OF REF NO 17 IS LOCATED HERE				B THE EXPLANATION OF REF NO 17 IS LOCATED HERE			
23 Y000522							

⑰	Change Mark	Change Mark "I" is indicated for such a part in which a design change took place newly at this time as it was not given in the last published Parts Catalog.
---	-------------	--

No.	Designation	Explanation
-----	-------------	-------------

18

Effective Machine No.

When a part is changed, Effective Machine No. of a Model for which the part is applicable is indicated.

REF.	LEV.	PART NO.	DESCRIPTION	QTY	UNIT	REMARKS
1		724611-01560	CYLINDER BLOCK ASSY.	1		
1	1-1	(18) 724611-01561	CYLINDER BLOCK ASSY.	1	N	
2		124610-01000	BLOCK COMP.	1	N	
1	2-1	X 124610-01001	BLOCK COMP.	1	N	(A)
1	3-1	X 124610-01010	CYLINDER BLOCK	1	N	(A)
4		27241-16000	PLUG 16	1		
5		27241-40000	PLUG 40	6		
6		135400-01700	PLUG MIX 1.5	2		10
7		23414-10000	GASKET 10	2		
8		23871-01000	PLUG PT 1/8	8		
9		23871-02000	PLUG PT 1/4	2		
10		23871-03000	PLUG PT 3/8	5		
11		43400-500290	COCK ASSY.	1		
12		121850-02070	BOLT	12		
13		121850-02080	BOLT	2		
14		X REF 9=3	BEARING, MAIN COMP.	6		
15		X REF 14	BEARING, MAIN	6		
16		X REF 14	BEARING, MAIN COMP.	1		(B)
17		121850-02160	BEARING, MAIN	1		
18		X 121850-02200	BEARING, MAIN	1		
			CAP, MAIN BEARING	1		
			CAP, MAIN BEARING	1		
			MAIN BEARING	5		
				2		
				2		

- The parenthesized "A" indicates Model ⑥.
- The new part 724611-01561 is applicable for the engine above Engine No.000165 of 6PH-HT.
- In case of being discontinued, this is indicated for the first Machine No. which was discontinued.
- Date in calendar represents the time when change took place.
- Model and Effective Machine No.

C	Clutch No.
D	Compressor No.
D	Drive No.
E	Engine No.
M	Machine No.
G	Generator No.
W	Welding machine No.
*	Month/Year in Calendar

(Example) ⑥ (A)=6PH-HT (B)=E000158
 (C)=6PH
 (A)=E000165
 6PH-HT Applicable for the engine above Engine No.000165
 6PH-T Applicable for the engine above Engine No.000158

Mark "*" is indicated for the part which was not able to notify a part change and confirm Effective Machine No. The Engine No. of 6PH remains unexplained.

19

Item No.

[Example] Refer to REF. 3 (3 given under the column "REF.") of Group 9.

20

Item No.

[Example] Refer to REF. 14 (14 given under the column "REF.").

21

Remarks

See Ref. No. 16

22

REF.	LEV.	PART NO.	DESCRIPTION	QTY	UNIT	REMARKS
14		190501-01000	CYLINDER	1	S	(A)
14-1		190501-01001	CYLINDER	1	S	(A)
14-2		190501-01002	CYLINDER	1	S	(A)
16		190500-01000	CYLINDER	1	R	(B)
16-1		190500-01001	CYLINDER	1	R	(B)
16		190500-01002	CYLINDER	1	R	(B)
16-1		190500-01001	CYLINDER	1	R	(B)
2A		190501-01000	GASKET, CYLINDER	1		
2B		190500-01000	GASKET, CYLINDER	1		
1		24210-12093E	BOLT, COVER M12X95	16	16	
			BOLT, COVER M12X123	16	16	
			WOOD BOLT	4	4	
				4	4	

Some of the parts number is represented with Illustration No. 1 in the list.

23

Illustration No.

Consecutive No. for illustration control.

CONTENTS

<NOTES>

ABOVE-STATED O, Δ, x, MARK SHOWS APPLICABLE MODELS

O---MEANS COMMON

Δ---MEANS EXCLUSIVE USE FOR DTM/STM

x---MEANS EXCEPT DTM/STM

SECTION 1 (L40AE & L48AE)

GROUP NO.	GROUP NAME	D/DF/DP/DV	DTM	S/SF	STM
1	CYLINDER BLOCK	O	O	O	O
2	CYLINDER HEAD & BONNET	O	O	O	O
3	AIR CLEANER & MUFFLER	O	O	O	O
4	CAM/CRANK/BARANCER SHAFT	O	O	O	O
5	PISTON & ROD	O	O	O	O
6	L. O. DEVICE & GOVERNOR CONTROL	O	O	O	O
7	COOLING & RECOIL STARTER	O	O	O	O
8	FUEL INJECTION PUMP & VALVE	x		x	
9	FUEL INJECTION PUMP & VALVE		Δ		Δ
10	FUEL TANK & FUEL PIPE	x		x	
11	FUEL TANK & FUEL PIPE		Δ		Δ
12	STARTING MOTOR & DYNAMO	x		x	
13	STARTING MOTOR & DYNAMO		Δ		Δ
14	TOOLS/LABELS & GASKET SET	O	O	O	O

SECTION 2 (L60AE & L70AE)

GROUP NO.	GROUP NAME	D/DF/DP/DV	DTM	S/SF	STM
15	CYLINDER BLOCK	O	O	O	O
16	CYLINDER HEAD & BONNET	O	O	O	O
17	AIR CLEANER & MUFFLER	O	O	O	O
18	CAM/CRANK/BARANCER SHAFT	O	O	O	O
19	PISTON & ROD	O	O	O	O
20	L. O. DEVICE & GOVERNOR CONTROL	O	O	O	O
21	COOLING & RECOIL STARTER	O	O	O	O
22	FUEL INJECTION PUMP & VALVE	x		x	

CONTENTS

<NOTES>

ABOVE-STATED O, Δ, x, MARK SHOWS APPLICABLE MODELS

O---MEANS COMMON

Δ---MEANS EXCLUSIVE USE FOR DTM/STM

x---MEANS EXCEPT DTM/STM

SECTION 2 (L60AE & L70AE)

GROUP NO.	GROUP NAME	D/DF/DP/DV	DTM	S/SF	STM
23	FUEL INJECTION PUMP & VALVE		Δ		Δ
24	FUEL TANK & FUEL PIPE	x		x	
25	FUEL TANK & FUEL PIPE		Δ		Δ
26	STARTING MOTOR & DYNAMO	x		x	
27	STARTING MOTOR & DYNAMO		Δ		Δ
28	TOOLS/LABELS & GASKET SET	O	O	O	O

SECTION 3 (L75AE/L90AE/L100AE)

GROUP NO.	GROUP NAME	D/DF/DP/DV	DTM	S/SF	STM
29	CYLINDER BLOCK	O	O	O	O
30	CYLINDER HEAD & BONNET	O	O	O	O
31	AIR CLEANER & MUFFLER	O	O	O	O
32	CAM/CRANK/BARANCER SHAFT & PISTON/ROD	O	O	O	O
33	L. O. DEVICE & GOVERNOR CONTROL	O	O	O	O
34	COOLING & RECOIL STARTER	O	O	O	O
35	FUEL INJECTION PUMP	x		x	
36	FUEL INJECTION PUMP & VALVE		Δ		Δ
37	FUEL TANK & FUEL PIPE	x		x	
38	FUEL TANK & FUEL PIPE		Δ		Δ
39	STARTING MOTOR & DYNAMO	x		x	
40	STARTING MOTOR & DYNAMO		Δ		Δ
41	TOOLS/LABELS & GASKET SET	O	O	O	O

CONTENTS

<NOTES>

ABOVE-STATED O, Δ, x, MARK SHOWS APPLICABLE MODELS

O---MEANS COMMON

Δ---MEANS EXCLUSIVE USE FOR DTM/STM

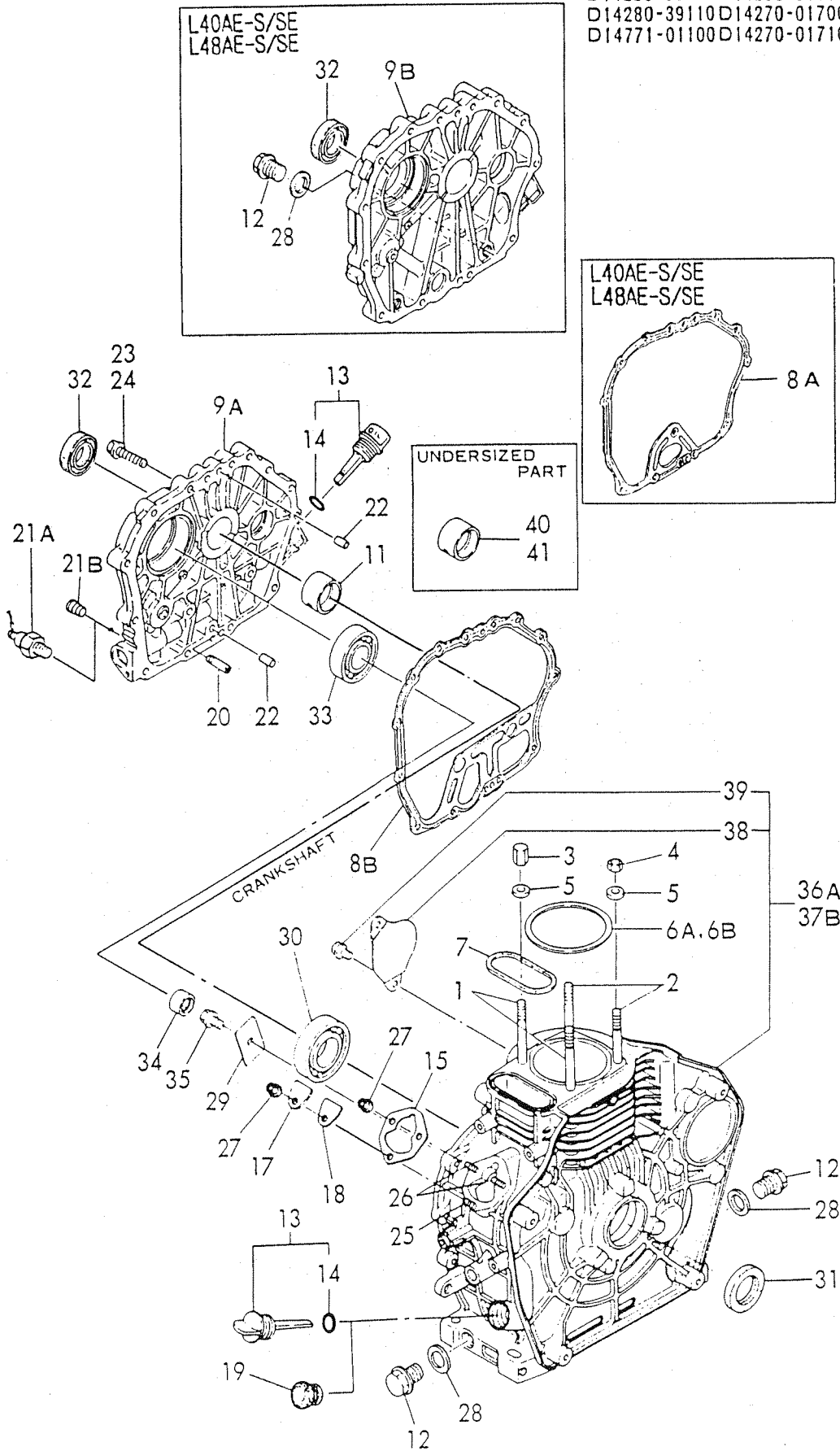
x---MEANS EXCEPT -DTM/-STM

SECTION 1 (L40AE & L48AE)

GROUP NO.	GROUP NAME	D/DF/DP/DV	DTM	S/SF	STM
1	CYLINDER BLOCK	O	O	O	O
2	CYLINDER HEAD & BONNET	OO	OO	OO	OO
3	AIR CLEANER & MUFFLER	OO	OO	OO	OO
4	CAM/CRANK/BARANCER SHAFT	OO	OO	OO	OO
5	PISTON & ROD	O	O	O	O
6	L. O. DEVICE & GOVERNOR CONTROL	O	O	O	O
7	COOLING & RECOIL STARTER	O	O	O	O
8	FUEL INJECTION PUMP & VALVE	x		x	
9	FUEL INJECTION PUMP & VALVE		Δ		Δ
10	FUEL TANK & FUEL PIPE	x		x	
11	FUEL TANK & FUEL PIPE		Δ		Δ
12	STARTING MOTOR & DYNAMO	x		x	
13	STARTING MOTOR & DYNAMO		Δ		Δ
14	TOOLS/LABELS & GASKET SET	O	O	O	O

Fig. 1 CYLINDER BLOCK

SPEC. CODE
 D14278-01700 D14270-01100
 D14278-01710 D14271-01100
 D14250-02100 D14270-01500
 D14280-39100 D14280-01500
 D14280-39110 D14270-01700
 D14771-01100 D14270-01710



+-----+
 I 1803 I
 I (1802) I
 +-----+
 YOOR3981

(1) CYLINDER BLOCK

91.07.02

(A)= (D)=
 (B)=L40AE-D/DE (E)=L40AE-S/SE
 (C)=L48AE-D/DE (F)=L48AE-S/SE

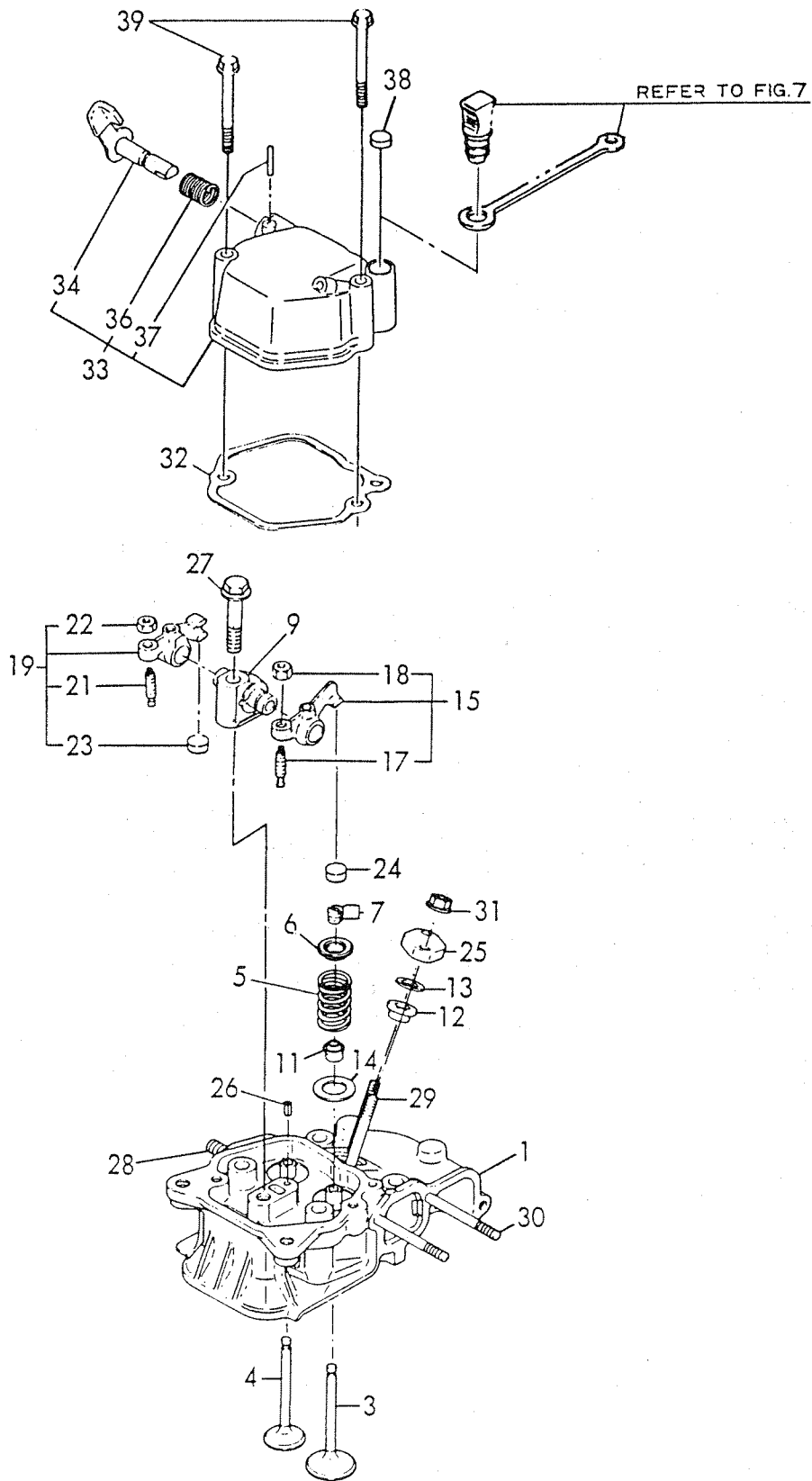
REF. NO.	LEV. 0	PART NO.	DESCRIPTION	-----Q'TY-----						I	P	U	A	R
				(A)	(B)	(C)	(D)	(E)	(F)					
1	.	114253-01200	STUD, CYL. HEAD	2	2		2	2						
2	.	114253-01210	STUD, CYL. HEAD	2	2		2	2						
3	.	114253-01220	NUT 8	2	2		2	2						
4	.	114253-01250	NUT 8	2	2		2	2						
5	.	124953-01250	WASHER	4	4		4	4						
6A	.	114253-01340	GASKET, CYL. HEAD	1				1						
6B	.	114773-01340	GASKET, CYL. HEAD			1					1			
7	.	114253-01380	O-RING	1	1			1			1			
8A	.	114253-01411	GASKET, CRANK CASE					1			1			
8B	.	114253-01412	GASKET, CRANK CASE	1	1									
9A	.	114260-01453	COVER (D), CRANK CASE	1	1									
9B	.	114250-01452	COVER (S), CRANK CASE					1			1			
11	.	114250-02100	BEARING, MAIN	1	1			1			1			
12	.	105425-01690	PLUG M16	2	2			3			3			
13	.	160710-01760	CAP, W/LUB.OIL GAUGE	2	2			2			2			
14	..	24311-000180	O-RING 1A P-18.0	2	2			2			2			
15	.	114250-01800	SHIM SET	1	1			1			1			
17	.	114250-01830	COVER, INSPEC.WINDOW	1	1			1			1			
18	.	114250-01840	GASKET	1	1			1			1			
19	.	160110-01870	PLUG, RUBBER W/SCREW	1	1			1			1			
20	.	114250-35150	PIPE, L.O. INLET	1	1									
21A	.	183250-39450	SWITCH, OIL PRESSURE	1									(Y)	
21B	.	23871-010000	PLUG PT1/8, SCREW	1	1			1			1			
22	.	22312-080120	PARALLEL PIN 8X12	2	2			2			2			
23	.	26106-060252	BOLT M 6X 25 PLATED	14	14			14			14			
24	.	26106-080352	BOLT M 8X 35 PLATED	1	1			1			1			
25	.	26226-060182	STUD M 6X 18 PLATED	1	1			1			1			
26	.	26226-060222	STUD M 6X 22 PLATED	2	2			2			2			
27	.	26366-060002	NUT M 6	3	3			3			3			
28	.	43400-500490	SEAL WASHER 16	4	4			3			3			
29	.	114250-02030	RETAINER, BEARING	1	1			1			1			
30	.	114250-02113	BALL BEARING	1	1			1			1			
31	.	160110-02220	SEAL, OIL	1	1			1			1			
32	.	160210-02220	SEAL, OIL	1	1			1			1			
33	.	24101-062050	BALL BEARING	1	1			1			1			
34	.	24162-152112	NEEDLE BEARING	1	1			1			1			
35	.	26106-080122	BOLT M 8X 12 PLATED	1	1			1			1			
36A	.	714271-01560	BLOCK ASSY, CYLINDER	1				1						
36B	.	714771-01560	BLOCK ASSY, CYLINDER			1					1			
38	..	114350-01700	COVER, STARTER	1	1			1			1			
39	..	26106-100122	BOLT M10X 12 PLATED	2	2			2			2			
40	.	114250-02200	MAIN BEARING US=0.25	1	1			1			1		(H)	
41	.	114250-02210	MAIN BEARING US=0.50	1	1			1			1		(H)	

----- REMARKS -----

(Y) FOR L40AE-DGMO/DEGMO
 (H) UNDER SIZED PARTS

Fig. 2 CYLINDER HEAD & BONNET

SPEC. CODE
D14250-11100
D14250-11200



+-----+
 I 1B04 I
 I (1B02) I
 +-----+
 Y00R3981

(2) CYLINDER HEAD & BONNET

91.07.02

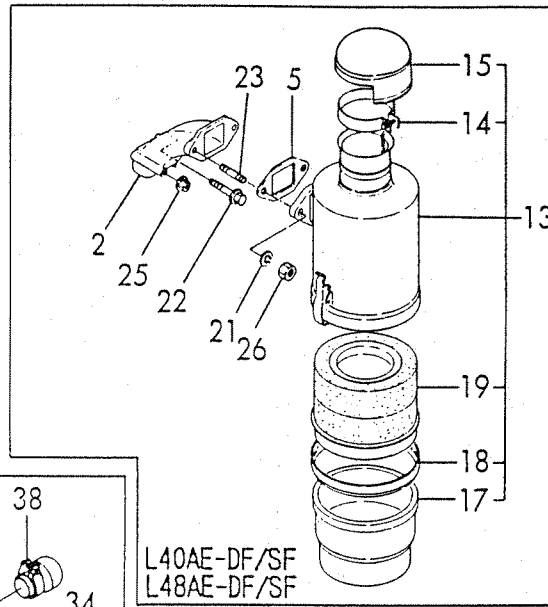
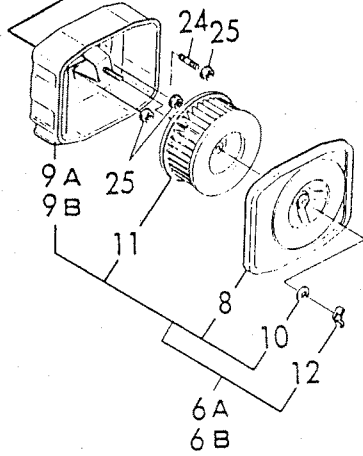
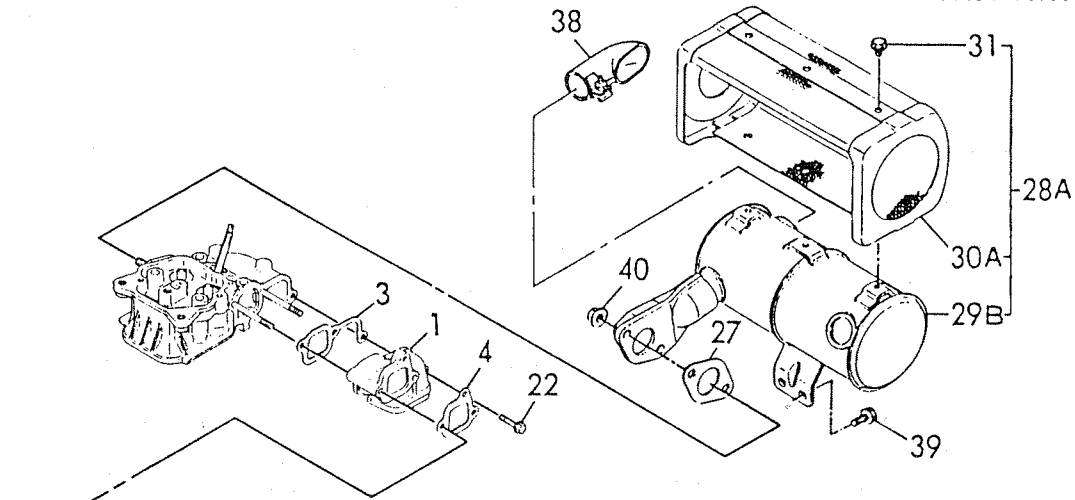
(A)= (D)=
 (B)=L40AE-D/DE (E)=L40AE-S/SE
 (C)=L48AE-D/DE (F)=L48AE-S/SE

REF. NO.	LEV. 0	PART NO.	DESCRIPTION	-----Q'TY----- I P/U A R					
				(A)	(B)	(C)	(D)	(E)	(F)
1	.	114250-11020	HEAD ASSY, CYLINDER	1	1			1	1
3	.	114250-11101	VALVE, SUCTION	1	1			1	1
4	.	114250-11113	VALVE, EXHAUST	1	1			1	1
5	.	114250-11120	SPRING, VALVE	2	2			2	2
6	.	114250-11180	RETAINER, SPRING	2	2			2	2
7	.	714250-11570	COTTER	2	2			2	2
9	.	114250-11290	SUPPORT, ROCKER ARM	1	1			1	1
11	.	114250-11340	SEAL, VALVE STEM	2	2			2	2
12	.	114250-11460	GASKET, NOZZLE	1	1			1	1
13	.	114350-11470	SPACER, NOZZLE	1	1			1	1
14	.	114250-11600	WASHER	2	2			2	2
15	.	114250-11651	ARM ASSY, INTAKE	1	1			1	1
17	..	114250-11240	SCREW, VALVE ADJUST.	1	1			1	1
18	..	26756-060002	LOCK NUT M 6 PLATED	1	1			1	1
19	.	714270-11660	ARM ASSY, EXHAUST	1	1			1	1
21	...	114250-11240	SCREW, VALVE ADJUST.	1	1			1	1
22	...	26756-060002	LOCK NUT M 6 PLATED	1	1			1	1
23	..	119260-11370	CAP, VALVE	1	1			1	1
24	.	119260-11370	CAP, VALVE	1	1			1	1
25	.	114250-11900	RETAINER, NOZZLE	1	1			1	1
26	.	22351-040008	SPRING PIN 4X 8	1	1			1	1
27	.	26106-080452	BOLT M 8X 45 PLATED	1	1			1	1
28	.	26216-080182	STUD M 8X 18 PLATED	2	2			2	2
29	.	26226-060502	STUD M 6X 50	2	2			2	2
30	.	26226-060552	STUD M 6X 55	2	2			2	2
31	.	26366-060002	NUT M 6	2	2			2	2
32	.	114250-11310	GASKET, BONNET	1	1			1	1
33	.	114250-11951	BONNET ASSY, HEAD	1	1			1	1
34	..	114250-03591	SHAFT ASSY, DECOMP.	1	1			1	1
36	..	114250-03640	SPRING	1	1			1	1
37	..	22312-030160	PARALLEL PIN 3X16	1	1			1	1
38	.	129100-61850	PLUG (12)	1	1			1	1
39	.	26106-060552	BOLT M 6X 55 PLATED	2	2			2	2

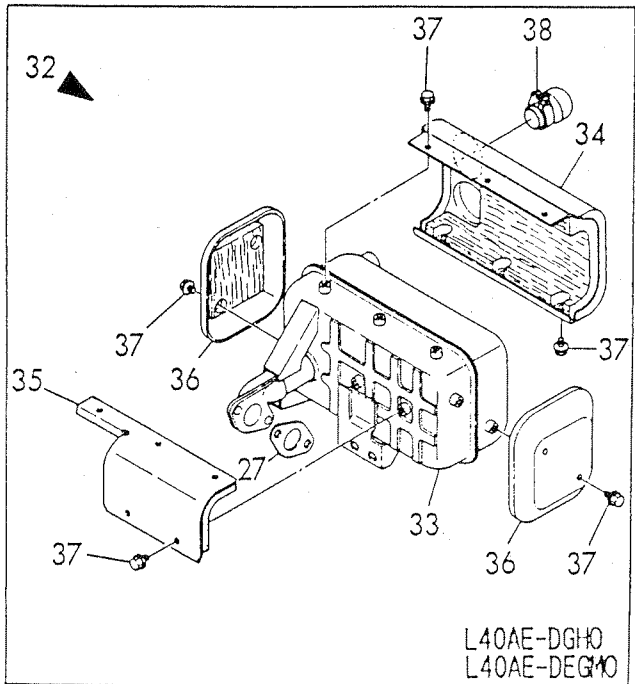
----- REMARKS -----

Fig. 3 AIR CLEANER & MUFFLER

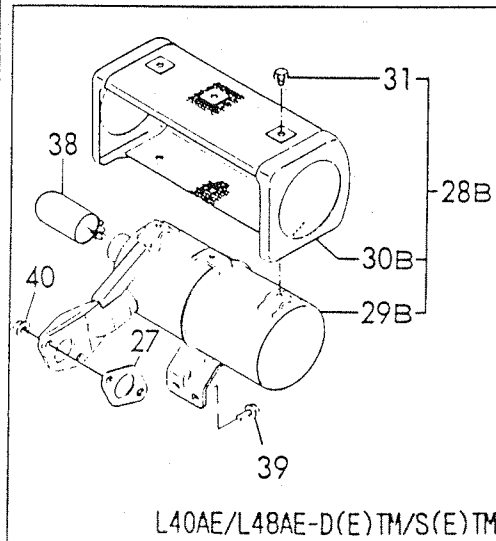
SPEC. CODE
 D14250-13100
 D14272-13150
 D14250-12110
 D14252-12130
 D14254-12130



L40AE-DF/SF
 L48AE-DF/SF



L40AE-DGHO
 L40AE-DEGHO



L40AE/L48AE-D(E)TM/S(E)TM

+-----+
 I 1805 I
 I (1802) I
 +-----+
 YOOR3981

(3) AIR CLEANER & MUFFLER

91.07.02

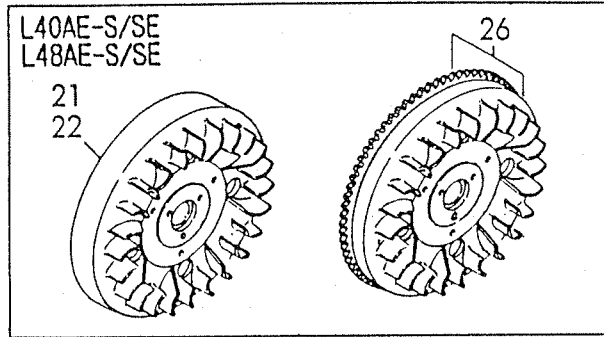
(A)= (D)=
 (B)=L40AE-D/DE (E)=L40AE-S/SE
 (C)=L48AE-D/DE (F)=L48AE-S/SE

REF. NO.	LEV. 0	PART NO.	DESCRIPTION	-----Q'TY-----						I P/U A R
				(A)	(B)	(C)	(D)	(E)	(F)	
1	.	114250-12010	PIPE, AIR INTAKE	1	1		1	1		
2	.	114252-12010	PIPE, AIR INTAKE	1	1		1	1		(#)
3	.	114250-12200	GASKET, AIR INTAKE	1	1		1	1		
4	.	114250-12210	GASKET, AIR CLEANER	1	1		1	1		
5	.	114252-12210	GASKET, AIR CLEANER	1	1		1	1		(#)
6A	.	714250-12560	CLEANER ASSY, AIR	1	1		1	1		
6B	.	714268-12581	CLEANER ASSY, AIR	1	1					(H)
8	...	114250-12520	COVER, AIR CLEANER	1	1		1	1		
9A	...	114250-12530	CASE, AIR CLEANER	1	1		1	1		
9B	...	114250-12980	CASE, AIR CLEANER	1	1					(H)
10	...	114250-12560	WASHER, SEAL	1	1		1	1		
11	...	114250-12580	ELEMENT, WET AIR	1	1		1	1		
12	..	114250-12550	WING NUT M6	1	1		1	1		
13	.	114252-12700	CLEANER ASSY.OILBATH	1	1		1	1		(#)
14	..	160820-12300	BAND	1	1		1	1		(#)
15	..	114252-12660	CAP,AIRCLEANER	1	1		1	1		(#)
17	..	160820-12770	POT, OIL AIR CLEANER	1	1		1	1		
18	..	160820-12780	RING	1	1		1	1		
19	..	114252-12860	ELEMENT, AIR CLEANER	1	1		1	1		(#)
21	.	22217-080000	SPRING WASHER 8	2	2		2	2		
22	.	26106-060252	BOLT M 6X 25 PLATED	1	1		1	1		
23	.	26216-080182	STUD M 8X 18 PLATED	2	2		2	2		
24	.	26226-060142	STUD M 6X 14 PLATED	1	1		1	1		
25	.	26366-060002	NUT M 6	3	3		3	3		
26	.	26716-080002	NUT M 8	2	2		2	2		
27	.	114250-13200	GASKET, MUFFLER	1	1		1	1		
28A	.	114250-13521	MUFFLER W/COVER	1	1		1	1		
28B	.	114268-13500	MUFFLER W/COVER	1	1		1	1		(%)
29A	..	114250-13531	MUFFLER	1	1		1	1		
29B	..	114268-13510	MUFFLER	1	1		1	1		(%)
30A	..	114250-13701	COVER, MUFFLER	1	1		1	1		
30B	..	114268-13700	COVER, MUFFLER	1	1		1	1		(%)
31	..	26106-060082	BOLT M 6X 8 PLATED	6	6		6	6		
32	.	114770-13550	MUFFLER ASSY	1						(T)
33	..	114770-13560	MUFFLER	1						(T)
34	..	114870-13700	COVER(A), MUFFLER	1						(T)
35	..	114870-13710	COVER(B), MUFFLER	1						(T)
36	..	114870-13720	COVER(C), MUFFLER	2						(T)
37	..	26106-060082	BOLT M 6X 8 PLATED	12						(T)
38	.	114268-13800	EXTENSION, EXH.	1	1		1	1		(%)
39	.	26106-060122	BOLT M 6X 12 PLATED	2	2		2	2		
40	.	26366-080002	NUT 8	2	2		2	2		

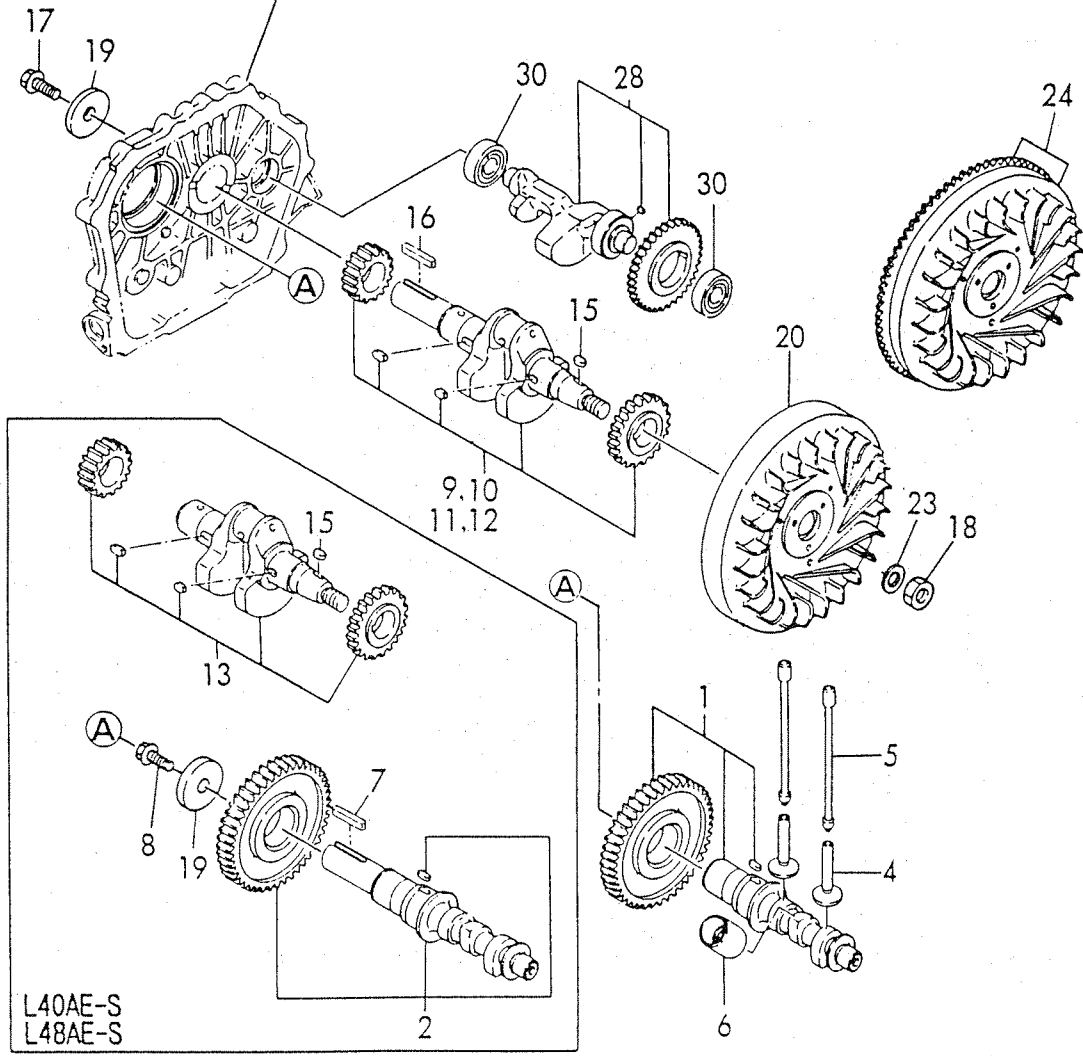
----- REMARKS -----
 I (#) FOR L40AE/48AE-D(E)F/S(E)F
 I (H) FOR L40AE/48AE-D(E)V
 I (T) L40AE-DGMO/DEGMO
 I (%) L40AE/L48AE-D(E)TM/S(E)TM
 I & L40AE-D(E)GMO

Fig. 4 CRANKSHAFT & CAMSHAFT

SPEC. CODE
 D14770-21500 D14773-14100
 D14771-21500 D14780-14100
 D14780-21500 D14288-21100
 D14781-21500 D14288-21110
 D14280-21700 D14288-21120
 D14288-21700 D14770-21100
 D14780-21100

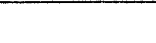

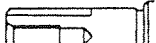



REFER TO FIG. 1



L40AE-S
 L48AE-S

L40AE-D/L48AE-D
 CRANK SHAFT

Ref. No.	MAGNIFIED AXIAL END	SCREW SIZE	KEY SIZE	Ref. No.	MAGNIFIED AXIAL END	SCREW SIZE
9		5/16-24UNF	4.7x30	12		3/4-16UNF
11		M8x1.25	5x30			
				10		5/16-24UNF

+-----+
 I 1B06 I
 I (1B02) I
 +-----+
 Y00R3981

(4) CAM/CRANK/BARANCER SHAFT

91.07.02

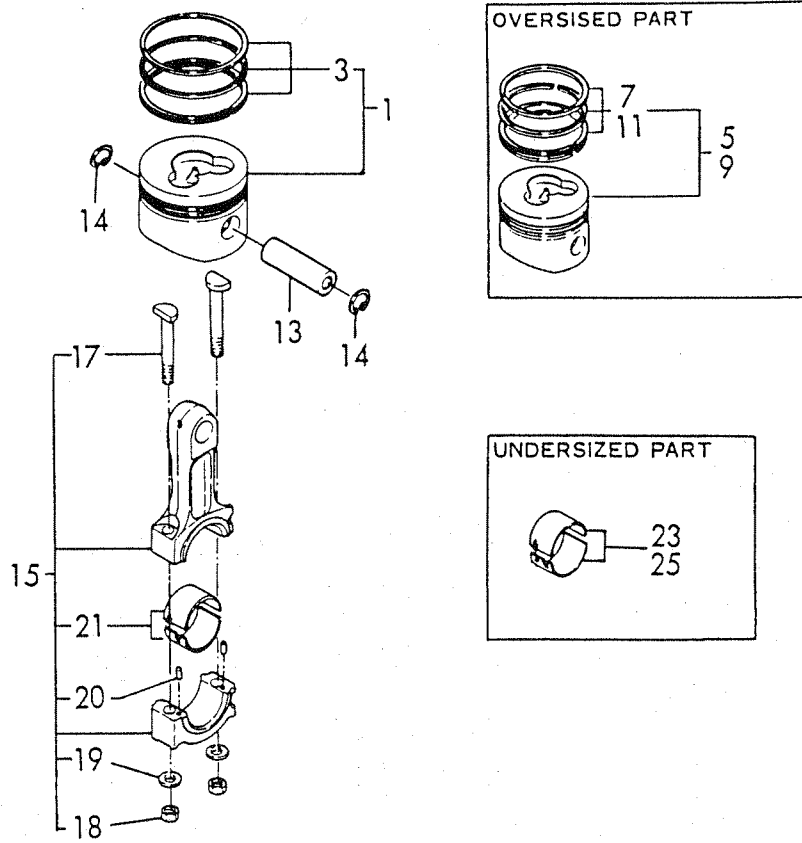
(A)= (D)=
 (B)=L40AE-D/DE (E)=L40AE-S/SE
 (C)=L48AE-D/DE (F)=L48AE-S/SE

REF. NO.	LEV. 0	PART NO.	DESCRIPTION	-----Q'ITY-----						I P/U A R
				(A)	(B)	(C)	(D)	(E)	(F)	
1	.	714780-14580	CAMSHAFT(D) ASSY.		1	1				
2	.	714770-14580	CAMSHAFT(S) ASSY.					1	1	
4	.	114250-14200	TAPPET, SUC./EXH.		2	2		2	2	
5	.	114250-14450	ROD, PUSH		2	2		2	2	
6	.	114250-14260	TAPPET, FUEL		1	1		1	1	
7	.	22512-050300	KEY 5X 30					1	1	
8	.	26106-080202	BOLT M 8X 20 PLATED					1	1	
9	.	714288-21700	CRANKSHAFT ASY (D/DE	1	1					(H)
10	.	714288-21730	CRANKSHAFT ASY (DGMO	1						(T)
11	.	714288-21740	CRANKSHAFT ASY (DV/DF	1	1					(Y)
12	.	714288-21760	CRANKSHAFT ASY (DP)	1	1					(X)
13	.	714278-21710	CRANKSHAFT ASSY(S)					1	1	
15	.	22512-040120	KEY 4X 12		1	1		1	1	
16	.	160642-21150	KEY 4.7X30		1	1				
17	.	160642-21250	BOLT 5/15-24UNF		1	1				
18	.	103854-01221	NUT M16		1	1		1	1	
19	.	160310-14550	WASHER		1	1		1	1	
20	.	114780-21400	FLYWHEEL (D)		1	1				
21	.	114770-21400	FLYWHEEL (S)					1	1	
22	.	114770-21410	FLYWHEEL (SF)					1	1	(#)
23	.	114250-21550	WASHER, FLYWHEEL	1	1			1	1	
24	.	114781-21590	FLYWHEEL (DE) W/GEAR	1	1					
26	.	114771-21590	FLYWHEEL (SE) W/GEAR					1	1	
28	.	714770-28510	SHAFT ASSY, BALANCER	1	1			1	1	
30	.	24101-062024	BALL BEARING		2	2		2	2	

----- REMARKS -----
 I (Y) FOR L40AE/48AE-D(E)F & L40AE/
 I 48AE-D(E)V
 I (T) FOR L40AE-DGMO/DEGMO
 I (#) FOR L40AE/48AE-SF/SEF
 I (H) FOR L40AE/48AE-D/DE & L40AE/48AE-
 I D(E)TM/S(E)TM
 I (X) FOR L40AE/48AE-D(E)P

SPEC. CODE
D14270-22100
D14280-22100
D14250-23100

Fig. 5 PISTON & CONNECTING ROD



+-----+
 I 1807 I
 I(1802)I
 +-----+
 Y00R3981

(5) PISTON & ROD

91.07.02

(A)= (D)=
 (B)=L40AE-D/DE (E)=L40AE-S/SE
 (C)=L48AE-D/DE (F)=L48AE-S/SE

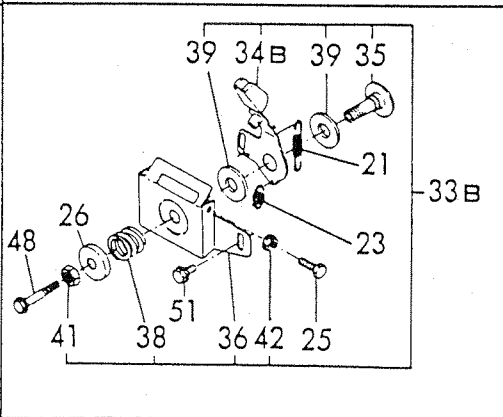
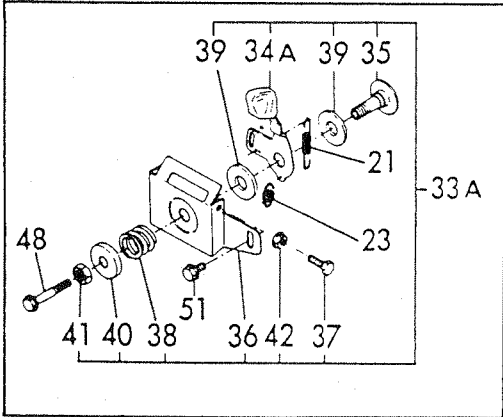
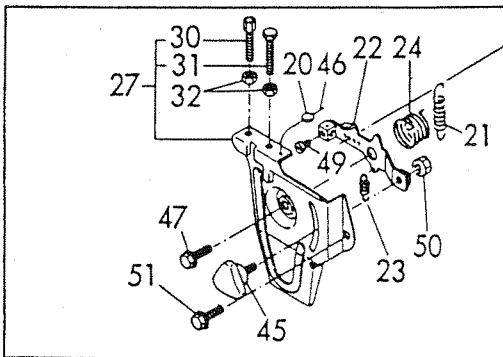
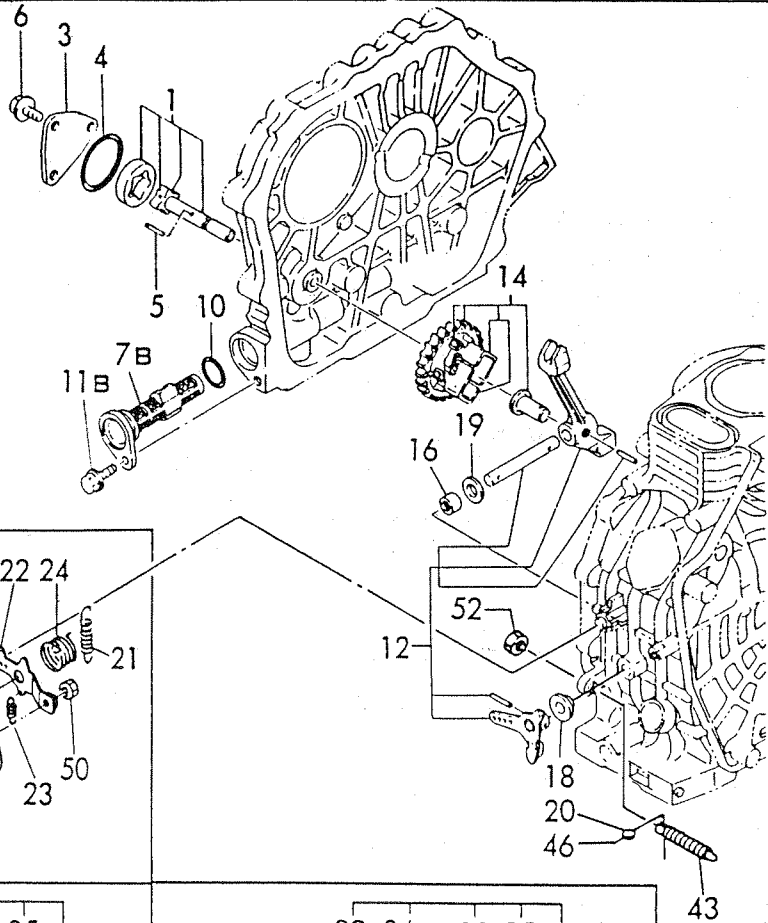
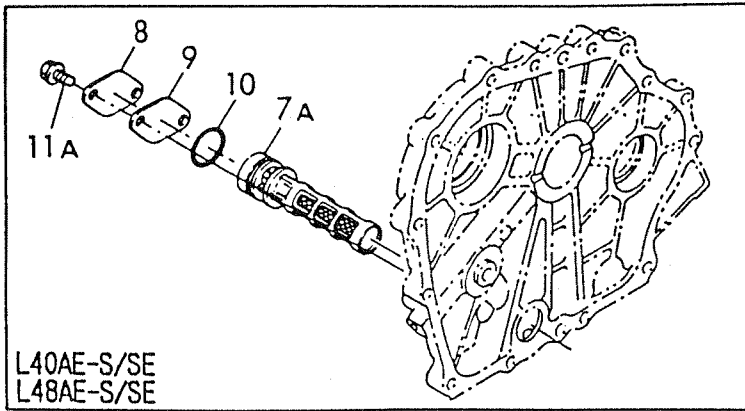
REF. NO.	LEV. 0	PART NO.	DESCRIPTION	-----Q'TY-----						I	P/U	A	R
				(A)	(B)	(C)	(D)	(E)	(F)				
1A	.	714280-22720	PISTON W/RINGS		1								
1B	.	714780-22720	PISTON W/RINGS				1						
1C	.	714270-22720	PISTON W/RINGS						1				
1D	.	714770-22720	PISTON W/RINGS								1		
3A	..	714250-22502	RING SET, PISTON		1				1				
3B	..	714770-22500	RING SET, PISTON			1					1		
5A	.	714280-22620	PISTON W/RING OS=.25		1								(H)
5B	.	714780-22620	PISTON W/RINGS(OS.25			1							(H)
5C	.	714270-22620	PISTON W/RING(OS0.25						1				(H)
5D	.	714770-22620	PISTON W/RING(OS=.25								1		(H)
7A	..	714250-22542	RING SET O.S=0.25		1				1				(H)
7B	..	714770-22540	RING SET O.S=0.25			1					1		(H)
9A	.	714280-22580	PISTON W/RING OS=0.5		1								(H)
9B	.	714780-22580	PISTON W/RINGS(OS.5			1							(H)
9C	.	714270-22580	PISTON W/RING(OS0.50						1				(H)
9D	.	714770-22580	PISTON W/RING(OS=0.5								1		(H)
11A	..	714250-22550	RING SET O.S=0.50		1				1				(H)
11B	..	714770-22550	RING SET O.S=0.50			1					1		(H)
13	.	114250-22302	PIN, PISTON D=19		1	1			1	1			
14	.	22252-000190	CIRCLIP 19		2	2			2	2			
15	...	714250-23703	ROD ASSY, CONNECTING		1	1			1	1			
17	...	114250-23200	BOLT, ROD		2	2			2	2			
18	...	114250-23220	NUT, ROD BOLT		2	2			2	2			
19	...	114250-23250	WASHER		2	2			2	2			
20	...	22312-030080	PARALLEL PIN 3X 8		2	2			2	2			
21	..	714250-23600	BEARING, CRANKPIN		1	1			1	1			
23	.	714250-23610	BEARING,PIN(U.S=0.25		1	1			1	1			(H)
25	.	714250-23620	BEARING,PIN(U.S=0.50		1	1			1	1			(H)

----- REMARKS -----

I(H) OVERSIZED & UNDERSIZED PARTS

Fig. 6 LUB. OIL PUMP & GOVERNOR

SPEC. CODE
 D14770-32100
 D14250-35100
 D14250-35110
 D14770-61100
 D14770-66110
 D14770-66120
 D14770-66130
 D14270-66500
 D14270-66800



+-----+
 I 1B08 I
 I (1B02) I
 +-----+
 YOOR3981

(6) L.O. DEVICE & GOVERNOR CONTROL

91.07.02

(A)= (D)=
 (B)=L40AE-D/DE (E)=L40AE-S/SE
 (C)=L48AE-D/DE (F)=L48AE-S/SE

REF. NO.	LEV. 0	PART NO.	DESCRIPTION	-----Q'TY-----						I P/U A R
				(A)	(B)	(C)	(D)	(E)	(F)	
1	.	114250-32010	PUMP ASSY, LUB.OIL	1	1			1	1	
3	.	114250-32070	COVER, LUB. OIL PUMP	1	1			1	1	
4	.	103338-32570	O-RING	1	1			1	1	
5	.	22312-030160	PARALLEL PIN 3X16	1	1			1	1	
6	.	26476-060142	BOLT M 6X 14,TAPPING	3	3			3	3	
7A	.	114250-35060	STRAINER, LUB. OIL					1	1	
7B	.	114250-35070	STRAINER, LUB. OIL	1	1					
8	.	114250-35250	COVER					1	1	
9	.	114250-35270	GASKET, L.O.STRAINER					1	1	
10	.	24341-000224	O-RING 1A S-22.4	1	1			1	1	
11A	.	26106-060122	BOLT M 6X 12 PLATED					2	2	
11B	.	26106-060162	BOLT M 6X 16 PLATED	1	1					
12	.	714250-61500	LEVER ASSY, GOVERNOR	1	1			1	1	
14	.	714770-61700	GOVERNOR ASSY	1	1			1	1	
16	.	121450-61520	NEEDLE BEARING FJ810	2	2			2	2	
18	.	114250-61900	BUSH, THRUST	1	1			1	1	
18-1A	.	114770-61600	SEAL, OIL	1	1			1	1	F
		(B=X)								
18-1B	.	114770-61610	WASHER	1	1			1	1	F
		(B=X)								
19	.	22137-080000	WASHER 8, POLISHED	1	1			1	1	
20	.	135210-61090	LEAD	2	2			2	2	
21	.	114770-66010	SPRING, REGULATOR	1	1			1	1	
22	.	114250-66050	HANDLE, REGULATOR	1	1			1	1	
23	.	114250-66200	SPRING, RETURN	1	1			1	1	
24	.	114252-66252	SPRING, RETURN	1	1			1	1	
25	.	114250-66440	BOLT, ADJUSTING	1	1					(Y)
26	.	114254-66220	SUPPORT	1	1					(Y)
27	.	714268-66500	BRACKET ASSY,REGULAT	1	1			1	1	
30	...	102100-67080	BOLT, ADJUSTING	1	1			1	1	
31	...	114250-66440	BOLT, ADJUSTING	1	1			1	1	
32	..	26756-060002	LOCK NUT M 6 PLATED	2	2			2	2	
33A	..	183250-66500	BRACKET ASSY,REGULAT	1	1					(H)
33B	.	114254-66200	BRACKET ASSY,REGULAT	1	1					(Y)
34A	..	183250-66050	HANDLE, REGULATOR	1	1					(H)
34B	..	114254-66210	HANDLE, REGULATOR	1	1					(Y)
35	..	183250-66070	SHAFT, HANDLE	1	1					(H)
36	..	183250-66100	BRACKET, REGULATOR	1	1					(H)
37	..	114250-66440	BOLT, ADJUSTING	1	1					(H)
38	..	104200-66820	SPRING	1	1					(H)
39	..	104200-66830	PLATE, FRICTION	2	2					(H)
40	..	104200-66850	WASHER (B)	1	1					(H)
41	..	26696-100002	NUT M10	1	1					(H)
42	..	26756-060002	LOCK NUT M 6 PLATED	1	1					(H)
43	.	114250-66550	TORQUE SPRING ASSY	1	1			1	1	
45	.	160725-78350	KNOB (W/M6X15)	1	1			1	1	
46	.	22451-060000	WIRE 0.6	2	2			2	2	
47	.	26106-060202	BOLT M 6X 20 PLATED	1	1			1	1	
48	.	26106-060452	BOLT M 6X 45 PLATED	1						(#)
49	.	26116-040088	BOLT M 4X 8 PLATED	1	1			1	1	
50	.	26346-060002	U-NUT M 6 PLATED	1	1			1	1	
51	.	26476-060142	BOLT M 6X 14,TAPPING	1	1			1	1	
52	.	26696-000002	NUT M10	1	1			1	1	

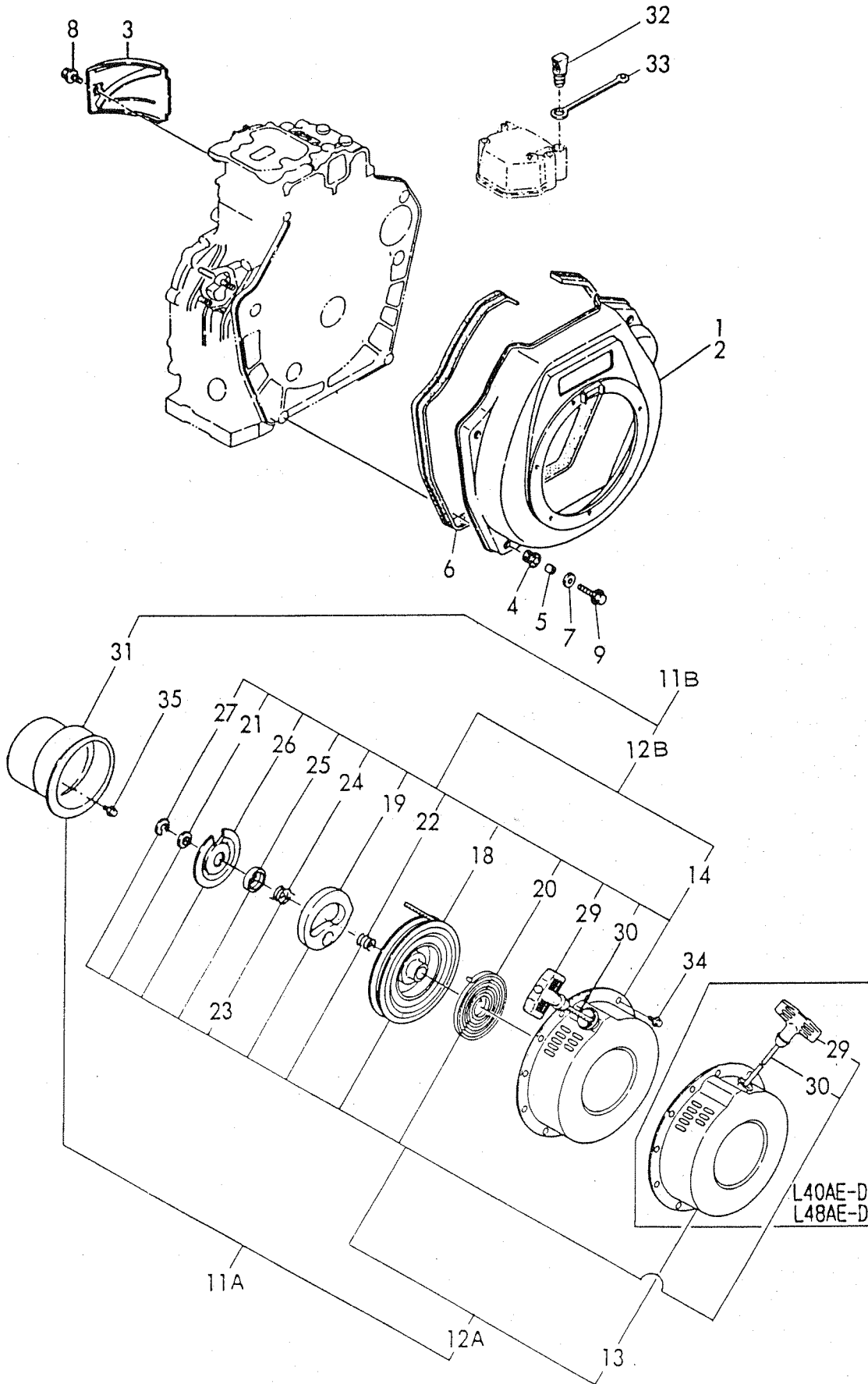
REMARKS

(H) FOR L40AE-DGMO/DEGMO L40AE/48AE-D(E)TM/S(E)TM
 (#) FOR L40AE-DGMO/DEGMO (Y) FOR L40AE/48AE-D(E)V

Y051636

Fig. 7 COOLING & STARTING DEVICE

SPEC. CODE
D14770-45100
D14780-45100
D14250-76100
D14260-76100



+-----+
 I 1B10 I
 I (1B02) I
 +-----+
 YOOR3981

(7) COOLING & RECOIL STARTER

91.07.02

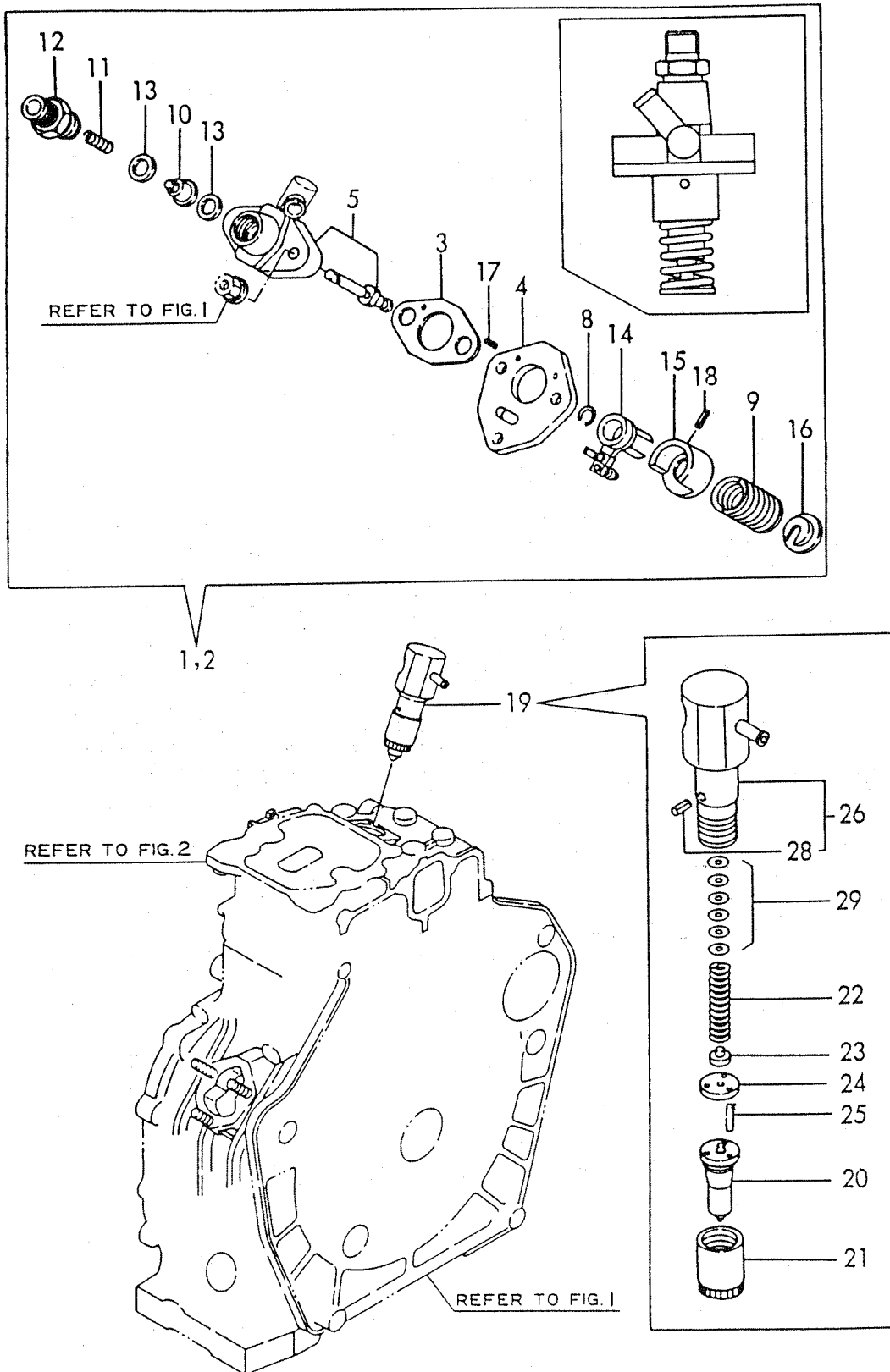
(A)= (D)=
 (B)=L40AE-D/DE (E)=L40AE-S/SE
 (C)=L48AE-D/DE (F)=L48AE-S/SE

REF. NO.	LEV. 0	PART NO.	DESCRIPTION	-----Q'TY-----						I	P	U	A	R
				(A)	(B)	(C)	(D)	(E)	(F)					
1	.	114780-45100	CASE(D), COOLING FAN	1	1									
2	.	114770-45100	CASE(S), COOLING FAN					1	1					
3	.	114250-45211	COVER, CYLINDER	1	1			1	1					
4	.	114250-45300	RUBBER, CUSHION	4	4			4	4					
5	.	114250-45310	COLLAR	4	4			4	4					
6	.	114250-45330	SEAL, FAN CASE	1	1			1	1					
7	.	160120-76940	WASHER	4	4			4	4					
8	.	26476-060142	BOLT M 6X 14,TAPPING	1	1			1	1					
9	.	26476-060252	BOLT M 6X 25,TAPPING	4	4			4	4					
11A	.	714260-76810	RECOIL STARTER(D)ASY	1	1									
11B	.	714250-76810	RECOIL STARTER(S)ASY					1	1					
12A	..	714260-76820	RECOIL STARTER(D)ASY	1										
12A-1	..	714260-76821 (B=X)	RECOIL STARTER(D)ASY	1	1							N		
12B	..	714250-76820	RECOIL STARTER(S)ASY					1						
12B-1	..	714250-76821	RECOIL STARTER(S)ASY					1	1			N		
13	...	714260-76830	CASE (D) W/LABEL	1										
13-1	...	714260-76831 (B=X)	CASE (D) W/LABEL	1	1							N		
14	...	714250-76830	CASE (S) W/LABEL					1						
14-1	...	714250-76831	CASE (S) W/LABEL					1	1			N		
17	114250-07350	LABEL, DIESEL	1	1			1	1					
18	...	160260-76520	REEL, RECOIL	1	1			1	1					
19	...	160260-76530	RATCHET	1	1			1	1					
20	...	160260-76540	SPRING, SPIRAL	1	1			1	1					
21	...	160260-76550	WASHER, THRUST	1	1			1	1					
22	...	160260-76560	SPRING, FRICTION	1	1			1	1					
23	...	160290-76570	SPRING, RETURN	1	1									
24	...	160260-76570	SPRING, RETURN					1	1					
25	...	160260-76580	COVER, SPRING	1	1			1	1					
26	...	160260-76590	PLATE, FRICTION	1	1			1	1					
27	...	160260-76600	CIRCLIP(E)	1	1			1	1					
29	...	160260-76620	KNOB, STARTER	1	1			1	1					
30	...	160260-76630	ROPE, STARTER	1	1			1	1					
31	..	114250-76590	PULLEY, STARTER	1	1			1	1					
32	.	114250-76600	PLUNGER	1	1			1	1					
33	.	114250-76610	HOLDER, PLUNGER	1	1			1	1					
34	.	26106-060082	BOLT M 6X 8 PLATED	4	4			4	4					
35	.	26106-060122	BOLT M 6X 12 PLATED	3	3			3	3					

----- REMARKS -----

Fig. 8 FUEL INJECTION PUMP & VALVE

SPEC. CODE
 D14250-51200
 D14250-53101
 D14260-51100



+-----+
 I 1B11 I
 I(1802)I
 +-----+
 Y00R3981

(8) FUEL INJECTION PUMP & VALVE

91.07.02

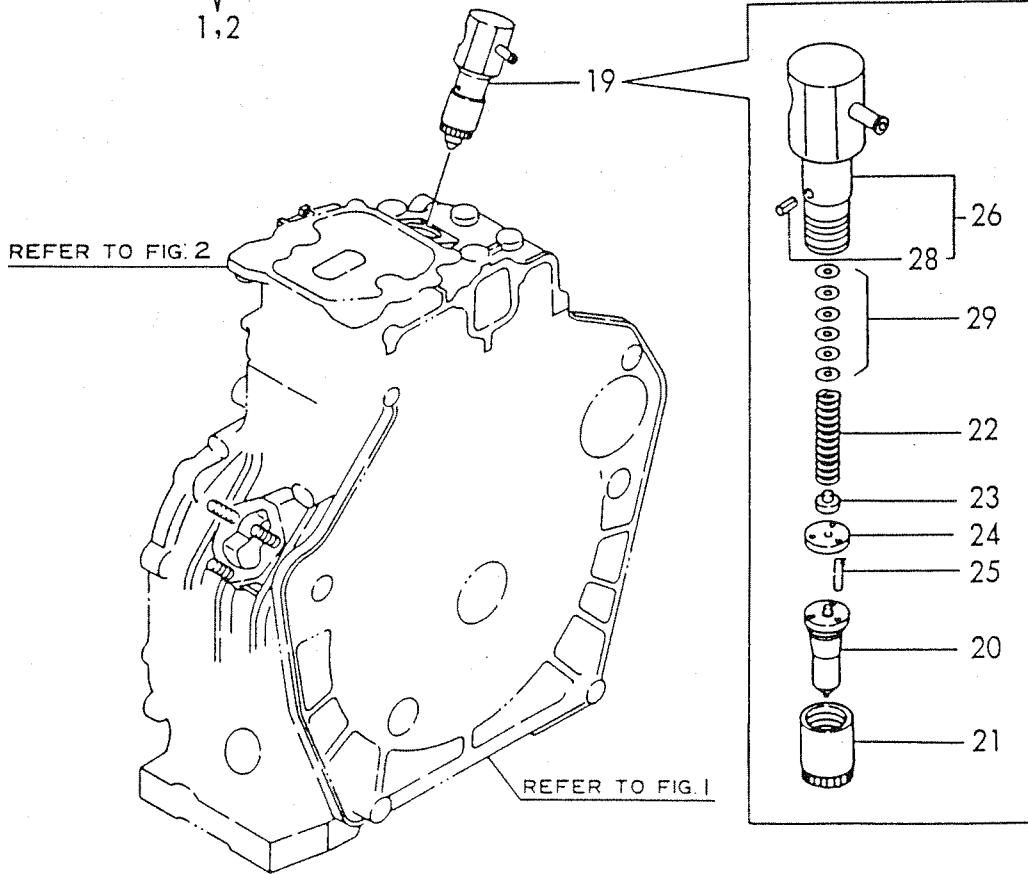
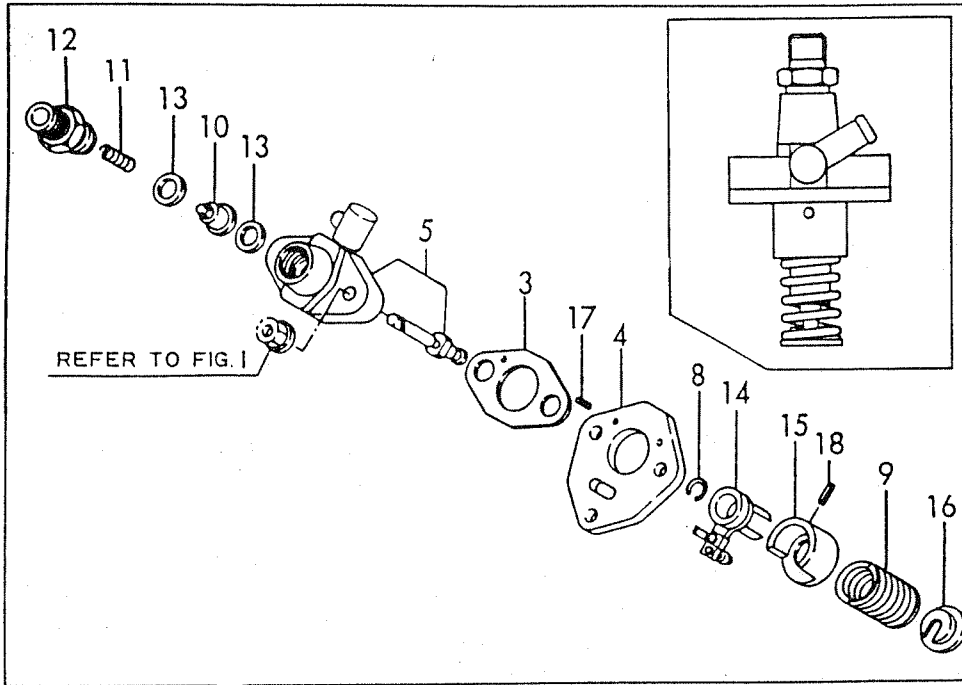
(A)= (D)=
 (B)=L40AE-D/DE (E)=L40AE-S/SE
 (C)=L48AE-D/DE (F)=L48AE-S/SE

REF. NO.	LEV. 0	PART NO.	DESCRIPTION	-----Q'TY-----						I	P	U	A	R
				(A)	(B)	(C)	(D)	(E)	(F)					
1	.	714250-51710	PUMP ASSY, F.INJECT.	1				1						
2	.	714770-51700	PUMP ASSY. F.INJECT.			1							1	
3	..	105546-51020	GASKET	1	1			1	1					
4	..	114250-51080	PLATE	1	1			1	1					
5	..	114250-51200	BODY, F.I. PUMP	1	1			1	1					
8	..	114250-51150	SNAP RING	1	1			1	1					
9	..	114250-51160	SPRING	1	1			1	1					
10	..	114250-51300	VALVE ASSY, DELIVERY	1	1			1	1					
11	..	105546-51330	SPRING, DELIV. VALVE	1	1			1	1					
12	..	114250-51340	HOLDER, F.I.P.DELIVE	1	1			1	1					
13	..	124550-51350	GASKET, DELIVERY	2	2			2	2					
14	..	114250-51600	LEVER ASSY, CONTROL	1	1			1	1					
15	..	114250-51640	SEAT (A), SPRING	1	1			1	1					
16	..	114250-51650	SEAT (B), SPRING	1	1			1	1					
17	..	22351-020006	SPRING PIN 2X 6	2	2			2	2					
18	..	22351-030008	SPRING PIN 3X 8	1	1			1	1					
19	.	714250-53101	VALVE ASSY, F.INJECT	1	1			1	1					
20	..	114250-53001	NOZZLE ASSY, F.INJECT	1	1			1	1					
21	..	114250-53080	NUT, NOZZLE CASE	1	1			1	1					
22	..	114250-53120	SPRING, NOZZLE	1	1			1	1					
23	..	114250-53130	SEAT, NOZZLE SPRING	1	1			1	1					
24	..	114250-53140	PLATE, STOP	1	1			1	1					
25	..	114250-53210	PIN	2	2			2	2					
26	..	114250-53300	HOLDER ASSY, NOZZLE	1	1			1	1					
28	...	114250-53331	PIN, SPRING	1	1			1	1					
29	..	114250-53400	SHIM PACK	1	1			1	1					

----- REMARKS -----

SPEC. CODE
D83250-51400
D83350-51400
D14250-53101
D14350-53100

Fig. 9 FUEL INJECTION PUMP & VALVE



+-----+
 I 1B12 I
 I(1B02)I
 +-----+
 YOOR3981

(9) FUEL INJECTION PUMP & VALVE

(A)= (D)=
 (B)=L40AE-D(E)TM(E)=L40AE-S(E)TM
 (C)=L48AE-D(E)TM(F)=L48AE-S(E)TM

REF. NO.	LEV. 0	PART NO.	DESCRIPTION	-----Q'TY-----						I P/U A R
				(A)	(B)	(C)	(D)	(E)	(F)	
1	.	783250-51740	PUMP ASSY. F.INJECT.	1				1		
2	.	714770-51740	PUMP ASSY. F.INJECT.			1			1	
3	..	105546-51020	GASKET	1	1			1	1	
4	..	114250-51080	PLATE	1	1			1	1	
5	..	183250-51400	BODY, F. I. PUMP	1	1			1	1	
8	..	114250-51150	SNAP RING	1	1			1	1	
9	..	114250-51160	SPRING	1	1			1	1	
10	..	114250-51300	VALVE ASSY, DELIVERY	1	1			1	1	
11	..	105546-51330	SPRING, DELIV. VALVE	1	1			1	1	
12	..	114250-51340	HOLDER, F.I.P.DELIVE	1	1			1	1	
13	..	124550-51350	GASKET, DELIVERY	2	2			2	2	
14	..	114250-51600	LEVER ASSY, CONTROL	1	1			1	1	
15	..	114250-51640	SEAT (A), SPRING	1	1			1	1	
16	..	114250-51650	SEAT (B), SPRING	1	1			1	1	
17	..	22351-020006	SPRING PIN 2X 6	2	2			2	2	
18	..	22351-030008	SPRING PIN 3X 8	1	1			1	1	
19	.	714250-53101	VALVE ASSY, F.INJECT	1	1			1	1	
20	..	114250-53001	NOZZLE ASSY,F.INJECT	1	1			1	1	
21	..	114250-53080	NUT, NOZZLE CASE	1	1			1	1	
22	..	114250-53120	SPRING, NOZZLE	1	1			1	1	
23	..	114250-53130	SEAT, NOZZLE SPRING	1	1			1	1	
24	..	114250-53140	PLATE, STOP	1	1			1	1	
25	..	114250-53210	PIN	2	2			2	2	
26	..	114250-53300	HOLDER ASSY, NOZZLE	1	1			1	1	
28	...	114250-53331	PIN, SPRING	1	1			1	1	
29	..	114250-53400	SHIM PACK	1	1			1	1	

----- REMARKS -----+-----

+-----+
 | 1B13 |
 | (1B02) |
 +-----+
 Y00R3981

(10) FUEL TANK & FUEL PIPE

(A)= (D)=
 (B)=L40AE-D/DE (E)=L40AE-S/SE
 (C)=L48AE-D/DE (F)=L48AE-S/SE

REF. NO.	LEV. 0	PART NO.	DESCRIPTION	-----Q'ITY-----						I P/U A R
				(A)	(B)	(C)	(D)	(E)	(F)	
1A	.	714250-55711	TANK ASSY.FUEL(D/S	1	1			1	1	
1B	.	714268-55721	TANK ASSY.FUEL(DGMO	1						(#)
1C	.	714268-55751	TANK ASSY, FUEL(DV)	1	1					(Y)
1D	.	714258-55701	TANK ASSY.FUEL(DF/SF	1	1			1	1	(T)
3	..	114250-55041	CAP, TANK	1	1			1	1	
4	...	114250-55050	GASCET, TANK CAP	1	1			1	1	
5	...	114250-55060	SEAL	1	1			1	1	
7	..	114250-55100	FILTER, FUEL	1	1			1	1	
8	..	114250-55150	PIPE, GAUGE	1	1			1	1	
9	..	124722-59050	CLAMP 9	2	2			2	2	
10	..	23414-120000	GASKET 12, ROUND	1	1			1	1	
11	..	23887-120002	PLUG 12,HEX.	1	1			1	1	
12	..	114250-55201	DAMPER, FUEL TANK	4	4			4	4	
13	.	114250-55120	FILTER, FUEL OIL	1	1			1	1	
14	.	114250-55130	GASKET	1	1			1	1	
15	.	114250-55211	STAY (A)	1	1			1	1	
16	.	114250-55231	STAY (B)	1	1			1	1	
17	.	114250-55300	COCK ASSY, FUEL	1	1			1	1	
18	.	24341-000150	O-RING 1A S-15.0	1	1			1	1	
19	.	114252-55800	NUT	1	1			1	1	
20	.	114650-55810	BOLT, LIFTING	1	1			1	1	
21	.	22117-060000	WASHER 6	1	1			1	1	
22	.	22117-080000	WASHER 8	1	1			1	1	
23	.	26106-080452	BOLT M 8X 45 PLATED	1	1			1	1	
24	.	26366-060002	NUT M 6	1	1			1	1	
25	.	26476-060142	BOLT M 6X 14,TAPPING	2	2			2	2	
26	.	106990-44660	BAND, HOSE	2	2			2	2	
27	.	124722-59050	CLAMP 9	2	2			2	2	
28	.	114250-59050	PIPE, FUEL OIL	1	1			1	1	
29	.	114250-59060	PIPE, FUEL RETURN	1	1			1	1	
30	.	114250-59800	PIPE, FUEL INJECTION	1	1			1	1	

----- REMARKS -----
 I(Y) FOR L40AE/48AE-D(E)V
 I(#) FOR L40AE-DGMO/DEGMO
 I(T) FOR L40AE/48AE-D(E)F/S(E)F

+-----+
 I 1B14 I
 I(1B02)I
 +-----+
 YOOR3981

(11) FUEL TANK & FUEL PIPE

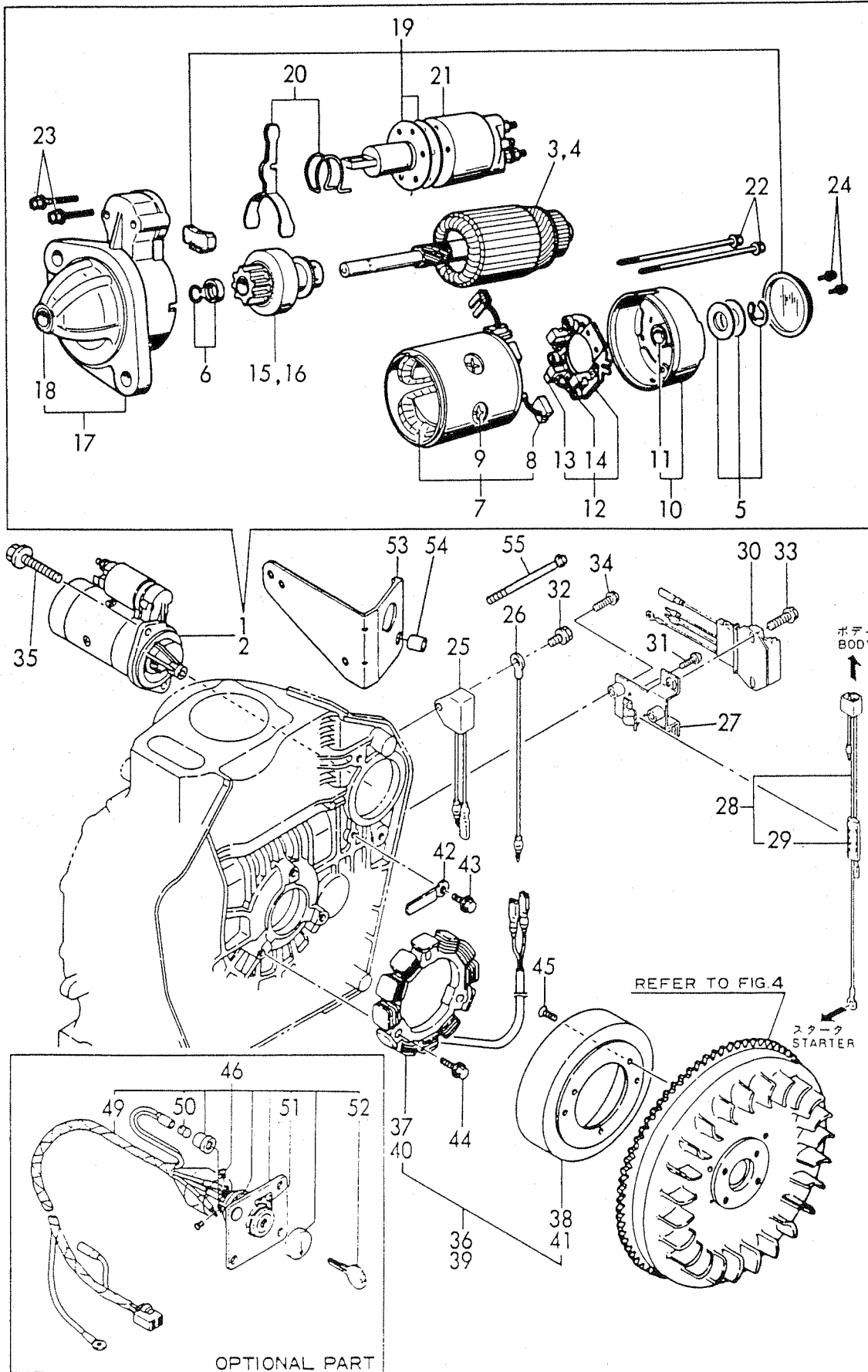
91.07.02

(A)= (D)=
 (B)=L40AE-D(E)TM(E)=L40AE-S(E)TM
 (C)=L48AE-D(E)TM(F)=L48AE-S(E)TM

REF. NO.	LEV. 0	PART NO.	DESCRIPTION	-----Q'TY----- I P/U A R					
				(A)	(B)	(C)	(D)	(E)	(F)
1	.	714268-55701	TANK ASSY.(DTM/STM)	1	1			1	1
3	..	114250-55041	CAP, TANK	1	1			1	1
4	...	114250-55050	GASCET, TANK CAP	1	1			1	1
5	...	114250-55060	SEAL	1	1			1	1
7	..	114250-55100	FILTER, FUEL	1	1			1	1
8	..	114250-55150	PIPE, GAUGE	1	1			1	1
9	..	124722-59050	CLAMP 9	2	2			2	2
10	..	23414-120000	GASKET 12, ROUND	1	1			1	1
11	..	23887-120002	PLUG 12,HEX.	1	1			1	1
12	..	114250-55201	DAMPER, FUEL TANK	4	4			4	4
13	.	114250-55120	FILTER, FUEL OIL	1	1			1	1
14	.	114250-55130	GASKET	1	1			1	1
15	.	114250-55211	STAY (A)	1	1			1	1
16	.	114250-55231	STAY (B)	1	1			1	1
17	.	114250-55300	COCK ASSY, FUEL	1	1			1	1
18	.	24341-000150	O-RING 1A S-15.0	1	1			1	1
19	.	114252-55800	NUT	1	1			1	1
20	.	114650-55810	BOLT, LIFTING	1	1			1	1
21	.	22117-060000	WASHER 6	1	1			1	1
22	.	22117-080000	WASHER 8	1	1			1	1
23	.	26106-080452	BOLT M 8X 45 PLATED	1	1			1	1
24	.	26366-060002	NUT M 6	1	1			1	1
25	.	26476-060142	BOLT M 6X 14,TAPPING	2	2			2	2
26	.	106990-44660	BAND, HOSE	2	2			2	2
27	.	124722-59050	CLAMP 9	2	2			2	2
28	.	114250-59050	PIPE, FUEL OIL	1	1			1	1
29	.	114250-59060	PIPE, FUEL RETURN	1	1			1	1
30	.	114250-59810	PIPE, FUEL INJECTION	1	1			1	1

SPEC. CODE
 D14351-77100 D14353-78310
 D14351-78300 D14362-77100
 D14353-77110 D14654-77140

Fig. 12 STARTING MOTOR & DYNAMO



+-----+
 I 1B15 I
 I (1B02) I
 +-----+
 YOOR3981

(12) STARTING MOTOR & DYNAMO

91.07.02

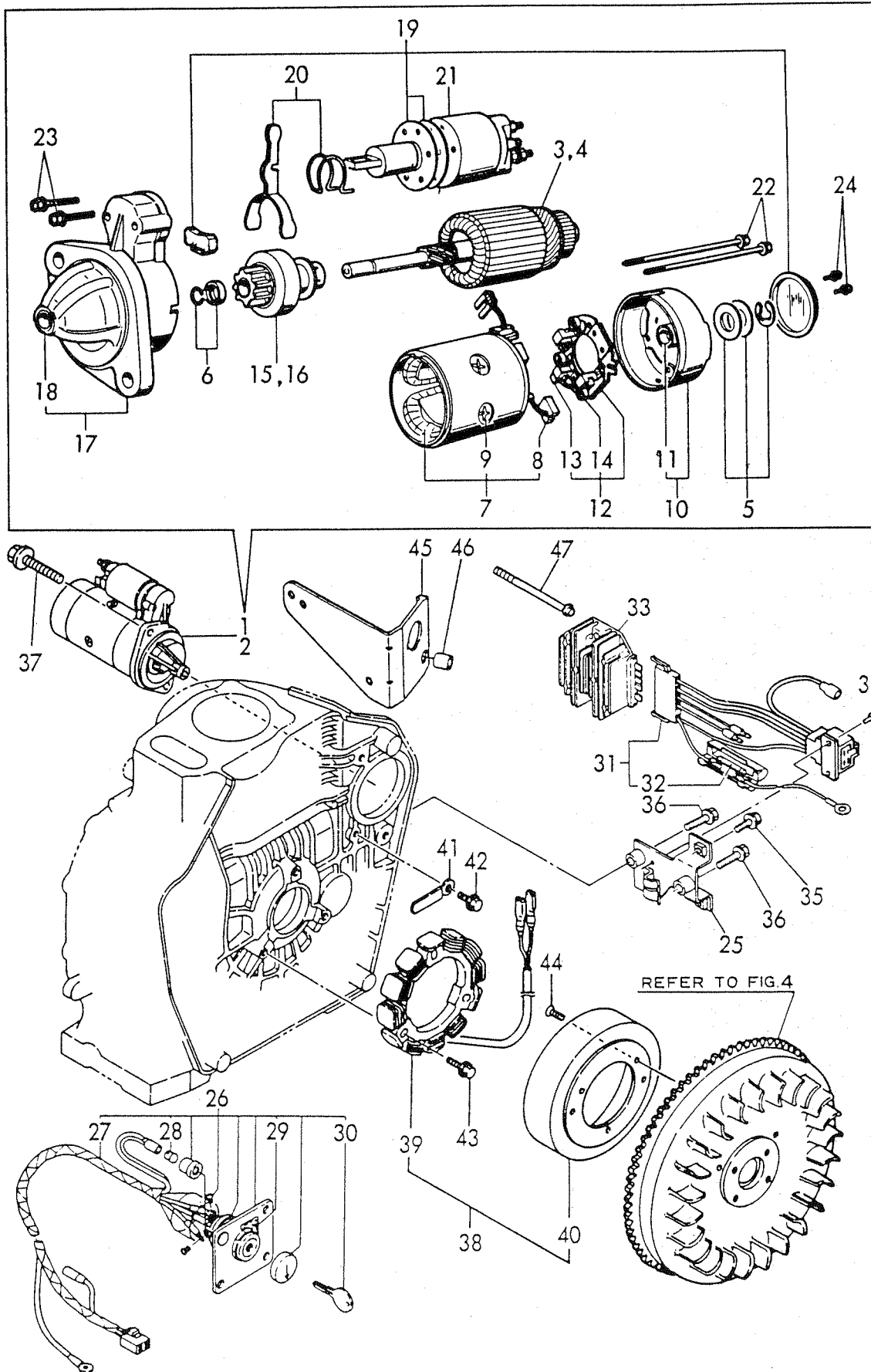
(A)= (D)=
 (B)=L40AE-DE (E)=L40AE-SE
 (C)=L48AE-DE (F)=L48AE-SE

REF. NO.	LEV. 0	PART NO.	DESCRIPTION	-----Q'TY-----						I	P	U	A	R
				(A)	(B)	(C)	(D)	(E)	(F)					
1	.	114362-77010	STARTER (S114-414A)		1	1								
2	.	114351-77010	STARTER (S114-413A)					1		1				
3	..	X211461104	ARMATURE		1	1								
4	..	X211461008	ARMATURE					1		1				
5	..	X21148110	WASHER SET, THRUST		1	1		1		1				
6	..	X21147155	STOPPER SET, PINION		1	1		1		1				
7	..	X211412105	COIL ASSY, FIELD		1	1		1		1				
8	...	X21145312	BRUSH (+)		2	2		2		2				
9	...	X21143215	SCREW, CORE		4	4		4		4				
10	..	X211473002	COVER, REAR		1	1		1		1				
11	...	X21145352	METAL		1	1		1		1				
12	..	X211489001	HOLDER ASSY, BRUSH		1	1		1		1				
13	...	X21148313	BRUSH (-)		1	1		1		1				
14	...	X21149314	SPRING, BRUSH		3	3		3		3				
15	..	X211445508	PINION ASSY		1	1								
16	..	X211445504	PINION ASSY					1		1				
17	..	X211416603	HOUSING ASSY, GEAR		1	1		1		1				
18	...	X21145352	METAL		1	1		1		1				
19	..	X211478006	COVER KIT, DUST		1	1		1		1				
20	..	X211456013	LEVER KIT, SHIFT		1	1		1		1				
21	..	X211427501	SWITCH, MAGNETIC		1	1		1		1				
22	..	X211468005	BOLT, THROUGH		2	2		2		2				
23	..	X21145867	BOLT 6		2	2		2		2				
24	..	X21142835	SCREW SET		1	1		1		1				
25	.	160970-77350	RECTIFIER		1	1		1		1				
26	.	183350-77400	WIRE, LEAD		1	1		1		1				
27	.	114253-77410	BRACKET					1		1				(Y)
I 27-	1	114385-77400	BRACKET					1		1				R
28	.	114253-77491	HARNESS, WIRE					(E=X)				
29	..	29411-150000	FUSE (15A), CARTRIDGE					1		1				(Y)
30	.	114253-77520	REGULATOR					2		2				(Y)
31	.	26023-040102	SCREW M 4X 10					1		1				(Y)
32	.	26106-060122	BOLT M 6X 12 PLATED		2	2		2		2				
33	.	26106-060202	BOLT M 6X 20 PLATED		1	1		1		1				
34	.	26106-060252	BOLT M 6X 25 PLATED					2		2				(Y)
I 34-	1	26106-060122	BOLT M 6X 12 PLATED					2		2				N
35	.	26106-100302	BOLT M10X 30 PLATED					(E=X)				
36	.	114351-78250	DYNAMO ASSY		2	2		2		2				
37	..	114351-78750	STATOR ASSY		1	1		1		1				
38	..	114351-78760	WHEEL, DYNAMO		1	1		1		1				
39	.	114351-78260	DYNAMO ASSY (12V-3A)					1		1				(Y)
40	..	114351-78770	STATOR ASSY, (132.1MM					1		1				(Y)
41	..	114351-78780	WHEEL (STATOR132.1MM					1		1				(Y)
42	.	160710-78710	CLAMP, CORD		1	1		1		1				
43	.	26476-060142	BOLT M 6X 14, TAPPING		1	1		1		1				
44	.	26476-060202	BOLT M 6X 20, TAPPING		3	3		3		3				
45	.	26577-060142	SCREW M 6X 14		3	3		3		3				
46	.	114351-77500	PANEL ASSY, KEYSWITCH		1	1		1		1				(H)
49	..	114351-77700	HARNESS, WIRE		1	1		1		1				(H)
50	...	29220-083200	BULB (12V/3.4W)		1	1		1		1				(H)
51	..	105198-07120	LABEL, STARTER		1	1		1		1				(H)
52	..	106100-77630	KEY, STARTER		1	1		1		1				(H)
53	.	114351-77620	BRACKET, ST. SWITCH		1	1		1		1				(H)
54	.	114351-77630	WASHER		2	2		2		2				(H)
55	.	26106-060702	BOLT M 6X 70 PLATED		2	2		2		2				(H)

REMARKS
 (Y) FOR L40AE-SEF, L48AE-SEF. (H) OPTIONAL PARTS
 Y052302

Fig. 13 STARTING MOTOR & DYNAMO

SPEC. CODE
D14361-77110
D14654-77140
D14353-78310



+-----+
 I 1C01 I
 I(1B02)I
 +-----+
 Y00R3981

(13) STARTING MOTOR & DYNAMO

91.07.02

(A)= (D)=
 (B)=L40AE-DETM (E)=L40AE-SETM
 (C)=L48AE-DETM (F)=L48AE-SETM

REF. NO.	LEV. 0	PART NO.	DESCRIPTION	-----Q'TY-----						I P/U A R
				(A)	(B)	(C)	(D)	(E)	(F)	
1	.	114362-77010	STARTER (S114-414A)	1	1					
2	.	114351-77010	STARTER (S114-413A					1	1	
3	..	X211461104	ARMATURE	1	1					
4	..	X211461008	ARMATURE					1	1	
5	..	X21148110	WASHER SET, THRUST	1	1			1	1	
6	..	X21147155	STOPPER SET, PINION	1	1			1	1	
7	..	X211412105	COIL ASSY, FIELD	1	1			1	1	
8	...	X21145312	BRUSH (+)	2	2			2	2	
9	...	X21143215	SCREW, CORE	4	4			4	4	
10	..	X211473002	COVER, REAR	1	1			1	1	
11	...	X21145352	METAL	1	1			1	1	
12	..	X211489001	HOLDER ASSY, BRUSH	1	1			1	1	
13	...	X21148313	BRUSH (-)	1	1			1	1	
14	...	X21149314	SPRING, BRUSH	3	3			3	3	
15	..	X211445508	PINION ASSY	1	1					
16	..	X211445504	PINION ASSY					1	1	
17	..	X211416603	HOUSING ASSY, GEAR	1	1			1	1	
18	...	X21145352	METAL	1	1			1	1	
19	..	X211478006	COVER KIT, DUST	1	1			1	1	
20	..	X211456013	LEVER KIT, SHIFT	1	1			1	1	
21	..	X211427501	SWITCH, MAGNETIC	1	1			1	1	
22	..	X211468005	BOLT, THROUGH	2	2			2	2	
23	..	X21145867	BOLT 6	2	2			2	2	
24	..	X21142835	SCREW SET	1	1			1	1	
25	.	114253-77410	BRACKET	1	1			1	1	
I 25- 1	.	114385-77400	BRACKET	1	1			1	1	R
		(B=X)								
26	.	114351-77500	PANEL ASSY,KEYSWITCH	1	1			1	1	
27	..	114351-77700	HARNES, WIRE	1	1			1	1	
28	...	29220-083200	BULB (12V/3.4W)	1	1			1	1	
29	..	105198-07120	LABEL, STARTER	1	1			1	1	
30	..	106100-77630	KEY, STARTER	1	1			1	1	
31	.	114351-77540	HARNES, WIRE	1	1			1	1	
32	..	29411-150000	FUSE (15A),CARTRIDGE	2	2			2	2	
33	.	119660-77710	CURRENT LIMITER	1	1			1	1	
34	.	26023-040102	SCREW M 4X 10	2	2			2	2	
35	.	26106-060202	BOLT M 6X 20 PLATED	2	2			2	2	
36	.	26106-060252	BOLT M 6X 25 PLATED	2	2			2	2	
I 36- 1	.	26106-060122	BOLT M 6X 12 PLATED	2	2			2	2	N
		(B=X)								
37	.	26106-100302	BOLT M10X 30 PLATED	2	2			2	2	
38	.	114351-78260	DYNAMO ASSY (12V-3A)	1	1			1	1	
39	..	114351-78770	STATOR ASSY, (132.1MM	1	1			1	1	
40	..	114351-78780	WHEEL (STATOR132.1MM	1	1			1	1	
41	.	160710-78710	CLAMP, CORD	1	1			1	1	
42	.	26476-060142	BOLT M 6X 14,TAPPING	1	1			1	1	
43	.	26476-060202	BOLT M 6X 20,TAPPING	3	3			3	3	
44	.	26577-060142	SCREW M 6X 14	3	3			3	3	
45	.	114351-77620	BRACKET, ST.SWITCH	1				1		(H)
46	.	114351-77630	WASHER	2				2		(H)
47	.	26106-060702	BOLT M 6X 70 PLATED	2				2		(H)

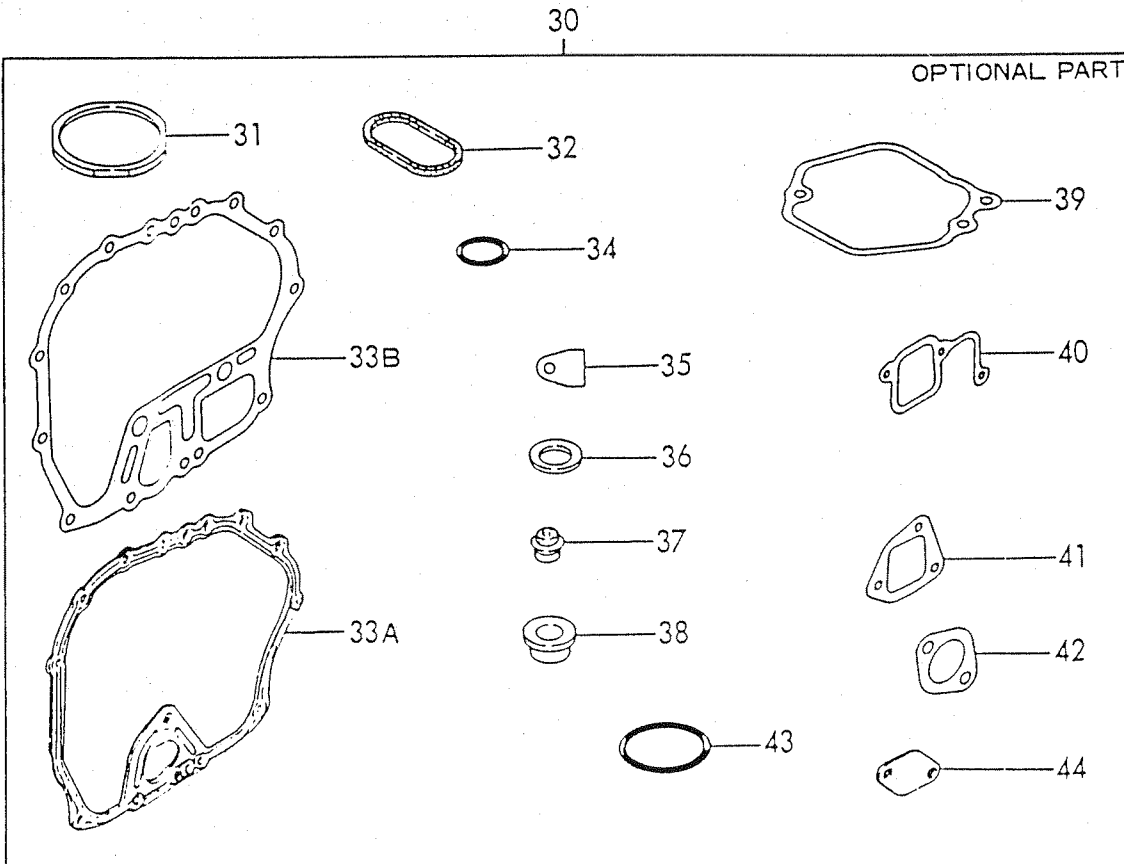
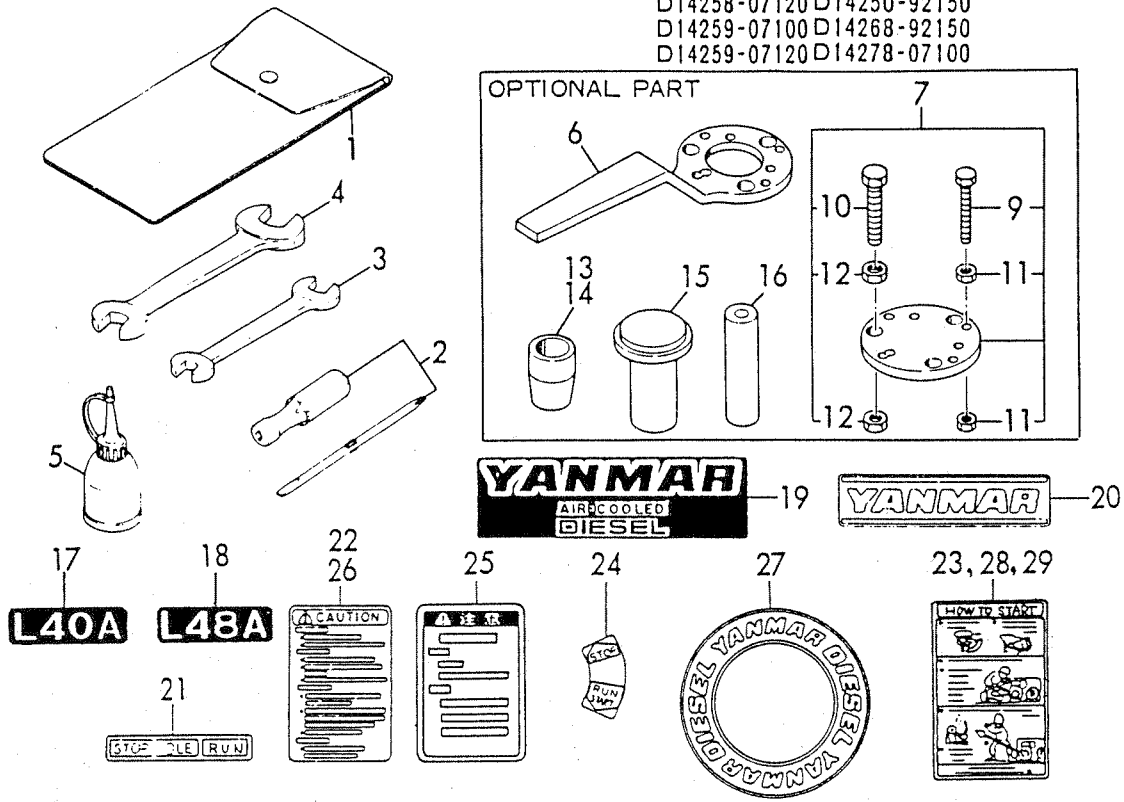
----- REMARKS -----

I(H) OPTIONAL PARTS

Y052302

Fig. 14 TOOL, LABEL & GASKET SET

SPEC. CODE
 D14250-92100 D14268-07100 D14278-07110
 D14250-92150 D14268-07120 D14288-07100
 D14254-07110 D14268-07140 D14288-07110
 D14254-07120 D14268-92150 D14278-07100
 D14254-07130 D14269-07110
 D14258-07110 D14250-92100
 D14258-07120 D14250-92150
 D14259-07100 D14268-92150
 D14259-07120 D14278-07100



+-----+
 I 1C02 I
 I (1B02) I
 +-----+
 Y00R3981

(14) TOOLS / LABELS & GASKET SET

91.07.02

(A)= (D)=
 (B)=L40AE-D/DE (E)=L40AE-S/SE
 (C)=L48AE-D/DE (F)=L48AE-S/SE

REF. NO.	LEV. 0	PART NO.	DESCRIPTION	-----Q'TY-----						I P/U A R
				(A)	(B)	(C)	(D)	(E)	(F)	
1	.	114250-92600	BAG, TOOL	1	1		1	1		
2	.	160330-92730	SCREWDRIVER	1	1		1	1		
3	.	28110-100120	WRENCH 10X12	1	1		1	1		
4	.	28110-140170	WRENCH 14X17	1	1		1	1		
5	.	28210-000150	FEEDER, OIL	1	1		1	1		
6	.	114250-92101	F.W. LOCKING HANDLE	1	1		1	1		(Y)
7	.	114250-92130	REMOVER, FLYWHEEL	1	1		1	1		(Y)
9	..	26116-060454	BOLT M 6X 45 PLATED	4	4		4	4		(Y)
10	..	26116-080454	BOLT M 8X 45 PLATED	3	3		3	3		(Y)
11	..	26716-060002	NUT M 6	8	8		8	8		(Y)
12	..	26716-080002	NUT M 8	6	6		6	6		(Y)
13	.	114268-92300	GUIDE, OIL SEAL	1	1					(Y)
14	.	114250-92301	GUIDE, OIL SEAL				1	1		(Y)
15	.	114250-92311	INSTALLING TOOL	1	1		1	1		(Y)
16	.	114250-92350	INSTALLING TOOL	1	1		1	1		(Y)
17	.	114270-07050	LABEL, (L40A)	1			1			
18	.	114770-07050	LABEL, (L48A)			1			1	
19	.	114250-07090	LABEL, AIR COOLED	1	1		1	1		
20	.	114250-07110	LABEL, YANMAR	1	1		1	1		
21	.	183250-07230	LABEL, OPERATION	1	1		1	1		
22	.	114268-07240	LABEL, CAUTION	1	1		1	1		
23	.	114250-07250	LABEL, HOW TO START	1	1		1	1		
24	.	114250-07260	LABEL, OPERATION	1	1		1	1		
25	.	114268-07260	LABEL, CAUTION	1	1		1	1		
26	.	114268-07280	LABEL, PRECAUTION	1	1					
27	.	114250-07350	LABEL, YANMAR DIESEL	1	1		1	1		
28	.	114268-07350	LABEL, HOW TO START	1	1		1	1		
29	.	114268-07360	LABEL, HOW TO START (F	1	1					
30A	.	714270-92600	GASKET SET	1			1			
30B	.	714770-92600	GASKET SET		1				1	
31A	..	114250-01340	GASKET, CYL. HEAD	1			1			
31B	..	114770-01340	GASKET, CYL. HEAD		1				1	
32	..	114250-01380	O-RING	1	1		1	1		
33A	..	114250-01411	GASKET, CRANK CASE	1	1		1	1		
33B	..	114250-01412	GASKET, CRANK CASE	1	1		1	1		
34	..	24311-000180	O-RING 1A P-18.0	2	2		2	2		
35	..	114250-01840	GASKET	1	1		1	1		
36	..	43400-500490	SEAL WASHER 16	2	2		2	2		
37	..	114250-11340	SEAL, VALVE STEM	2	2		2	2		
38	..	114250-11460	GASKET, NOZZLE	1	1		1	1		
39	..	114250-11310	GASKET, BONNET	1	1		1	1		
40	..	114250-12200	GASKET, AIR INTAKE	1	1		1	1		
41A	..	114250-12210	GASKET, AIR CLEANER	1	1		1	1		
41B	..	114252-12210	GASKET, AIR CLEANER	1	1		1	1		
42	..	114250-13200	GASKET, MUFFLER	1	1		1	1		
43	..	103338-32570	O-RING	1	1		1	1		
44	..	114250-35270	GASKET, L.O. STRAINER				1	1		

----- REMARKS -----
 I (Y) OPTIONAL PARTS

CONTENTS

<NOTES>

ABOVE-STATED O, Δ, x, MARK SHOWS APPLICABLE MODELS

O---MEANS COMMON

Δ---MEANS EXCLUSIVE USE FOR DTM/STM

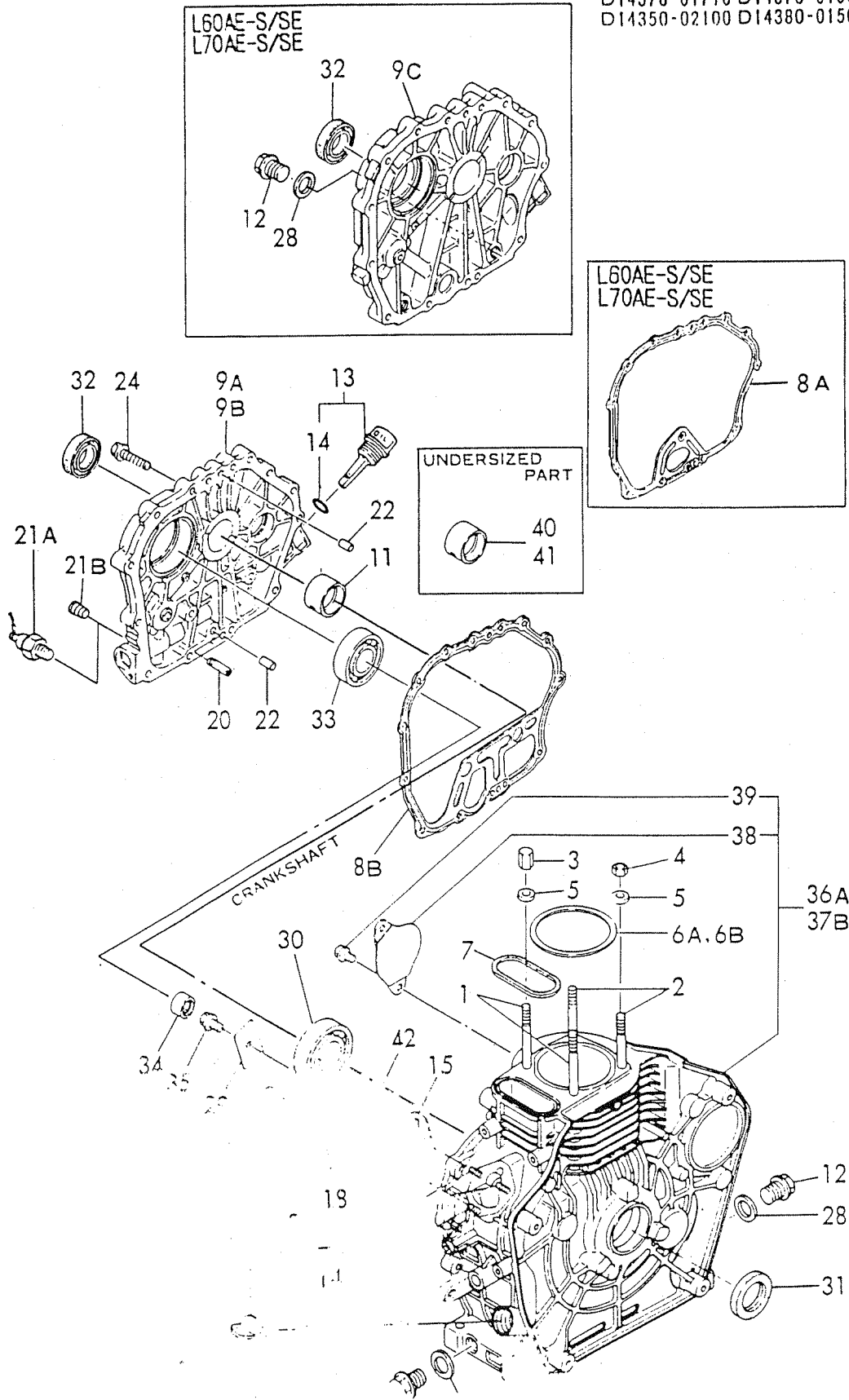
x---MEANS EXCEPT -DTM/-STM

SECTION 2 (L60AE & L70AE)

GROUP NO.	GROUP NAME	D/DF/DP/DV	DTM	S/SF	STM
15	CYLINDER BLOCK	O	O	O	O
16	CYLINDER HEAD & BONNET	O	O	O	O
17	AIR CLEANER & MUFFLER	O	O	O	O
18	CAM/CRANK/BARANCER SHAFT	O	O	O	O
19	PISTON & ROD	O	O	O	O
20	L. O. DEVICE & GOVERNOR CONTROL	O	O	O	O
21	COOLING & RECOIL STARTER	O	O	O	O
22	FUEL INJECTION PUMP & VALVE	x		x	
23	FUEL INJECTION PUMP & VALVE		Δ		Δ
24	FUEL TANK & FUEL PIPE	x		x	
25	FUEL TANK & FUEL PIPE		Δ		Δ
26	STARTING MOTOR & DYNAMO	x		x	
27	STARTING MOTOR & DYNAMO		Δ		Δ
28	TOOLS/LABELS & GASKET SET	O	O	O	O

Fig. 15 CYLINDER BLOCK

SPEC. CODE
 D14388-01500 D14280-39100
 D14370-01700 D14280-39110
 D14370-01710 D14370-01100
 D14378-01700 D14371-01100
 D14378-01710 D14370-01500
 D14350-02100 D14380-01500



+-----+
 I 1D03 I
 I(1D02)I
 +-----+
 YOOR3981

(15) CYLINDER BLOCK

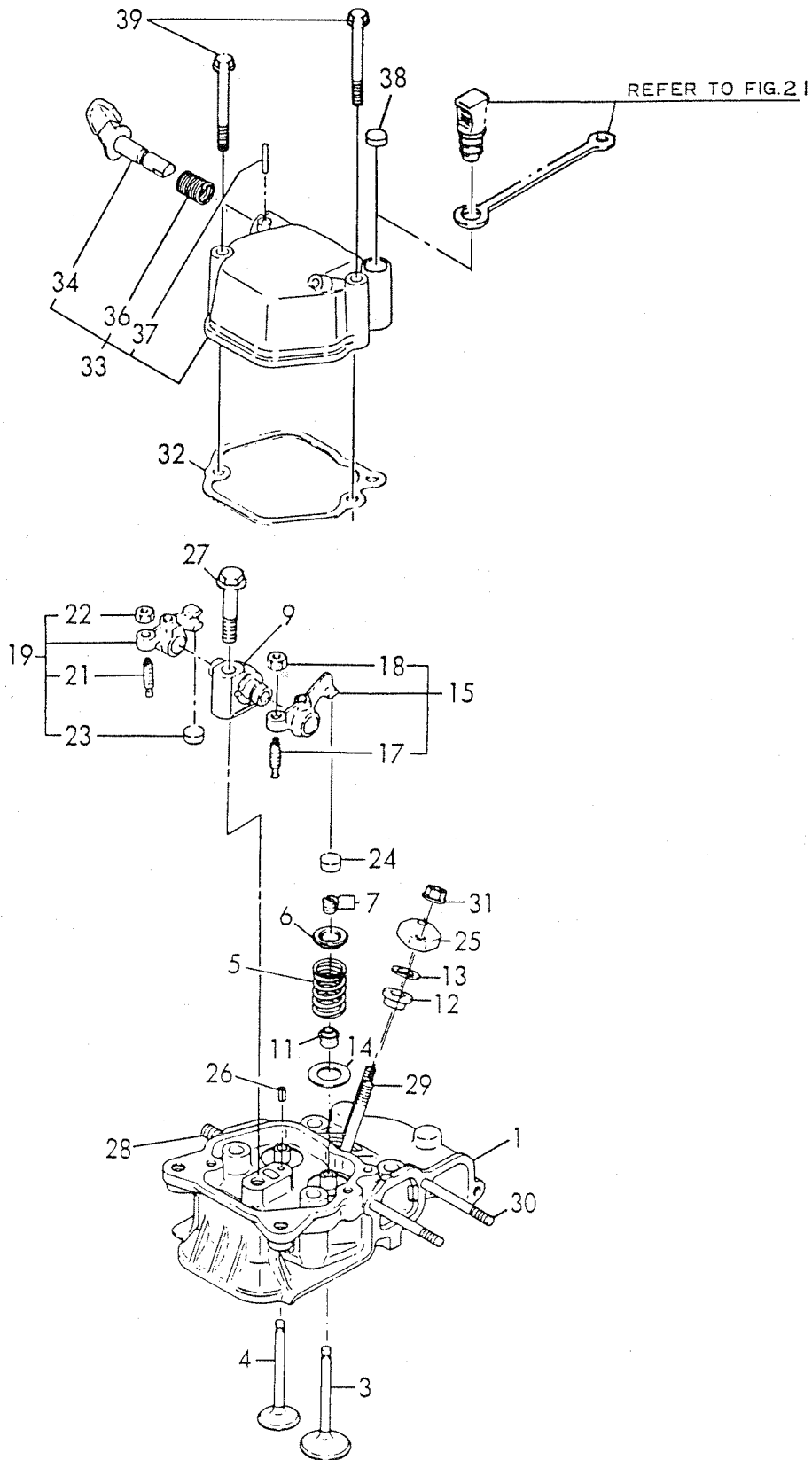
91.07.02

(A)= (D)=
 (B)=L60AE-D/DE (E)=L60AE-S/SE
 (C)=L70AE-D/DE (F)=L70AE-S/SE

REF. NO.	LEV. 0	PART NO.	DESCRIPTION	-----Q'ITY-----						I P/U A R
				(A)	(B)	(C)	(D)	(E)	(F)	
1	.	114350-01200	STUD, CYL. HEAD	2	2		2	2		
2	.	114350-01210	STUD, CYL. HEAD	2	2		2	2		
3	.	114350-01220	NUT 9	2	2		2	2		
4	.	114350-01250	NUT 9	2	2		2	2		
5	.	105225-01240	WASHER	4	4		4	4		
6A	.	114350-01340	GASKET, CYL. HEAD	1			1			
6B	.	114870-01340	GASKET, CYL. HEAD		1				1	
7	.	114350-01380	O-RING	1	1					
8A	.	114350-01411	GASKET, CRANK CASE					1	1	
8B	.	114350-01412	GASKET, CRANK CASE	1	1					
9	.	114368-01452	COVER (D), CRANK CASE	1	1					
9B	.	114360-01453	COVER (D), CRANK CASE	1	1					(#)
9C	.	114350-01452	COVER (S), CRANK CASE					1	1	
11	.	114350-02100	BEARING, MAIN	1	1		1	1		
12	.	105425-01690	PLUG M16	2	2		3	3		
13	.	160910-01740	CAP, W/LUB.OIL GAUGE	2	2		2	2		
14	..	24311-000180	O-RING 1A P-18.0	2	2		2	2		
15	.	114250-01800	SHIM SET	1	1		1	1		
17	.	114250-01830	COVER, INSPEC.WINDOW	1	1		1	1		
18	.	114250-01840	GASKET	1	1		1	1		
19	.	160110-01870	PLUG, RUBBER W/SCREW	1	1		1	1		
20	.	114250-35150	PIPE, L.O. INLET	1	1					
21A	.	183250-39450	SWITCH, OIL PRESSURE	1						(Y)
21B	.	23871-010000	PLUG PT1/8, SCREW	1	1		1	1		
22	.	22312-080120	PARALLEL PIN 8X12	2	2		2	2		
24	.	26106-080352	BOLT M 8X 35 PLATED	15	15		15	15		
25	.	26226-060182	STUD M 6X 18 PLATED	1	1		1	1		
26	.	26226-060222	STUD M 6X 22 PLATED	2	2		2	2		
27	.	26366-060002	NUT M 6	3	3		3	3		
28	.	43400-500490	SEAL WASHER 16	4	4		3	3		
29	.	114250-02030	RETAINER, BEARING	1	1		1	1		
30	.	114350-02113	BALL BEARING	1	1		1	1		
31	.	160110-02220	SEAL, OIL	1	1		1	1		
32	.	160110-02220	SEAL, OIL	1	1		1	1		
33	.	24101-062060	BALL BEARING	1	1		1	1		
34	.	24162-152112	NEEDLE BEARING	1	1		1	1		
35	.	26106-080122	BOLT M 8X 12 PLATED	1	1		1	1		
36A	.	714371-01560	BLOCK ASSY, CYLINDER	1			1			
36B	.	714871-01560	BLOCK ASSY, CYLINDER			1			1	
38	..	114350-01700	COVER, STARTER	1	1		1	1		
39	..	26106-100122	BOLT M10X 12 PLATED	2	2		2	2		
40	.	114350-02200	MAIN BEARING US=0.25	1	1		1	1		(H)
41	.	114350-02210	MAIN BEARING US=0.50	1	1		1	1		(H)

----- REMARKS -----
 I(Y) FOR L60AE-DGMO/DEGMO
 I(H) UNDER SIZED PARTS
 I(#) FOR L60AE/L70AE-D(E)F

Fig. 16 CYLINDER HEAD & BONNET



+-----+
 I 1D04 I
 I(1D02)I
 +-----+
 YOOR3981

(16) CYLINDER HEAD & BONNET

91.07.02

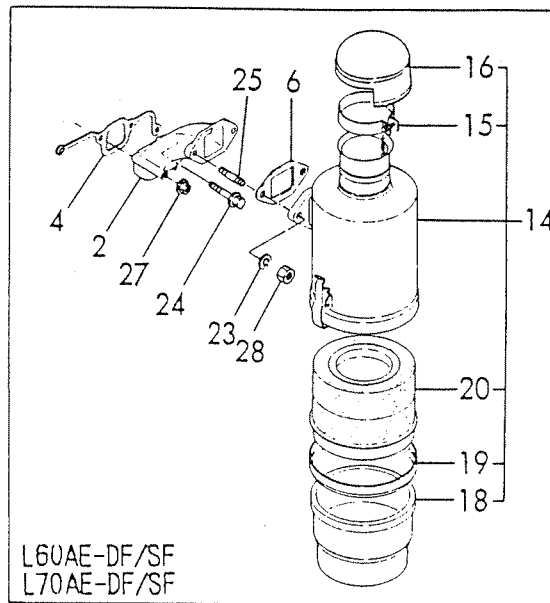
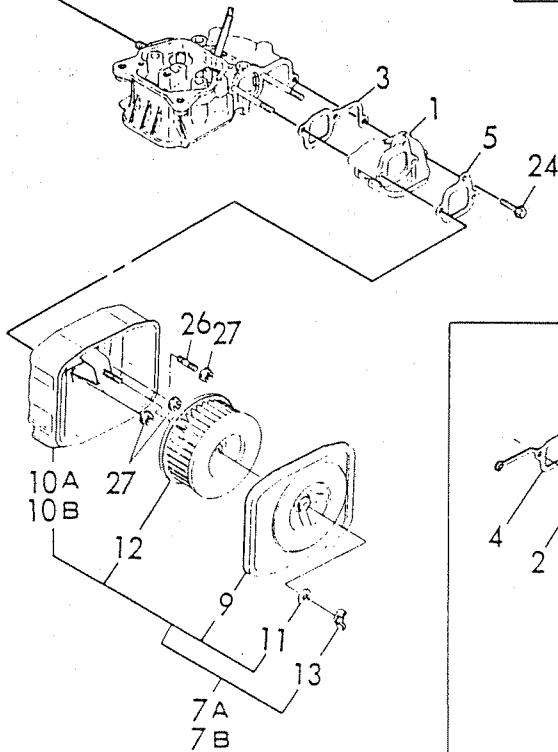
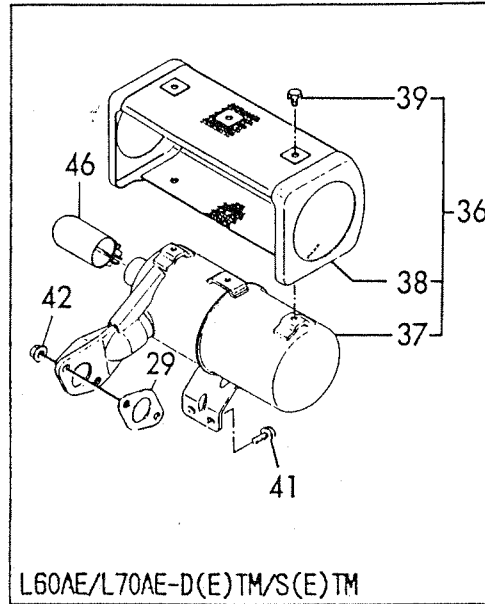
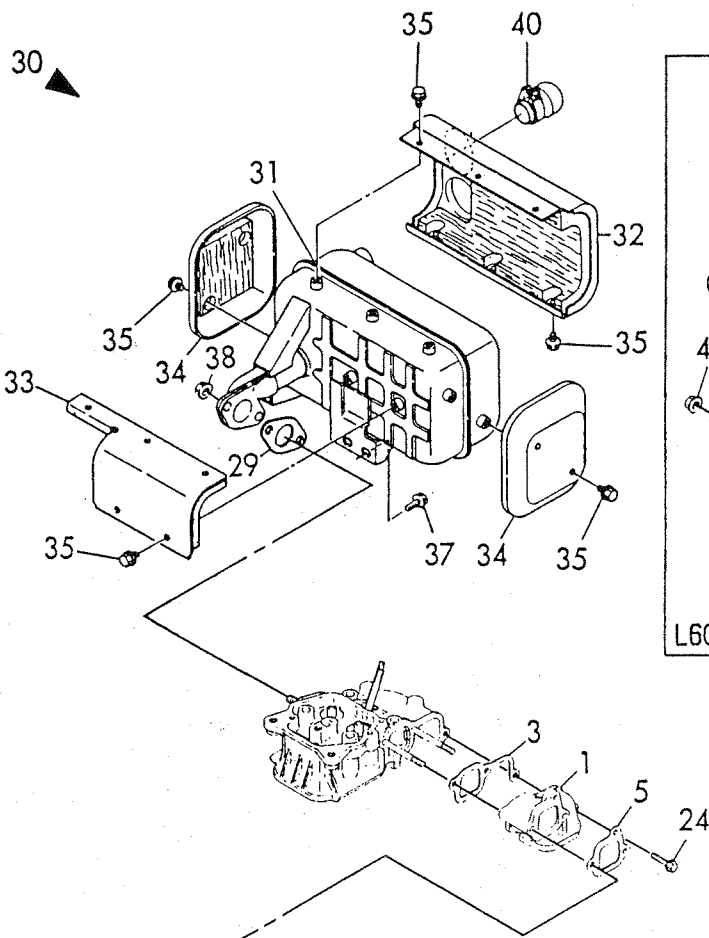
(A)= (D)=
 (B)=L60AE-D/DE (E)=L60AE-S/SE
 (C)=L70AE-D/DE (F)=L70AE-S/SE

REF. NO.	LEV. 0	PART NO.	DESCRIPTION	-----Q'TY-----						I	P/U	A	R
				(A)	(B)	(C)	(D)	(E)	(F)				
1	.	114350-11021	HEAD ASSY, CYLINDER	1	1			1	1				
I 1-1	.	114870-11021	HEAD ASSY, CYLINDER	1	1			1	1	N			
		(B=E06494) (C=E06494)						(E=E06495)	(F=E06495)				
3	.	114350-11101	VALVE, SUCTION	1	1			1	1				
4	.	114350-11113	VALVE, EXHAUST	1	1			1	1				
5	.	114350-11120	SPRING, VALVE	2	2			2	2				
6	.	101158-11180	RETAINER, SPRING	2	2			2	2				
7	.	27310-060001	COTTER ASSY	2	2			2	2				
9	.	114250-11290	SUPPORT, ROCKER ARM	1	1			1	1				
11	.	114350-11340	SEAL, VALVE STEM	2	2			2	2				
12	.	114250-11460	GASKET, NOZZLE	1	1			1	1				
13	.	114350-11470	SPACER, NOZZLE	1	1			1	1				
14	.	114250-11600	WASHER	2	2			2	2				
15	.	114250-11651	ARM ASSY, INTAKE	1	1			1	1				
17	..	114250-11240	SCREW, VALVE ADJUST.	1	1			1	1				
18	..	26756-060002	LOCK NUT M 6 PLATED	1	1			1	1				
19	.	714370-11660	ARM ASSY, EXHAUST	1	1			1	1				
21	...	114250-11240	SCREW, VALVE ADJUST.	1	1			1	1				
22	...	26756-060002	LOCK NUT M 6 PLATED	1	1			1	1				
23	..	105010-11490	CAP, VALVE	1	1			1	1				
24	.	105010-11490	CAP, VALVE	1	1			1	1				
25	.	114250-11900	RETAINER, NOZZLE	1	1			1	1				
26	.	22351-040008	SPRING PIN 4X 8	1	1			1	1				
27	.	26106-080452	BOLT M 8X 45 PLATED	1	1			1	1				
28	.	26216-080182	STUD M 8X 18 PLATED	2	2			2	2				
29	.	26226-060502	STUD M 6X 50	2	2			2	2				
30	.	26226-060552	STUD M 6X 55	2	2			2	2				
31	.	26366-060002	NUT M 6	2	2			2	2				
32	.	114250-11310	GASKET, BONNET	1	1			1	1				
33	.	114250-11951	BONNET ASSY, HEAD	1	1			1	1				
34	..	114250-03591	SHAFT ASSY, DECOMP.	1	1			1	1				
36	..	114250-03640	SPRING	1	1			1	1				
37	..	22312-030160	PARALLEL PIN 3X16	1	1			1	1				
38	.	129100-61850	PLUG (12)	1	1			1	1				
39	.	26106-060552	BOLT M 6X 55 PLATED	2	2			2	2				

----- REMARKS -----+-----

Fig. 17 AIR CLEANER & MUFFLER

SPEC. CODE
 D14350-12110
 D14352-12130
 D14388-12110
 D14384-13100
 D14878-13100



+-----+
 I 1005 I
 I(1002)I
 +-----+
 Y00R3981

(17) AIR CLEANER & MUFFLER

91.07.02

(A)= (D)=
 (B)=L60AE-D/DE (E)=L60AE-S/SE
 (C)=L70AE-D/DE (F)=L70AE-S/SE

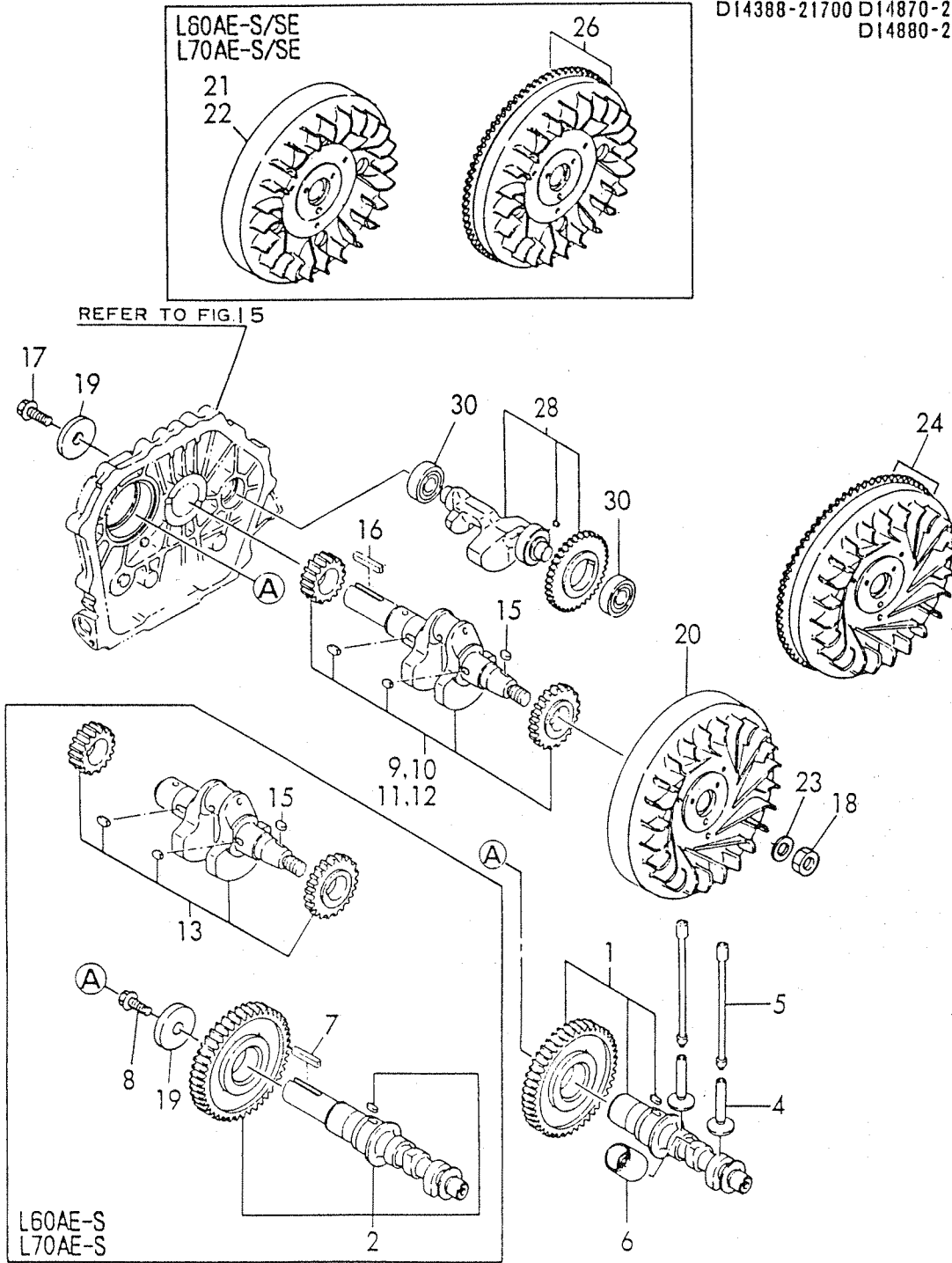
REF. NO.	LEV. 0	PART NO.	DESCRIPTION	-----Q'TY-----						I P/U A R
				(A)	(B)	(C)	(D)	(E)	(F)	
1	.	114350-12011	PIPE, AIR INTAKE	1	1			1	1	
2	.	114352-12010	PIPE, AIR INTAKE	1	1			1	1	(%)
3	.	114350-12200	GASKET, AIR INTAKE	1	1			1	1	
4	.	114350-12201	GASKET, AIR INTAKE	1	1			1	1	(%)
5	.	114250-12210	GASKET, AIR CLEANER	1	1			1	1	
6	.	114352-12210	GASKET, AIR CLEANER	1	1			1	1	(%)
7A	.	714250-12560	CLEANER ASSY, AIR	1	1			1	1	
7B	.	714268-12581	CLEANER ASSY, AIR	1	1					(H)
9	...	114250-12520	COVER, AIR CLEANER	1	1			1	1	
10A	...	114250-12530	CASE, AIR CLEANER	1	1			1	1	
10B	...	114250-12980	CASE, AIR CLEANER	1	1					(H)
11	...	114250-12560	WASHER, SEAL	1	1			1	1	
12	...	114250-12580	ELEMENT, WET AIR	1	1			1	1	
13	..	114250-12550	WING NUT M6	1	1			1	1	
14	.	114352-12700	CLEANER ASSY.OILBATH	1	1			1	1	(%)
15	..	160820-12300	BAND	1	1			1	1	(%)
16	..	114252-12660	CAP,AIRCLEANER	1	1			1	1	(%)
18	..	160820-12770	POT, OIL AIR CLEANER	1	1			1	1	(%)
19	..	160820-12780	RING	1	1			1	1	(%)
20	..	114352-12720	ELEMENT, AIR CLEANER	1	1			1	1	(%)
23	.	22217-080000	SPRING WASHER 8	2	2			2	2	
24	.	26106-060252	BOLT M 6X 25 PLATED	2	2			2	2	
25	.	26216-080182	STUD M 8X 18 PLATED	2	2			2	2	
26	.	26226-060142	STUD M 6X 14 PLATED	1	1			1	1	
27	.	26366-060002	NUT M 6	3	3			3	3	
28	.	26716-080002	NUT M 8	2	2			2	2	
29	.	114250-13200	GASKET, MUFFLER	1	1			1	1	
30	.	114870-13550	MUFFLER ASSY	1	1			1	1	
31	..	114870-13560	MUFFLER	1	1			1	1	
32	..	114870-13700	COVER(A), MUFFLER	1	1			1	1	
33	..	114870-13710	COVER(B), MUFFLER	1	1			1	1	
34	..	114870-13720	COVER(C), MUFFLER	2	2			2	2	
35	..	26106-060082	BOLT M 6X 8 PLATED	12	12			12	12	
36	.	114368-13500	MUFFLER W/COVER	1	1			1	1	(#)
37	..	114368-13510	MUFFLER	1	1			1	1	(#)
38	..	114268-13700	COVER, MUFFLER	1	1			1	1	(#)
39	..	26106-060082	BOLT M 6X 8 PLATED	6	6			6	6	(#)
40	.	114268-13800	EXTENSION, EXH.	1	1			1	1	(#)
41	.	26106-060122	BOLT M 6X 12 PLATED	2	2			2	2	
42	.	26366-080002	NUT 8	2	2			2	2	

----- REMARKS -----

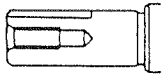

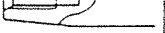
I (%) FOR L60AE/L70AE-D(E)F/S(E)F
 I (H) FOR L60AE/L70AE-D(E)V
 I (#) FOR L60AE/70AE-D(E)TM/S(E)TM

Fig. 18 CRANKSHAFT & CAMSHAFT

SPEC. CODE
 D14870-21500 D14873-14100
 D14871-21500 D14880-14100
 D14880-21500 D14388-21100
 D14881-21500 D14388-21110
 D14380-21700 D14388-21120
 D14388-21700 D14870-21100
 D14880-21100



L60AE-D/L70AE-D
 CRANK SHAFT

Ref. No.	MAGNIFIED AXIAL END	SCREW SIZE	KEY SIZE	Ref. No.	MAGNIFIED AXIAL END	SCREW SIZE
				12		1"-14UNF
9		7/16-20UNF	6.3x50			
11		M8x1.25	7x36	10		5/16-24UNF

+-----+
 I 1006 I
 I(1002)I
 +-----+
 YOOR3981

(18) CAM/CRANK/BARANCER SHAFT

91.07.02

(A)= (D)=
 (B)=L60AE-D/DE (E)=L60AE-S/SE
 (C)=L70AE-D/DE (F)=L70AE-S/SE

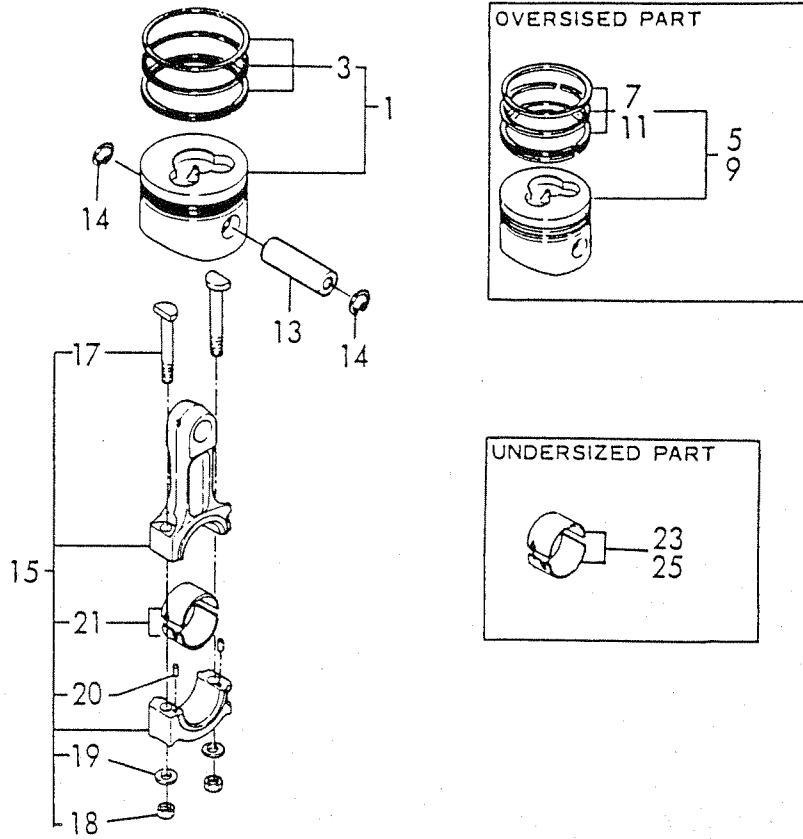
REF. NO.	LEV. 0	PART NO.	DESCRIPTION	-----Q'ITY-----						I	P	U	A	R
				(A)	(B)	(C)	(D)	(E)	(F)					
1	.	714880-14580	CAMSHAFT(D) ASSY.		1	1								
2	.	714870-14580	CAMSHAFT(S) ASSY.					1	1					
4	.	114250-14200	TAPPET, SUC./EXH.		2	2		2	2					
5	.	114350-14450	ROD, PUSH		2	2		2	2					
6	.	114250-14260	TAPPET, FUEL		1	1		1	1					
7	.	22512-070360	KEY 7X 36					1	1					
8	.	26106-080202	BOLT M 8X 20 PLATED					1	1					
9	.	714388-21700	CRANKSHAFT ASSY(D/DE		1	1								(J)
10	.	714388-21730	CRANKSHAFT ASSY(DGMO		1									(P)
11	.	714388-21740	CRANKSHAFT ASY(DV/DF		1	1								(G)
12	.	714388-21760	CRANKSHAFT ASSY(DP		1	1								(M)
13	.	714378-21710	CRANKSHAFT ASSY(S/SE						1	1				
14	.	22512-040120	KEY 4X 12		1	1		1	1					
15	.	160842-21150	KEY 6.3X50		1	1								
16	.	160842-21250	BOLT 7/16-20UNF		1	1								
17	.	103854-01221	NUT M16		1	1		1	1					
18	.	160310-14550	WASHER					1	1					
19	.	160842-21260	WASHER		1	1								
20	.	114880-21400	FLYWHEEL (D)		1	1								
21	.	114870-21400	FLYWHEEL (S)					1	1					
22	.	114870-21410	FLYWHEEL (SF)					1	1					(#)
23	.	114250-21550	WASHER, FLYWHEEL		1	1		1	1					
24	.	114881-21590	FLYWHEEL(DE) W/GEAR		1	1								
26	.	114871-21590	FLYWHEEL(SE) W/GEAR					1	1					
28	.	714870-28510	SHAFT ASSY, BALANCER		1	1		1	1					
30	.	24101-062024	BALL BEARING		2	2		2	2					

----- REMARKS -----

I(G) FOR L60AE/L70AE-D(E)F &
 I L60AE/L70AE-D(E)V
 I(M) FOR L60AE/L70AE-D(E)P
 I(P) FOR L60AE-DGMO/DEGMO
 I(#) FOR L60AE/L70AE-S(E)F
 I(J) FOR L60AE/L70AE-D(E)/D(E)TM

SPEC. CODE
D14370-22100
D14380-22100
D14350-23100

Fig. 19 PISTON & CONNECTING ROD



+-----+
 I 1D07 I
 I(1D02)I
 +-----+
 YOOR3981

(19) PISTON & ROD

91.07.02

(A)= (D)=
 (B)=L60AE-D/DE (E)=L60AE-S/SE
 (C)=L70AE-D/DE (F)=L70AE-S/SE

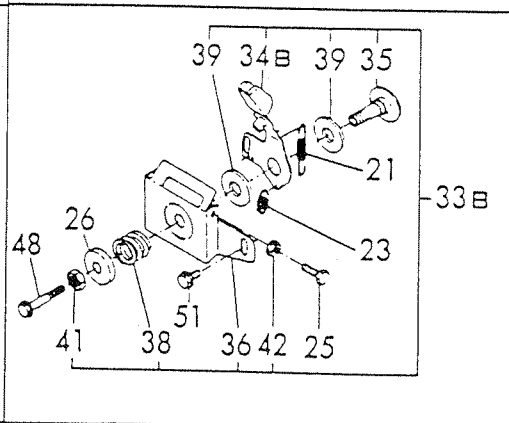
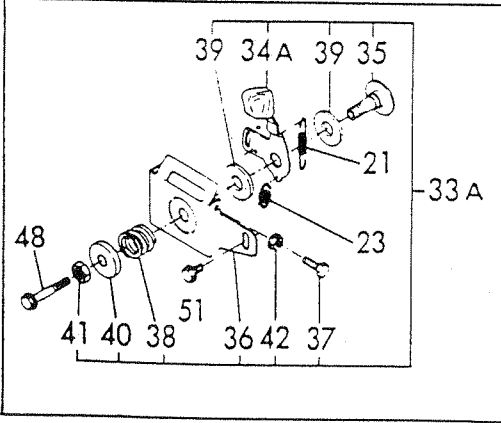
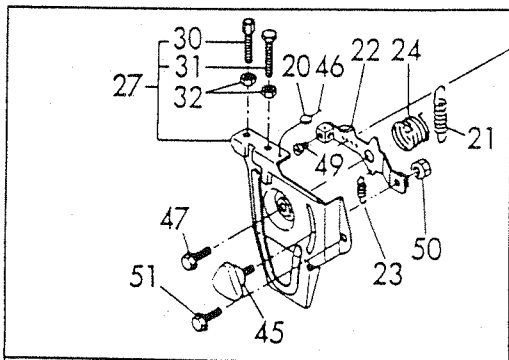
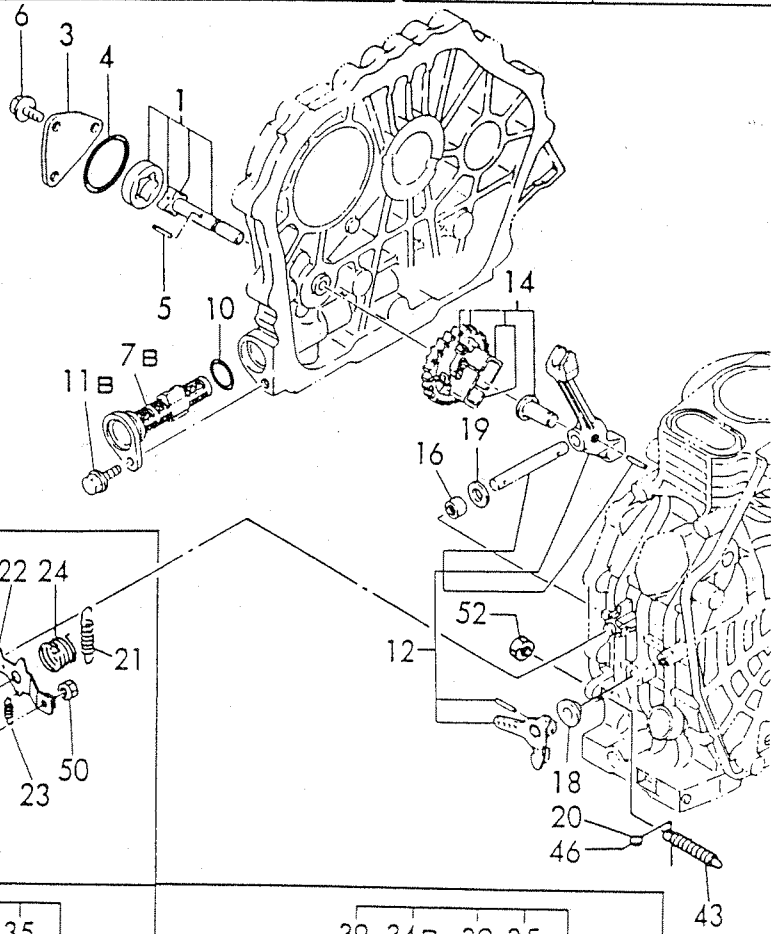
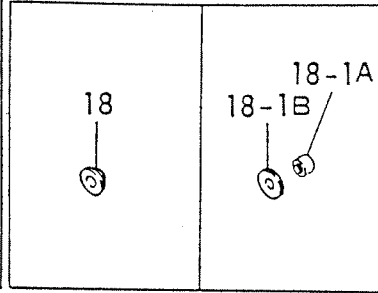
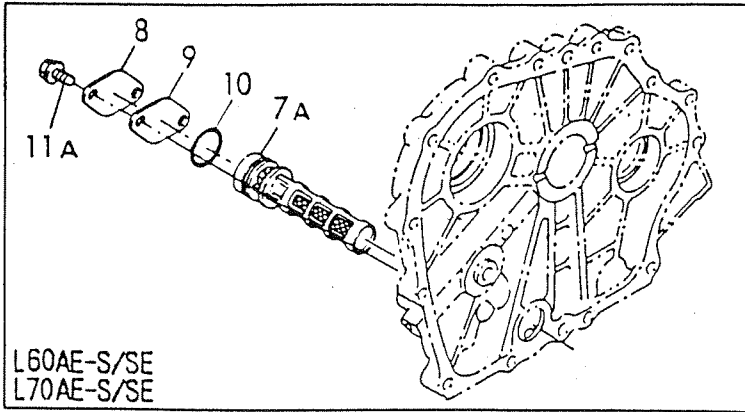
REF. NO.	LEV. 0	PART NO.	DESCRIPTION	-----Q'ITY-----						I	P	U	A	R
				(A)	(B)	(C)	(D)	(E)	(F)					
1A	.	714380-22720	PISTON W/RINGS		1									
1B	.	714880-22720	PISTON W/RINGS				1							
1C	.	714370-22720	PISTON W/RINGS						1					
1D	.	714870-22720	PISTON W/RINGS									1		
3A	..	714350-22502	RING SET, PISTON		1				1					
3B	..	714870-22500	RING SET, PISTON				1					1		
5A	.	714380-22620	PISTON W/RING(OS=.25		1									(H)
5B	.	714880-22620	PISTON W/RINGS(OS.25				1							(H)
5C	.	714370-22620	PISTON W/RING(OS0.25						1					(H)
5D	.	714870-22620	PISTON W/RING(OS0.25									1		(H)
7A	..	714350-22542	RING SET O.S=0.25		1				1					(H)
7B	..	714870-22540	RING SET (O.S. 0.25				1					1		(H)
9A	.	714380-22580	PISTON W/RING(OS=0.5		1									(H)
9B	.	714880-22580	PISTON W/RINGS(OS.5				1							(H)
9C	.	714370-22580	PISTON W/RING(OS0.50						1					(H)
9D	.	714870-22580	PISTON W/RING(OS0.50									1		(H)
11A	..	714350-22550	RING SET (O.S 0.25)		1				1					(H)
11B	..	714870-22550	RING SET (O.S. 0.50				1					1		(H)
13	.	114350-22301	PIN, PISTON D=21		1	1			1	1				
14	.	22252-000210	CIRCLIP 21		2	2			2	2				
15	.	714350-23704	ROD ASSY, CONNECTING		1	1			1	1				
17	...	114250-23200	BOLT, ROD		2	2			2	2				
18	...	114250-23220	NUT, ROD BOLT		2	2			2	2				
19	...	114250-23250	WASHER		2	2			2	2				
20	...	22312-030080	PARALLEL PIN 3X 8		2	2			2	2				
21	..	714350-23600	BEARING, CRANKPIN		1	1			1	1				
23	.	714350-23610	BEARING, PIN(U.S=0.25		1	1			1	1				(H)
25	.	714350-23620	BEARING, PIN(U.S=0.50		1	1			1	1				(H)

----- REMARKS -----

(H) OVERSIZED & UNDERSIZED PARTS

Fig. **20** LUB. OIL PUMP & GOVERNOR

SPEC. CODE
 D14770-32100
 D14250-35100
 D14250-35110
 D14770-61109
 D14770-66120
 D14770-66130
 D14270-66800
 D14370-66500
 D14870-66110



+-----+
 I 1008 I
 I 1002 I
 +-----+
 Y30R3981

(20) L.O. DEVICE & GOVERNOR CONTROL

(A)= (D)=
 (B)=L60AE-D/DE (E)=L60AE-S/SE
 (C)=L70AE-D/DE (F)=L70AE-S/SE

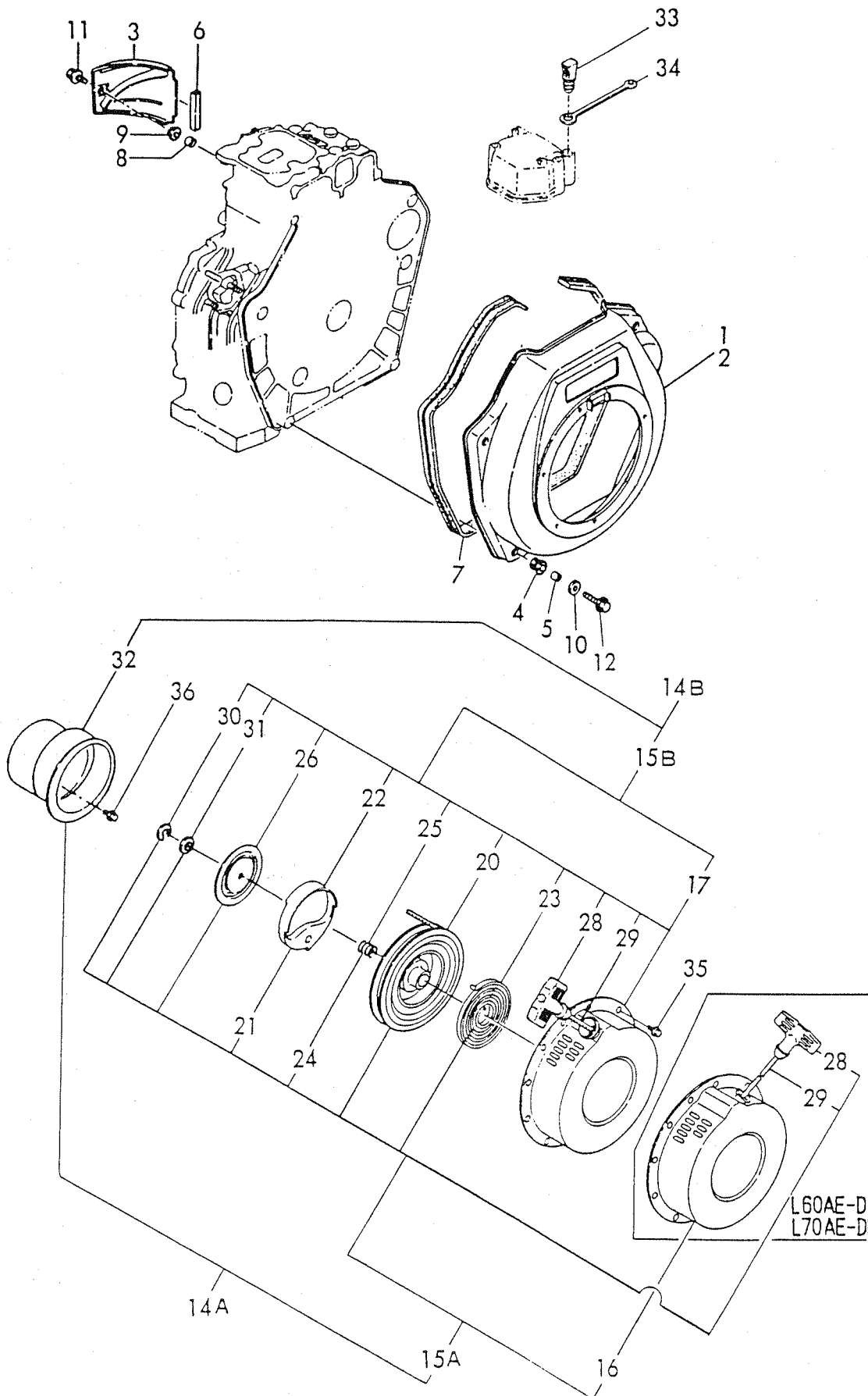
REF. NO.	LEV. 0	PART NO.	DESCRIPTION	-----Q'ITY-----						I	P	U	A	R
				(A)	(B)	(C)	(D)	(E)	(F)					
1	.	114250-32010	PUMP ASSY, LUB.OIL	1	1		1	1						
3	.	114250-32070	COVER, LUB. OIL PUMP	1	1		1	1						
4	.	103338-32570	O-RING	1	1		1	1						
5	.	22312-030160	PARALLEL PIN 3X16	1	1		1	1						
6	.	26476-060142	BOLT M 6X 14, TAPPING	3	3		3	3						
7A	.	114250-35060	STRAINER, LUB. OIL				1	1						
7B	.	114250-35070	STRAINER, LUB. OIL	1	1									
8	.	114250-35250	COVER					1	1					
9	.	114250-35270	GASKET, L.O.STRAINER					1	1					
10	.	24341-000224	O-RING 1A S-22.4	1	1		1	1						
11A	.	26106-060122	BOLT M 6X 12 PLATED					2	2					
11B	.	26106-060162	BOLT M 6X 16 PLATED	1	1									
12	.	714350-61500	LEVER ASSY, GOVERNOR	1	1		1	1						
14	.	714770-61700	GOVERNOR ASSY	1	1		1	1						
16	.	121450-61520	NEEDLE BEARING FJ810	2	2		2	2						
18	.	114250-61900	BUSH, THRUST	1	1		1	1						
19	.	22137-080000	WASHER 8, POLISHED	1	1		1	1						
20	.	135210-61090	LEAD	2	2		2	2						
21	.	114870-66010	SPRING, REGULATOR	1	1		1	1						
22	.	114250-66050	HANDLE, REGULATOR	1	1		1	1						
23	.	114250-66200	SPRING, RETURN	1	1		1	1						
24	.	114252-66252	SPRING, RETURN	1	1		1	1						
25	.	114250-66440	BOLT, ADJUSTING	1	1								(Y)	
26	.	114254-66220	SUPPORT	1	1								(Y)	
27	.	714268-66500	BRACKET ASSY, REGULAT	1	1		1	1						
30	...	102100-67080	BOLT, ADJUSTING	1	1		1	1						
31	...	114250-66440	BOLT, ADJUSTING	1	1		1	1						
32	..	26756-060002	LOCK NUT M 6 PLATED	2	2		2	2						
33A	.	183250-66500	BRACKET ASSY, REGULAT	1	1								(H)	
33B	.	114254-66200	BRACKET ASSY, REGULAT	1	1								(Y)	
34A	..	183250-66050	HANDLE, REGULATOR	1	1								(H)	
34B	..	114254-66210	HANDLE, REGULATOR	1	1								(Y)	
35	..	183250-66070	SHAFT, HANDLE	1	1								(H)	
36	..	183250-66100	BRACKET, REGULATOR	1	1								(H)	
37	..	114250-66440	BOLT, ADJUSTING	1	1								(H)	
38	..	104200-66820	SPRING	1	1								(H)	
39	..	104200-66830	PLATE, FRICTION	2	2								(H)	
-0	..	104200-66850	WASHER (B)	1	1								(H)	
-1	..	26696-100002	NUT M10	1	1								(H)	
-2	..	26756-060002	LOCK NUT M 6 PLATED	1	1								(H)	
-3	.	114250-66550	TORQUE SPRING ASSY	1	1			1	1					
-5	.	160725-78350	KNOB (W/M6X15)	1	1			1	1					
-6	.	22451-060000	WIRE 0.6	2	2		2	2						
-7	.	26106-060202	BOLT M 6X 20 PLATED	1	1			1	1					
-8	.	26106-060452	BOLT M 6X 45 PLATED	1									(#)	
-9	.	26116-040088	BOLT M 4X 8 PLATED	2	2			1	1					
50	.	26346-060002	U-NUT M 6 PLATED	1	1			1	1					
51	.	26476-060142	BOLT M 6X 14, TAPPING	1	1			1	1					
52	.	26696-100002	NUT M10	1	1			1	1					

----- REMARKS -----

I (H) FOR L60AE-DGMO/DEGMO &
 I L70AE/60AE-D(E)TM/S(E)TM
 I (#) FOR L60AE-DGMO/DEGMO
 I (Y) FOR L60AE/70AE-D(E)V

Fig. **21** COOLING & STARTING DEVICE

SPEC. CODE
 D14870-45100
 D14880-45100
 D14870-76100
 D14880-76100



+-----+
 I 1D09 I
 I(1D02)I
 +-----+
 YOOR3981

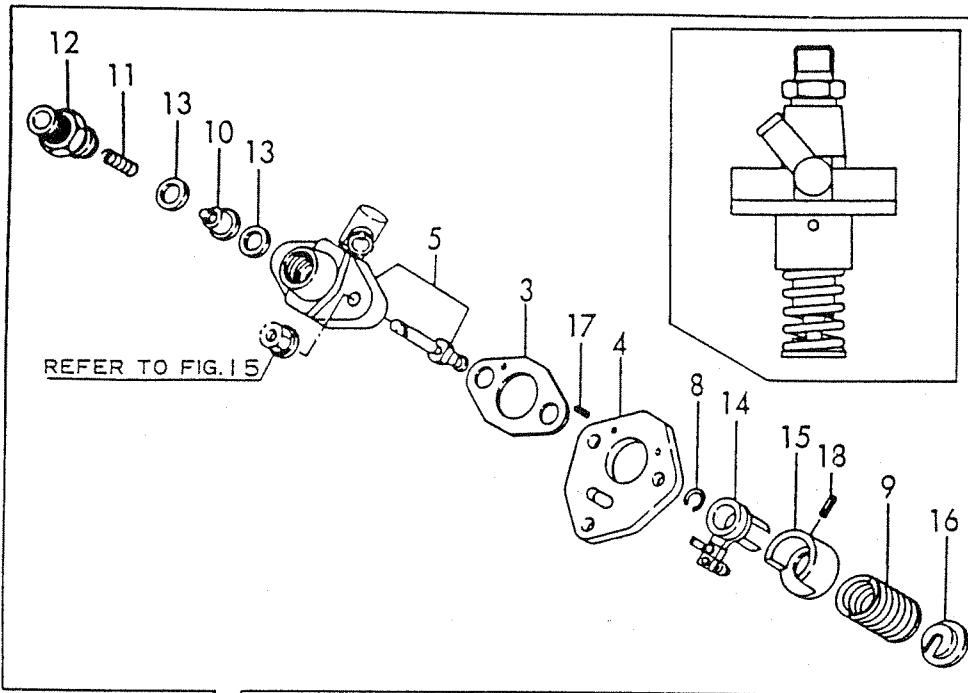
(21) COOLING & RECOIL STARTER

(A)= (D)=
 (B)=L60AE-D/DE (E)=L60AE-S/SE
 (C)=L70AE-D/DE (F)=L70AE-S/SE

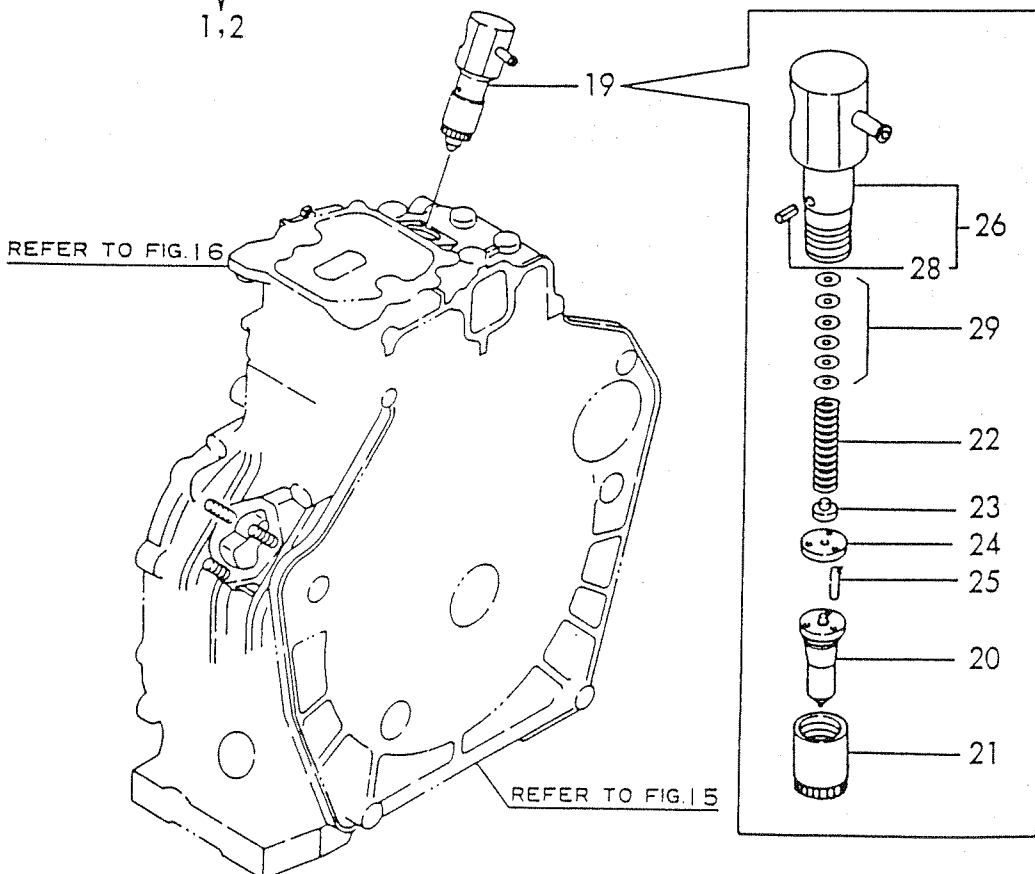
REF. NO.	LEV. 0	PART NO.	DESCRIPTION	-----Q'TY-----						I P/U A R
				(A)	(B)	(C)	(D)	(E)	(F)	
1	.	114360-45101	CASE(D), COOLING FAN		1	1				
2	.	114870-45100	CASE(S), COOLING FAN					1	1	
3	.	114870-45200	COVER, CYLINDER		1	1		1	1	
4	.	114250-45300	RUBBER, CUSHION		5	5		5	5	
5	.	114250-45310	COLLAR		5	5		5	5	
6	.	114350-45320	RUBBER, SEAL		1	1		1	1	
7	.	114250-45330	SEAL, FAN CASE		1	1		1	1	
8	.	114350-45340	COLLAR		1	1		1	1	
9	.	183720-55210	GROMMET		1	1		1	1	
10	.	160120-76940	WASHER		5	5		5	5	
11	.	26476-060202	BOLT M 6X 20,TAPPING		1	1		1	1	
12	.	26476-060252	BOLT M 6X 25,TAPPING		5	5		5	5	
14A	.	714880-76820	RECOIL STARTER(D)ASY		1	1				
14B	.	714870-76820	RECOIL STARTER(S)ASY					1	1	
15A	..	714880-76830	RECOIL STARTER(D)ASY		1					
15A-1	..	714880-76821 (B=X)	RECOIL STARTER(D)ASY		1	1				N
16A	..	714870-76830	RECOIL STARRER(S)ASY					1		
16A-1	..	714870-76821	RECOIL STARRER(S)ASY					1	1	N
						(E=X)				
18	...	714880-76831	CASE (D) W/LABEL		1	1				
19	...	714870-76831	CASE (S) W/LABEL					1	1	
21	114250-07350	LABEL, DIESEL		1	1		1	1	
22	...	160810-76520	REEL, RECOIL		1	1		1	1	
23	...	160840-76530	RATCHET		1	1				
24	...	160810-76530	RATCHET					1	1	
25	...	160810-76540	SPRING, SPIRAL		1	1		1	1	
26	...	160840-76560	SPRING, FRICTION		1	1				
27	...	160810-76560	SPRING, FRICTION					1	1	
28	...	160810-76580	PLATE, FRICTION		1	1		1	1	
30	...	160810-76620	KNOB, STARTER		1	1		1	1	
31	...	160810-76630	ROPE, STARTER		1	1		1	1	
32	...	181130-76680	NUT		1	1		1	1	
33	...	181130-76700	WASHER		1	1		1	1	
34	..	114350-76590	PULLEY, STARTER		1	1		1	1	
35	.	114250-76600	PLUNGER		1	1		1	1	
36	.	114250-76610	HOLDER, PLUNGER		1	1		1	1	
37	.	26106-060082	BOLT M 6X 8 PLATED		4	4		4	4	
38	.	26106-060122	BOLT M 6X 12 PLATED		3	3		3	3	

----- REMARKS -----

Fig. **22** FUEL INJECTION PUMP & VALVE



1,2



+-----+
 I 1D10 I
 I(1D02)I
 +-----+
 YOOR3981

(22) FUEL INJECTION PUMP & VALVE

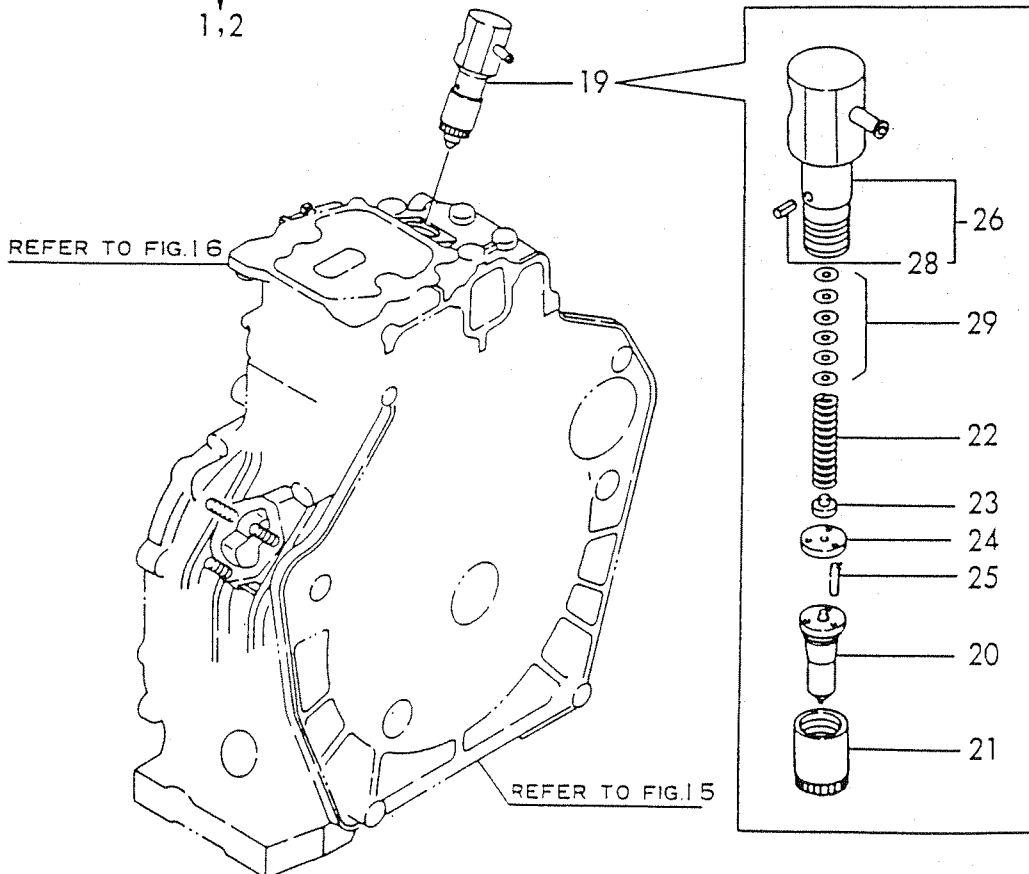
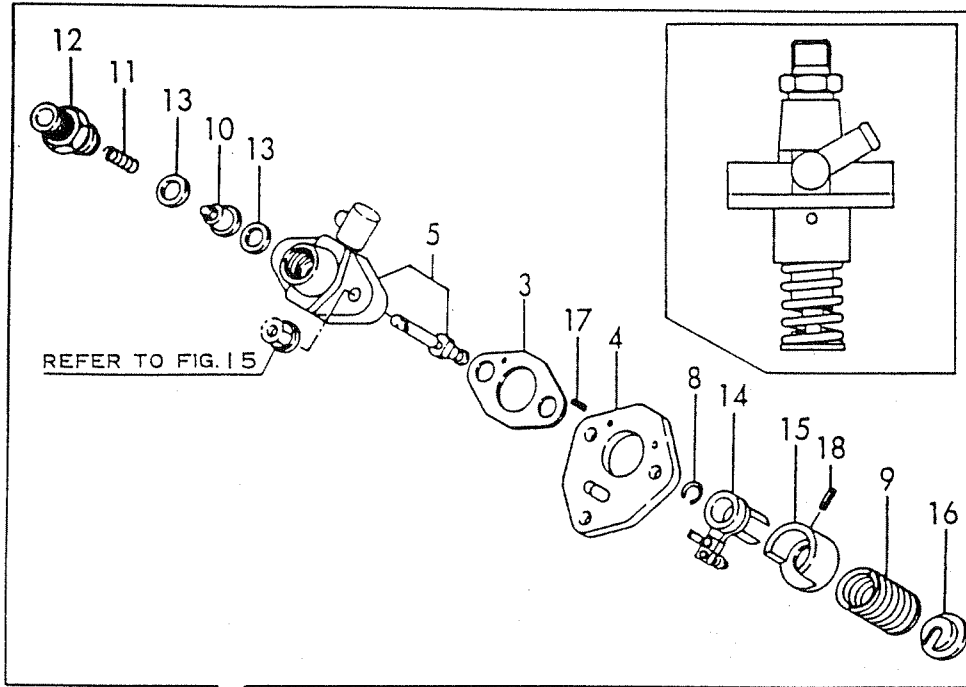
(A)= (D)=
 (B)=L60AE-D/DE (E)=L60AE-S/SE
 (C)=L70AE-D/DE (F)=L70AE-S/SE

REF. NO.	LEV. 0	PART NO.	DESCRIPTION	-----Q'ITY-----						I P/U A R
				(A)	(B)	(C)	(D)	(E)	(F)	
1A	.	714350-51710	PUMP ASSY, F.INJECT.	1				1		
1B	.	714870-51700	FUEL INJECTION PUMP			1				1
3	..	105546-51020	GASKET		1	1		1		1
4	..	114250-51080	PLATE	1	1			1		1
5	..	114350-51200	BODY, F.I. PUMP	1	1			1		1
8	..	114250-51150	SNAP RING	1	1			1		1
9	..	114250-51160	SPRING	1	1			1		1
10	..	114250-51300	VALVE ASSY, DELIVERY	1	1			1		1
11	..	105546-51330	SPRING, DELIV. VALVE	1	1			1		1
12	..	114250-51340	HOLDER, F.I.P.DELIVE	1	1			1		1
13	..	124550-51350	GASKET, DELIVERY	2	2			2		2
14	..	114250-51600	LEVER ASSY, CONTROL	1	1			1		1
15	..	114250-51640	SEAT (A), SPRING	1	1			1		1
16	..	114250-51650	SEAT (B), SPRING	1	1			1		1
17	..	22351-020006	SPRING PIN 2X 6	2	2			2		2
18	..	22351-030008	SPRING PIN 3X 8	1	1			1		1
19	.	714350-53100	VALVE ASSY, F.INJECT	1	1			1		1
19-1	.	714870-53100	VALVE ASSY, F.INJECT	1	1			1		1 N
			(B=X)							
I 20	..	114350-53000	NOZZLE ASSY, F.INJECT	1	1			1		1
20-1	..	114870-53000	NOZZLE ASSY, F.INJECT	1	1			1		1 N
			(B=X)							
21	..	114250-53080	NUT, NOZZLE CASE	1	1			1		1
22	..	114250-53120	SPRING, NOZZLE	1	1			1		1
23	..	114250-53130	SEAT, NOZZLE SPRING	1	1			1		1
24	..	114250-53140	PLATE, STOP	1	1			1		1
25	..	114250-53210	PIN	2	2			2		2
26	..	114250-53300	HOLDER ASSY, NOZZLE	1	1			1		1
28	...	114250-53331	PIN, SPRING	1	1			1		1
29	..	114250-53400	SHIM PACK	1	1			1		1

----- REMARKS -----+-----

Fig. **23** FUEL INJECTION PUMP & VALVE

SPEC. CODE
D83250-51400
D83350-51400
D14250-53101
D14350-53100



+-----+
 I 1D11 I
 I (1D02) I
 +-----+
 YOOR3981

(23) FUEL INJECTION PUMP & VALVE

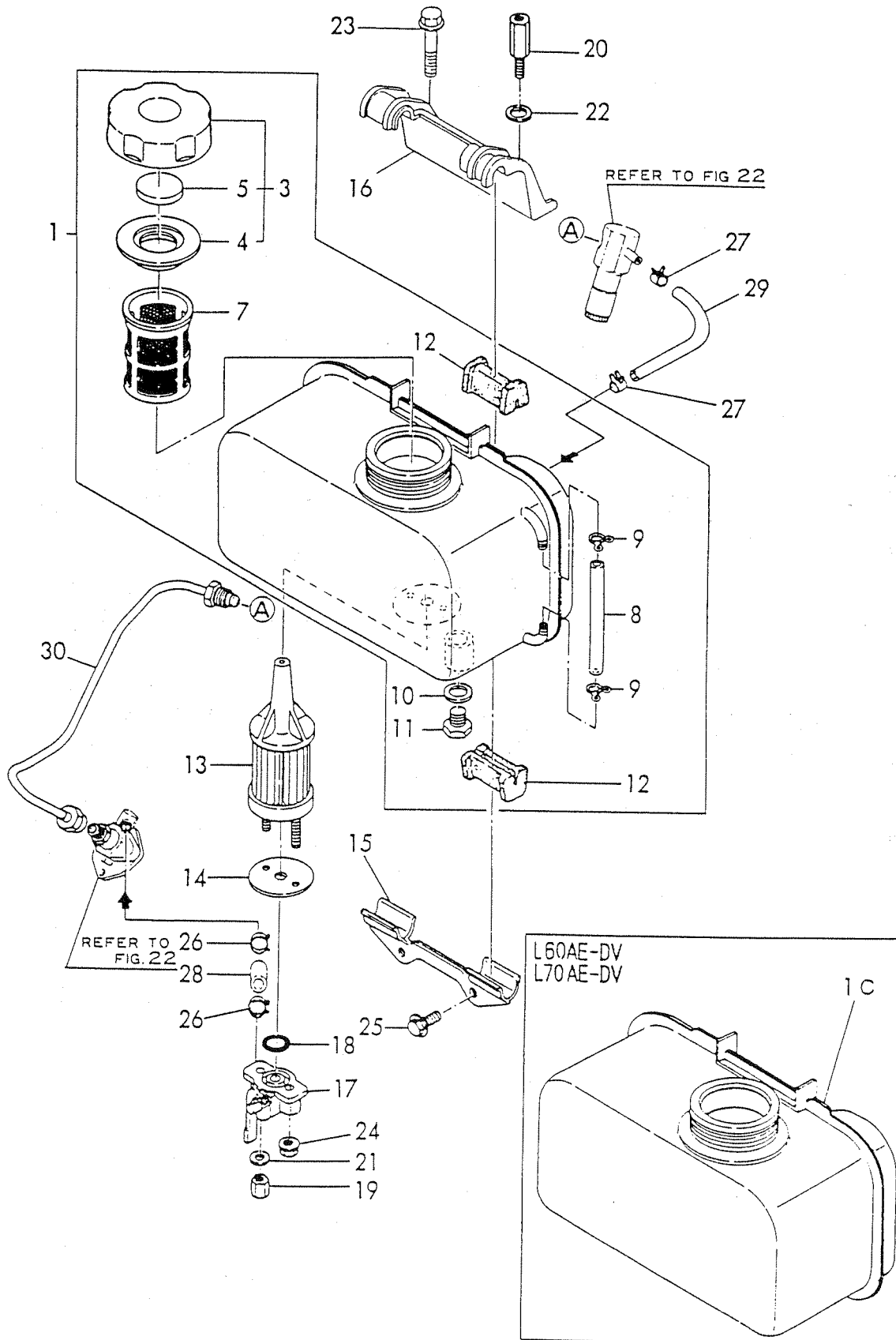
(A)= (D)=
 (B)=L60AE-D(E)TM(E)=L60AE-S(E)TM
 (C)=L70AE-D(E)TM(F)=L70AE-S(E)TM

REF. NO.	LEV. 0	PART NO.	DESCRIPTION	-----Q'TY-----						I P/U A R
				(A)	(B)	(C)	(D)	(E)	(F)	
1	.	783350-51740	PUMP ASSY. F.INJECT.	1				1		
2	.	714870-51740	PUMP ASSY. F.INJECT.				1			1
3	..	105546-51020	GASKET	1	1			1	1	
4	..	114250-51080	PLATE	1	1			1	1	
5	..	183350-51400	BODY, F. I. PUMP	1	1			1	1	
8	..	114250-51150	SNAP RING	1	1			1	1	
9	..	114250-51160	SPRING	1	1			1	1	
10	..	114250-51300	VALVE ASSY, DELIVERY	1	1			1	1	
11	..	105546-51330	SPRING, DELIV. VALVE	1	1			1	1	
12	..	114250-51340	HOLDER, F.I.P.DELIVE	1	1			1	1	
13	..	124550-51350	GASKET, DELIVERY	2	2			2	2	
14	..	114250-51600	LEVER ASSY, CONTROL	1	1			1	1	
15	..	114250-51640	SEAT (A), SPRING	1	1			1	1	
16	..	114250-51650	SEAT (B), SPRING	1	1			1	1	
17	..	22351-020006	SPRING PIN 2X 6		2	2		2	2	
18	..	22351-030008	SPRING PIN 3X 8	1	1			1	1	
19	.	714350-53100	VALVE ASSY, F.INJECT	1	1			1	1	
19-1	.	714870-53100	VALVE ASSY, F.INJECT	1	1			1	1	R
(B=X)										
20	..	114350-53000	NOZZLE ASSY, F.INJECT	1	1			1	1	
20-1	..	114870-53000	NOZZLE ASSY, F.INJECT	1	1			1	1	R
(B=X)										
21	..	114250-53080	NUT, NOZZLE CASE	1	1			1	1	
22	..	114250-53120	SPRING, NOZZLE	1	1			1	1	
23	..	114250-53130	SEAT, NOZZLE SPRING	1	1			1	1	
24	..	114250-53140	PLATE, STOP	1	1			1	1	
25	..	114250-53210	PIN	2	2			2	2	
26	..	114250-53300	HOLDER ASSY, NOZZLE	1	1			1	1	
28	...	114250-53331	PIN, SPRING	1	1			1	1	
29	..	114250-53400	SHIM PACK	1	1			1	1	

----- REMARKS -----

Fig. 24 FUEL TANK & FUEL LINE

SPEC. CODE
 D14350-55100
 D14354-55100
 D14350-59100



+-----+
 I 1D12 I
 I(1002)I
 +-----+
 YOOR3981

(24) FUEL TANK & FUEL PIPE

(A)= (D)=
 (B)=L60AE-D/DE (E)=L60AE-S/SE
 (C)=L70AE-D/DE (F)=L70AE-S/SE

REF. NO.	LEV. 0	PART NO.	DESCRIPTION	-----Q'TY-----						I	P/U	A	R
				(A)	(B)	(C)	(D)	(E)	(F)				
1A	.	714350-55711	TANK ASSY.FUEL(D/S	1	1			1	1				
1B	.	714368-55721	TANK ASSY.FUEL(DGMO	1	1							(X)	
1C	.	714368-55750	TANK ASSY, FUEL(DV)	1	1							(H)	
1D	.	714358-55701	TANK ASSY.FUEL(DF/SF	1	1			1	1			(U)	
3	..	114250-55041	CAP, TANK	1	1			1	1				
4	...	114250-55050	GASCET, TANK CAP	1	1			1	1				
5	...	114250-55060	SEAL	1	1			1	1				
7	..	114250-55100	FILTER, FUEL	1	1			1	1				
8	..	114350-55150	PIPE, GAUGE	1	1			1	1				
9	..	124722-59050	CLAMP 9	2	2			2	2				
10	..	23414-120000	GASKET 12, ROUND	1	1			1	1				
11	..	23887-120002	PLUG 12,HEX.	1	1			1	1				
12	..	114250-55201	DAMPER, FUEL TANK	4	4			4	4				
13	.	114350-55120	FILTER, FUEL OIL	1	1			1	1				
14	.	114250-55130	GASKET	1	1			1	1				
15	.	114250-55211	STAY (A)	1	1			1	1				
16	.	114350-55231	STAY (B)	1	1			1	1				
17	.	114250-55300	COCK ASSY, FUEL	1	1			1	1				
18	.	24341-000150	O-RING 1A S-15.0	1	1			1	1				
19	.	114252-55800	NUT	1	1			1	1				
20	.	114650-55810	BOLT, LIFTING	1	1			1	1				
21	.	22117-060000	WASHER 6	1	1			1	1				
22	.	22117-080000	WASHER 8	1	1			1	1				
23	.	26106-080452	BOLT M 8X 45 PLATED	1	1			1	1				
24	.	26366-060002	NUT M 6	1	1			1	1				
25	.	26476-060142	BOLT M 6X 14,TAPPING	2	2			2	2				
26	.	106990-44660	BAND, HOSE	2	2			2	2				
27	.	124722-59050	CLAMP 9	2	2			2	2				
28	.	114360-59060	PIPE, FUEL OIL	1	1			1	1				
29	.	114250-59060	PIPE, FUEL RETURN	1	1			1	1				
30	.	114350-59800	PIPE, FUEL INJECTION	1	1			1	1				

----- REMARKS -----+

I (H) FOR L60AE/L70AE-D(E)V
 I (X) FOR L60AE-DGMO/DEGMO
 I (U) FOR L60AE/L70AE-D(E)F/S(E)F

+-----+
 I 1D13 I
 I(1D02)I
 +-----+
 Y00R3981

(25) FUEL TANK & FUEL PIPE

(A)= (D)=
 (B)=L60AE-D(E)TM(E)=L60AE-S(E)TM
 (C)=L70AE-D(E)TM(F)=L70AE-S(E)TM

REF. NO.	LEV. 0	PART NO.	DESCRIPTION	-----Q'TY-----						I	P/U	A	R
				(A)	(B)	(C)	(D)	(E)	(F)				
1	.	714368-55701	TANK ASSY.(DTM/STM)	1	1			1	1				
3	..	114250-55041	CAP, TANK	1	1			1	1				
4	...	114250-55050	GASCET, TANK CAP	1	1			1	1				
5	...	114250-55060	SEAL	1	1			1	1				
7	..	114250-55100	FILTER, FUEL	1	1			1	1				
8	..	114350-55150	PIPE, GAUGE	1	1			1	1				
9	..	124722-59050	CLAMP 9	2	2			2	2				
10	..	23414-120000	GASKET 12, ROUND	1	1			1	1				
11	..	23887-120002	PLUG 12,HEX.	1	1			1	1				
12	..	114250-55201	DAMPER, FUEL TANK	4	4			4	4				
13	.	114350-55120	FILTER, FUEL OIL	1	1			1	1				
14	.	114250-55130	GASKET	1	1			1	1				
15	.	114250-55211	STAY (A)	1	1			1	1				
16	.	114350-55231	STAY (B)	1	1			1	1				
17	.	114250-55300	COCK ASSY, FUEL	1	1			1	1				
18	.	24341-000150	O-RING 1A S-15.0	1	1			1	1				
19	.	114252-55800	NUT	1	1			1	1				
20	.	114650-55810	BOLT, LIFTING	1	1			1	1				
21	.	22117-060000	WASHER 6	1	1			1	1				
22	.	22117-080000	WASHER 8	1	1			1	1				
23	.	26106-080452	BOLT M 8X 45 PLATED	1	1			1	1				
24	.	26366-060002	NUT M 6	1	1			1	1				
25	.	26476-060142	BOLT M 6X 14, TAPPING	2	2			2	2				
26	.	106990-44660	BAND, HOSE	2	2			2	2				
27	.	124722-59050	CLAMP 9	2	2			2	2				
28	.	114360-59060	PIPE, FUEL OIL	1	1			1	1				
29	.	114250-59060	PIPE, FUEL RETURN	1	1			1	1				
30	.	114350-59800	PIPE, FUEL INJECTION	1	1			1	1				

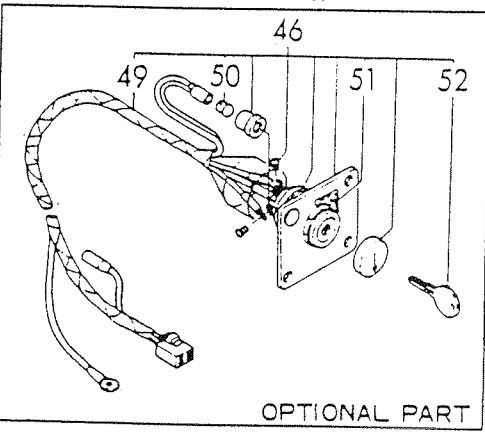
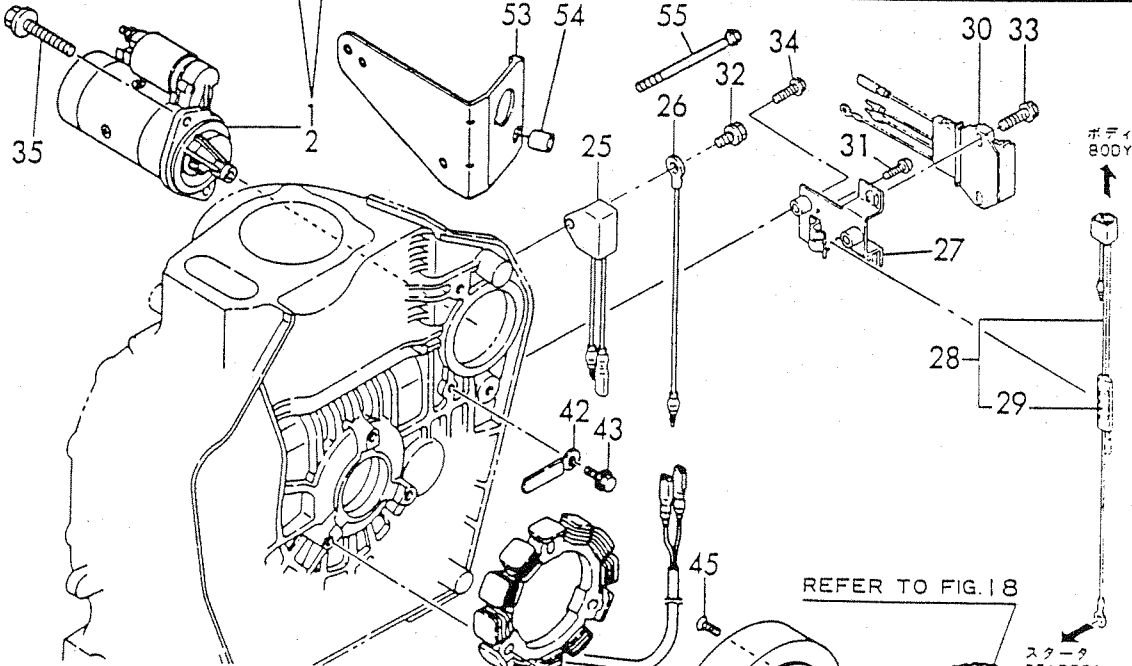
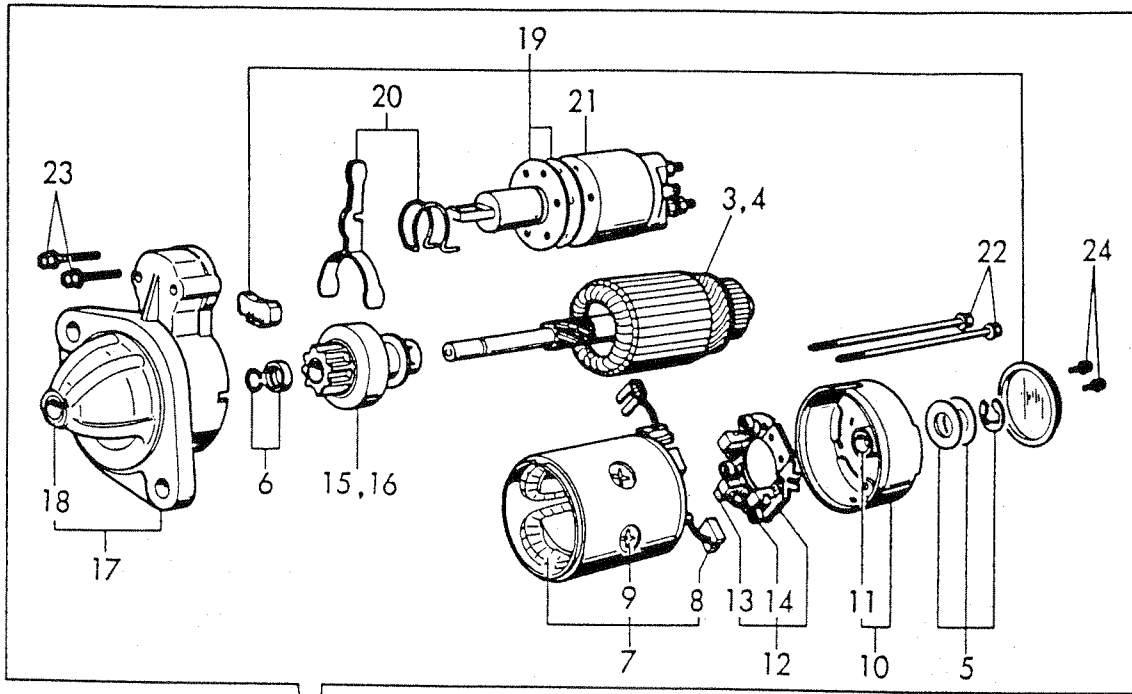
SPEC. CODE

D14353-78310D14351-77100

D14362-77100D14351-78300

D14654-77400D14353-77110

Fig. 26 STARTING MOTOR & DYNAMO



+-----+
 I 1D14 I
 I(1D02)I
 +-----+
 YOOR3981

(26) STARTING MOTOR & DYNAMO

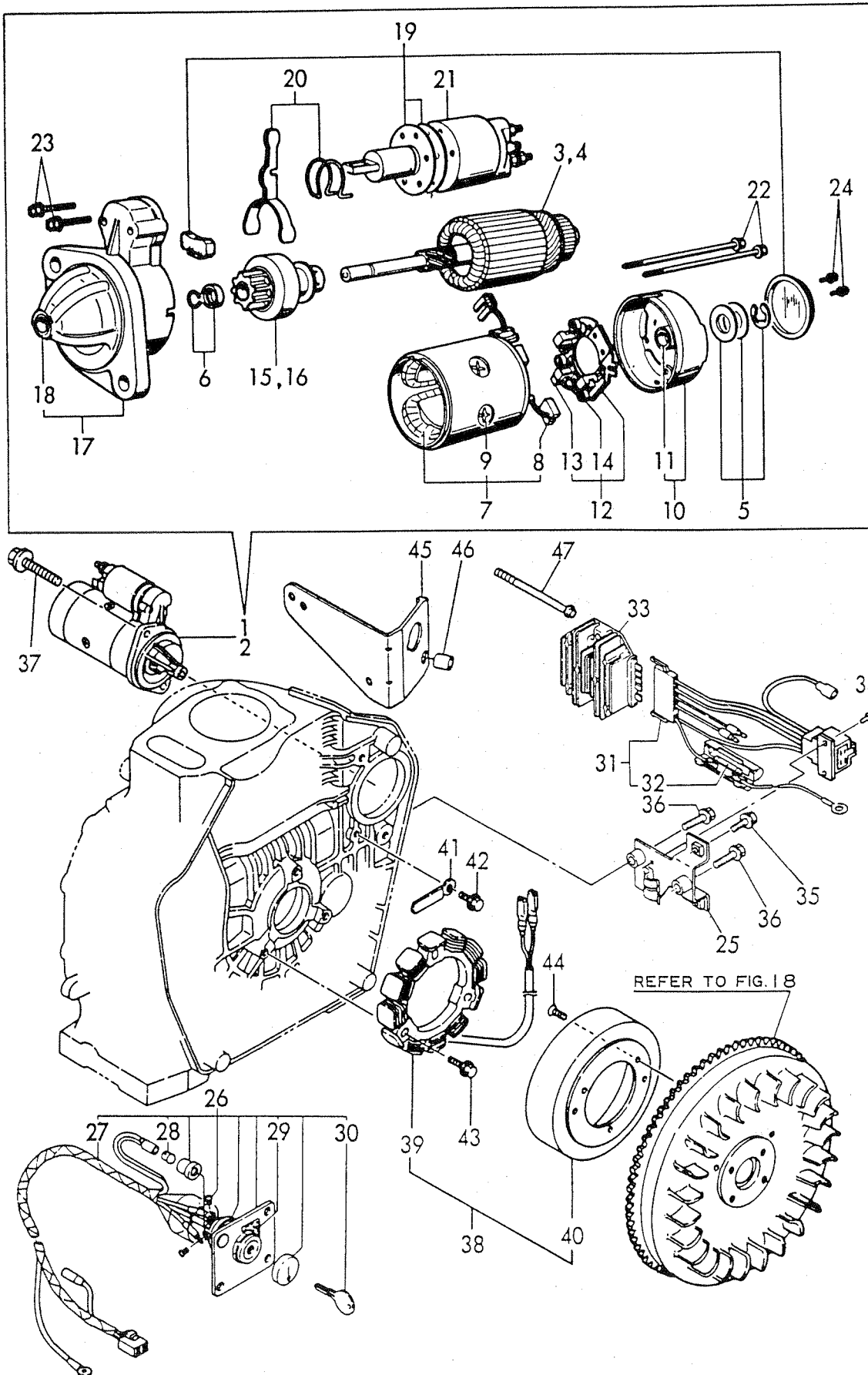
(A)= (D)=
 (B)=L60AE-DE (E)=L60AE-SE
 (C)=L70AE-DE (F)=L70AE-SE

REF. NO.	LEV. 0	PART NO.	DESCRIPTION	-----Q'TY-----						I	P	U	A	R
				(A)	(B)	(C)	(D)	(E)	(F)					
1	.	114362-77010	STARTER (S114-414A)	1	1									
2	.	114351-77010	STARTER (S114-413A)					1	1					
3	..	X211461104	ARMATURE	1	1									
4	..	X211461008	ARMATURE					1	1					
5	..	X21148110	WASHER SET, THRUST	1	1			1	1					
6	..	X21147155	STOPPER SET, PINION	1	1			1	1					
7	..	X211412105	COIL ASSY, FIELD	1	1			1	1					
8	...	X21145312	BRUSH (+)	2	2			2	2					
9	...	X21143215	SCREW, CORE	4	4			4	4					
10	..	X211473002	COVER, REAR	1	1			1	1					
11	...	X21145352	METAL	1	1			1	1					
12	..	X211489001	HOLDER ASSY, BRUSH	1	1			1	1					
13	...	X21148313	BRUSH (-)	1	1			1	1					
14	...	X21149314	SPRING, BRUSH	3	3			3	3					
15	..	X211445508	PINION ASSY	1	1									
16	..	X211445504	PINION ASSY					1	1					
17	..	X211416603	HOUSING ASSY, GEAR	1	1			1	1					
18	...	X21145352	METAL	1	1			1	1					
19	..	X211478006	COVER KIT, DUST	1	1			1	1					
20	..	X211456013	LEVER KIT, SHIFT	1	1			1	1					
21	..	X211427501	SWITCH, MAGNETIC	1	1			1	1					
22	..	X211468005	BOLT, THROUGH	2	2			2	2					
23	..	X21145867	BOLT 6	2	2			2	2					
24	..	X21142835	SCREW SET	1	1			1	1					
25	.	160970-77350	RECTIFIER	1	1			1	1					
26	.	183350-77400	WIRE, LEAD	1	1			1	1					
27	.	114253-77410	BRACKET					1	1					(Y)
I 27- 1	.	114385-77400	BRACKET					1	1	R				
28	.	114253-77491	HARNESS, WIRE			(E=X)	1	1					(Y)
29	..	29411-150000	FUSE (15A), CARTRIDGE					2	2					(Y)
30	.	114253-77520	REGULATOR					1	1					(Y)
31	.	26023-040102	SCREW M 4X 10	2	2			2	2					
32	.	26106-060122	BOLT M 6X 12 PLATED	1	1			1	1					
33	.	26106-060202	BOLT M 6X 20 PLATED					2	2					(Y)
34	.	26106-060252	BOLT M 6X 25 PLATED					2	2					(Y)
I 34- 1	.	26106-060122	BOLT M 6X 12 PLATED			(E=X)	2	2	N				
35	.	26106-100302	BOLT M10X 30 PLATED	2	2			2	2					
36	.	114351-78250	DYNAMO ASSY	1	1			1	1					
37	..	114351-78750	STATOR ASSY	1	1			1	1					
38	..	114351-78760	WHEEL, DYNAMO	1	1			1	1					
39	.	114351-78260	DYNAMO ASSY (12V-3A)					1	1					(Y)
40	..	114351-78770	STATOR ASSY, (132.1MM					1	1					(Y)
41	..	114351-78780	WHEEL (STATOR132.1MM					1	1					(Y)
42	.	160710-78710	CLAMP, CORD	1	1			1	1					
43	.	26476-060142	BOLT M 6X 14, TAPPING	1	1			1	1					
44	.	26476-060202	BOLT M 6X 20, TAPPING	3	3			3	3					
45	.	26577-060142	SCREW M 6X 14	3	3			3	3					
46	.	114351-77500	PANEL ASSY, KEYSWITCH	1	1			1	1					(H)
49	..	114351-77700	HARNESS, WIRE	1	1			1	1					(H)
50	...	29220-083200	BULB (12V/3.4W)	1	1			1	1					(H)
51	..	105198-07120	LABEL, STARTER	1	1			1	1					(H)
52	..	106100-77630	KEY, STARTER	1	1			1	1					(H)
53	.	114351-77620	BRACKET, ST. SWITCH	1	1			1	1					(H)
54	.	114351-77630	WASHER	2	2			2	2					(H)
55	.	26106-060702	BOLT M 6X 70 PLATED	2	2			2	2					(H)

REMARKS -----+-----
 (Y) FOR L60AE-SEF, L70AE-SEF. (H) OPTIONAL PARTS. Y052302

SPEC. CODE
D14361-77110
D14654-77140
D14353-78310

Fig. 27 STARTING MOTOR & DYNAMO



+-----+
 I 1016 I
 I(1002)I
 +-----+
 YOOR3981

(27) STARTING MOTOR & DYNAMO

91.07.02

(A)= (D)=
 (B)=L60AE-DETM (E)=L60AE-SETM
 (C)=L70AE-DETM (F)=L70AE-SETM

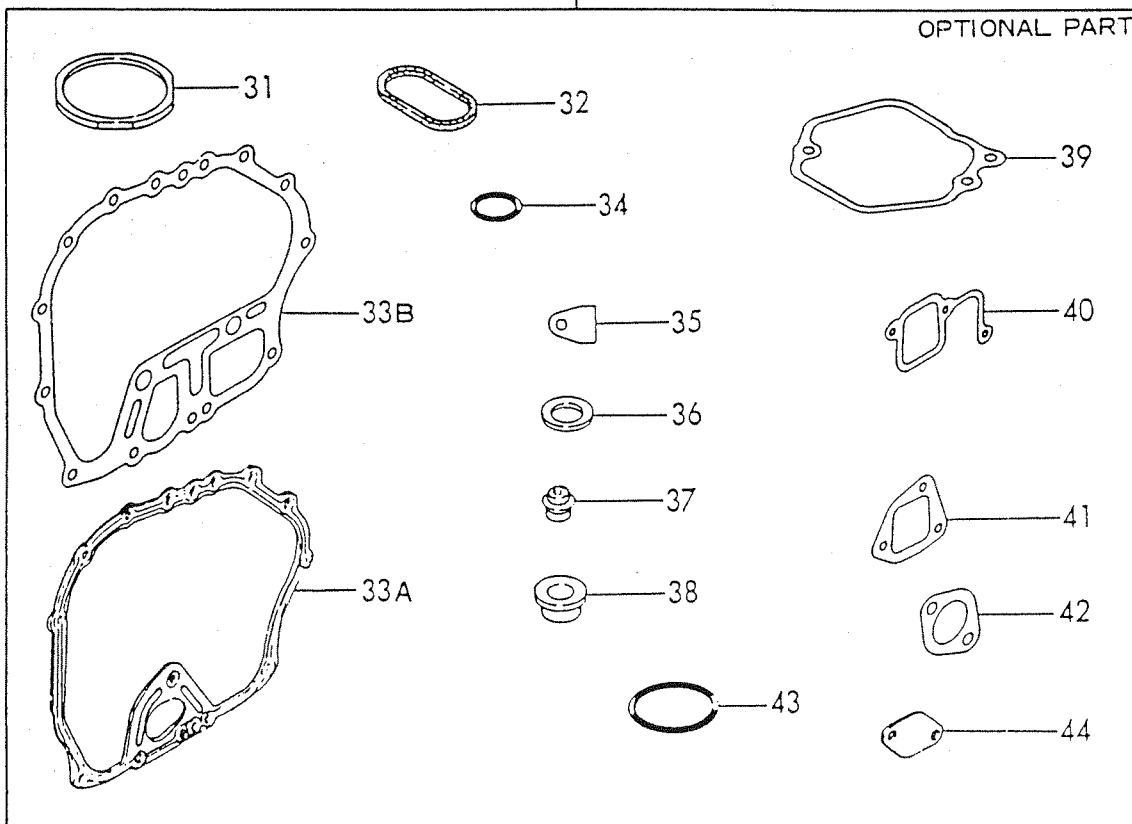
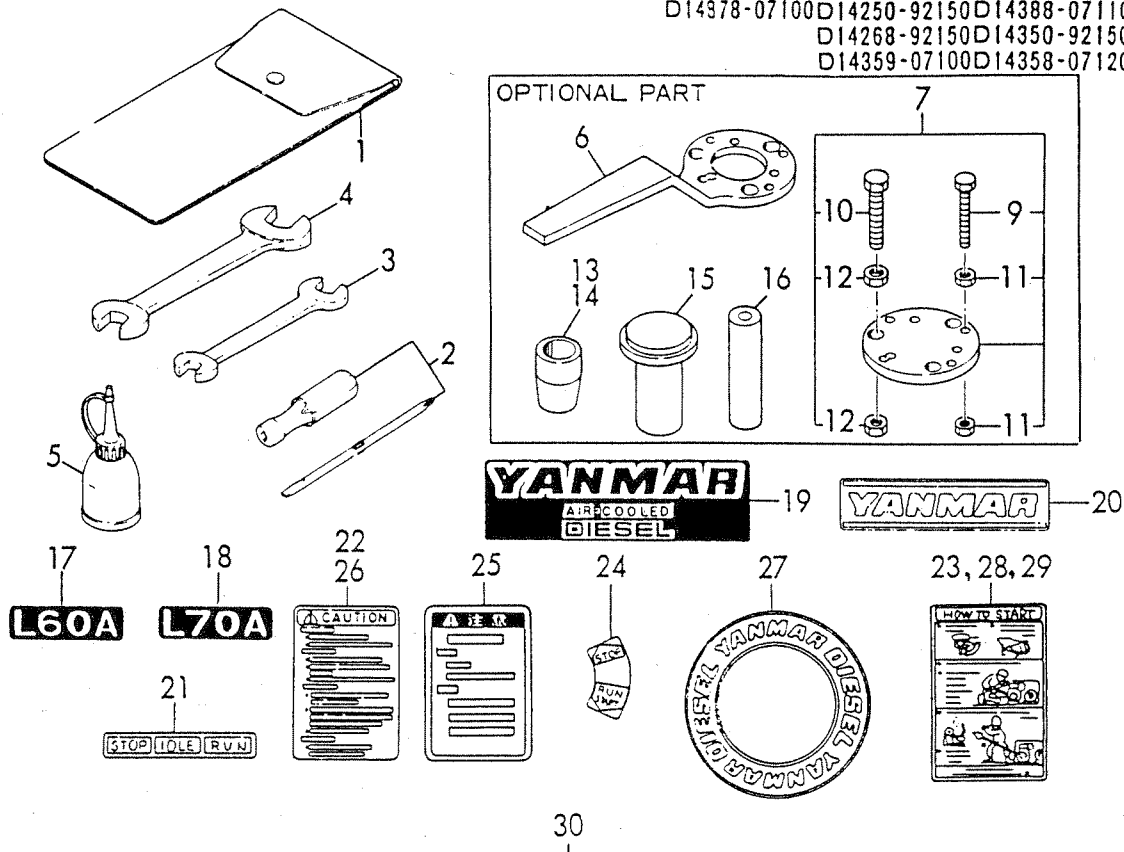
REF. NO.	LEV. 0	PART NO.	DESCRIPTION	-----Q'TY-----						I	P	U	A	R
				(A)	(B)	(C)	(D)	(E)	(F)					
1	.	114362-77010	STARTER (S114-414A)	1	1									
2	.	114351-77010	STARTER (S114-413A					1	1					
3	..	X211461104	ARMATURE	1	1									
4	..	X211461008	ARMATURE					1	1					
5	..	X21148110	WASHER SET, THRUST	1	1			1	1					
6	..	X21147155	STOPPER SET, PINION	1	1			1	1					
7	..	X211412105	COIL ASSY, FIELD	1	1			1	1					
8	...	X21145312	BRUSH (+)	2	2			2	2					
9	...	X21143215	SCREW, CORE	4	4			4	4					
10	..	X211473002	COVER, REAR	1	1			1	1					
11	...	X21145352	METAL	1	1			1	1					
12	..	X211489001	HOLDER ASSY, BRUSH	1	1			1	1					
13	...	X21148313	BRUSH (-)	1	1			1	1					
14	...	X21149314	SPRING, BRUSH	3	3			3	3					
15	..	X211445508	PINION ASSY	1	1									
16	..	X211445504	PINION ASSY					1	1					
17	..	X211416603	HOUSING ASSY, GEAR	1	1			1	1					
18	...	X21145352	METAL	1	1			1	1					
19	..	X211478006	COVER KIT, DUST	1	1			1	1					
20	..	X211456013	LEVER KIT, SHIFT	1	1			1	1					
21	..	X211427501	SWITCH, MAGNETIC	1	1			1	1					
22	..	X211468005	BOLT, THROUGH	2	2			2	2					
23	..	X21145867	BOLT 6	2	2			2	2					
24	..	X21142835	SCREW SET	1	1			1	1					
25	.	114253-77410	BRACKET	1	1			1	1					
I 25- 1	.	114385-77400	BRACKET	1	1			1	1			R		
								(E=X)					
26	.	114351-77500	PANEL ASSY,KEYSWITCH	1	1			1	1					
27	..	114351-77700	HARNESS, WIRE	1	1			1	1					
28	...	29220-083200	BULB (12V/3.4W)	1	1			1	1					
29	..	105198-07120	LABEL, STARTER	1	1			1	1					
30	..	106100-77630	KEY, STARTER	1	1			1	1					
31	.	114351-77540	HARNESS, WIRE	1	1			1	1					
32	..	29411-150000	FUSE (15A),CARTRIDGE	2	2			2	2					
33	.	119660-77710	CURRENT LIMITER	1	1			1	1					
34	.	26023-040102	SCREW M 4X 10	2	2			2	2					
35	.	26106-060202	BOLT M 6X 20 PLATED	2	2			2	2					
36	.	26106-060252	BOLT M 6X 25 PLATED	2	2			2	2					
I 36- 1	.	26106-060122	BOLT M 6X 12 PLATED	2	2			2	2			N		
								(E=X)					
37	.	26106-100302	BOLT M10X 30 PLATED	2	2			2	2					
38	.	114351-78260	DYNAMO ASSY (12V-3A)	1	1			1	1					
39	..	114351-78770	STATOR ASSY, (132.1MM	1	1			1	1					
40	..	114351-78780	WHEEL (STATOR132.1MM	1	1			1	1					
41	.	160710-78710	CLAMP, CORD	1	1			1	1					
42	.	26476-060142	BOLT M 6X 14, TAPPING	1	1			1	1					
43	.	26476-060202	BOLT M 6X 20, TAPPING	3	3			3	3					
44	.	26577-060142	SCREW M 6X 14	3	3			3	3					
45	.	114351-77620	BRACKET, ST.SWITCH	1				1				(H)		
46	.	114351-77630	WASHER	2				2				(H)		
47	.	26106-060702	BOLT M 6X 70 PLATED	2				2				(H)		

----- REMARKS -----+-----

I (H) OPTIONAL PARTS

Fig. **28** TOOL, LABEL & GASKET SET

SPEC. CODE
 D14368-92150 D14368-07100 D14278-07110
 D14278-07100 D14368-07120 D14288-07100
 D14350-92150 D14368-07140 D14288-07110
 D14354-07100 D14368-92150 D14378-07100
 D14354-07110 D14369-07110 D14378-07110
 D14358-07100 D14250-92100 D14388-07100
 D14378-07100 D14250-92150 D14388-07110
 D14268-92150 D14350-92150
 D14359-07100 D14358-07120



+-----+
 I 1E01 I
 I (1002) I
 +-----+
 Y00R3981

(28) TOOLS / LABELS & GASKET SET

(A)= (D)=
 (B)=L60AE-D/DE (E)=L60AE-S/SE
 (C)=L70AE-D/DE (F)=L70AE-S/SE

REF. NO.	LEV. 0	PART NO.	DESCRIPTION	-----Q'TY-----						I	P	U	A	R
				(A)	(B)	(C)	(D)	(E)	(F)					
1	.	114250-92600	BAG, TOOL	1	1			1	1					
2	.	160330-92730	SCREWDRIVER	1	1			1	1					
3	.	28110-100120	WRENCH 10X12	1	1			1	1					
4	.	28110-140170	WRENCH 14X17	1	1			1	1					
5	.	28210-000150	FEEDER, OIL	1	1			1	1					
6	.	114250-92101	F.W. LOCKING HANDLE	1	1			1	1				(Y)	
7	.	114250-92130	REMOVER, FLYWHEEL	1	1			1	1				(Y)	
9	..	26116-060454	BOLT M 6X 45 PLATED	4	4			4	4				(Y)	
10	..	26116-080454	BOLT M 8X 45 PLATED	3	3			3	3				(Y)	
11	..	26716-060002	NUT M 6	8	8			8	8				(Y)	
12	..	26716-080002	NUT M 8	6	6			6	6				(Y)	
13	.	114368-92300	GUIDE, OIL SEAL	1	1								(Y)	
14	.	114350-92301	GUIDE, OIL SEAL					1	1				(Y)	
15	.	114350-92311	INSTALLING TOOL	1	1			1	1				(Y)	
16	.	114350-92350	INSTALLING TOOL	1	1			1	1				(Y)	
17A	.	114370-07050	LABEL (L60A)	1				1						
17B	.	114870-07050	LABEL			1				1				
19	.	114250-07090	LABEL, AIR COOLED	1	1			1	1					
20	.	114250-07110	LABEL, YANMAR	1	1			1	1					
21	.	183250-07230	LABEL, OPERATION	1	1			1	1					
22	.	114268-07240	LABEL, CAUTION	1	1			1	1					
23	.	114250-07250	LABEL, HOW TO START	1	1			1	1					
24	.	114250-07260	LABEL, OPERATION	1	1			1	1					
25	.	114268-07260	LABEL, CAUTION	1	1			1	1					
26	.	114268-07280	LABEL, PRECAUTION	1	1									
27	.	114250-07350	LABEL, YANMAR DIESEL	1	1			1	1					
28	.	114268-07350	LABEL, HOW TO START	1	1			1	1					
29	.	114268-07360	LABEL, HOW TO START (F	1	1									
30A	.	714370-92600	GASKET SET	1				1						
30B	.	714870-92600	GASKET SET			1				1				
31A	..	114350-01340	GASKET, CYL. HEAD	1				1						
31B	..	114870-01340	GASKET, CYL. HEAD			1				1				
32	..	114350-01380	O-RING	1	1			1	1					
33A	..	114350-01411	GASKET, CRANK CASE	1	1			1	1					
33B	..	114350-01412	GASKET, CRANK CASE	1	1			1	1					
34	..	24311-000180	O-RING 1A P-18.0	2	2			2	2					
35	..	114250-01840	GASKET	1	1			1	1					
36	..	43400-500490	SEAL WASHER 16	2	2			2	2					
37	..	114350-11340	SEAL, VALVE STEM	2	2			2	2					
38	..	114250-11460	GASKET, NOZZLE	1	1			1	1					
39	..	114250-11310	GASKET, BONNET	1	1			1	1					
41A	..	114350-12200	GASKET, AIR INTAKE	1	1			1	1					
41B	..	114350-12201	GASKET, AIR INTAKE	1	1			1	1					
42A	..	114250-12210	GASKET, AIR CLEANER	1	1			1	1					
42C	..	114352-12210	GASKET, AIR CLEANER	1	1			1	1					
43	..	114250-13200	GASKET, MUFFLER	1	1			1	1					
44	..	103338-32570	O-RING	1	1			1	1					
45	..	114250-35270	GASKET, L.O. STRAINER	1	1			1	1					

----- REMARKS -----

Y) OPTIONAL PARTS

CONTENTS

<NOTES>

ABOVE-STATED O, Δ, x, MARK SHOWS APPLICABLE MODELS

O---MEANS COMMON

Δ---MEANS EXCLUSIVE USE FOR DTM/STM

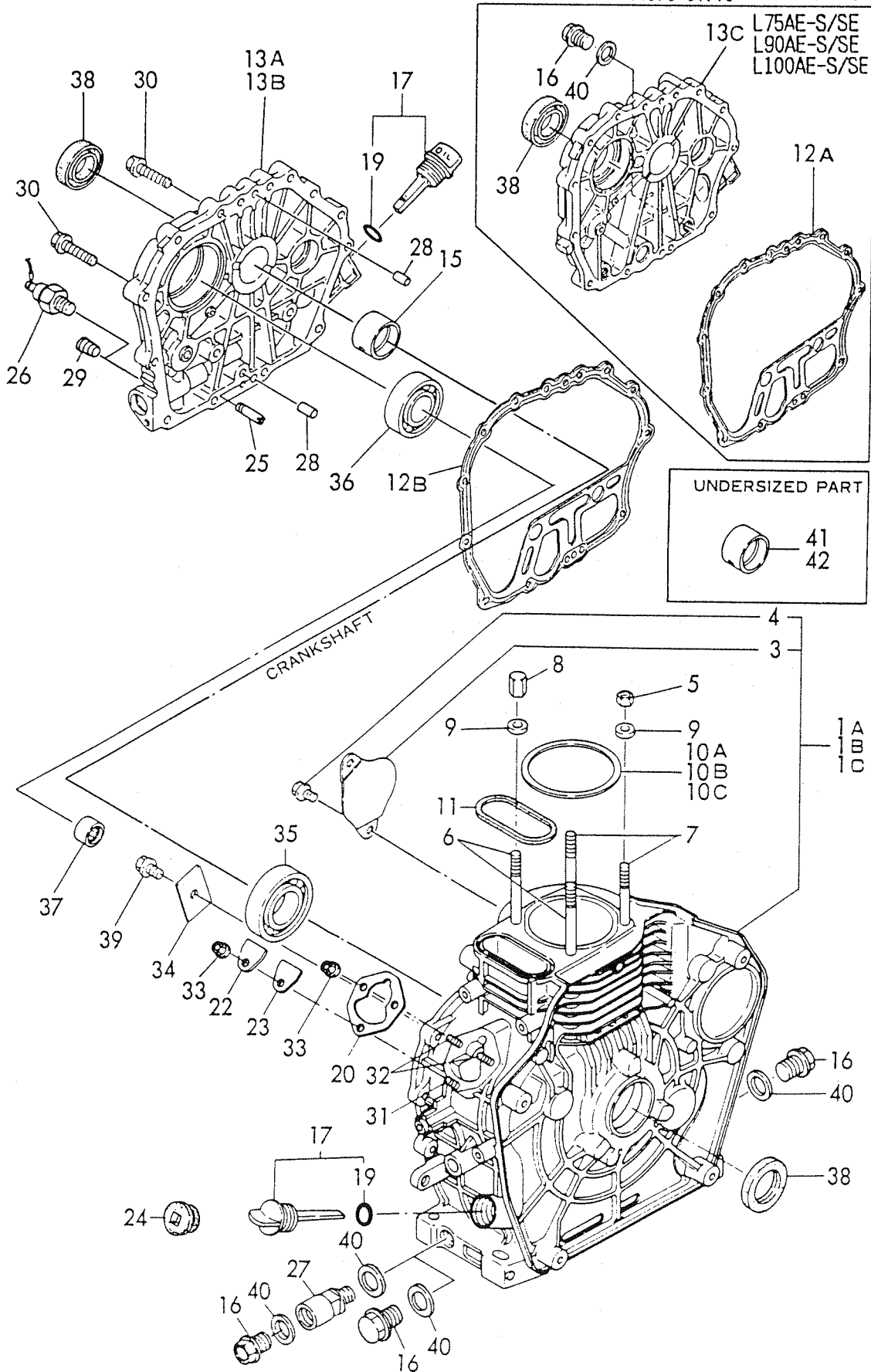
x---MEANS EXCEPT -DTM/-STM

SECTION 3 (L75AE/L90AE/L100AE)

GROUP NO.	GROUP NAME	D/DF/DP/DV	DTM	S/SF	STM
29	CYLINDER BLOCK	O	O	O	O
30	CYLINDER HEAD & BONNET	O	O	O	O
31	AIR CLEANER & MUFFLER	O	O	O	O
32	CAM/CRANK/BARANCER SHAFT & PISTON/ROD	O	O	O	O
33	L. O. DEVICE & GOVERNOR CONTROL	O	O	O	O
34	COOLING & RECOIL STARTER	O	O	O	O
35	FUEL INJECTION PUMP & VALVE	x		x	
36	FUEL INJECTION PUMP & VALVE		Δ		Δ
37	FUEL TANK & FUEL PIPE	x		x	
38	FUEL TANK & FUEL PIPE		Δ		Δ
39	STARTING MOTOR & DYNAMO	x		x	
40	STARTING MOTOR & DYNAMO		Δ		Δ
41	TOOLS/LABELS & GASKET SET	O	O	O	O

Fig. **29** CYLINDER BLOCK

SPEC. CODE
 D14571-01100 D14670-01700
 D14671-01100 D14689-01700
 D14586-01500 D14470-01800
 D14670-01500 D14650-02100
 D14680-01500 D14280-39100
 D14370-01710 D14280-39110



+-----+
 I 1F03 I
 I(1F02)I
 +-----+
 YOOR3981

(29) CYLINDER BLOCK

(A)=L75AE-D/DE (D)=L75AE-S/SE
 (B)=L90AE-D/DE (E)=L90AE-S/SE
 (C)=L100AE-D/DE (F)=L100AE-S/SE

REF. NO.	LEV. 0	PART NO.	DESCRIPTION	-----Q'TY-----						I P/U A R
				(A)	(B)	(C)	(D)	(E)	(F)	
1A	.	714571-01560	BLOCK ASSY, CYLINDER	1			1			
1B	.	714671-01560	BLOCK ASSY, CYLINDER		1			1		
1C	.	714970-01560	BLOCK ASSY, CYLINDER			1				1
3	..	114350-01700	COVER, STARTER	1	1	1	1	1	1	
4	..	26106-100122	BOLT M10X 12 PLATED	2	2	2	2	2	2	
5	.	105025-01220	NUT 10	2	2	2	2	2	2	
6	.	114650-01230	STUD, CYL. HEAD	2	2	2	2	2	2	
7	.	114650-01240	STUD, CYL. HEAD	2	2	2	2	2	2	
8	.	114650-01250	NUT 10	2	2	2	2	2	2	
9	.	114650-01260	WASHER	4	4	4	4	4	4	
10A	.	114550-01340	GASKET, CYL. HEAD	1			1			
10B	.	114650-01340	GASKET, CYL. HEAD		1			1		
10C	.	114970-01340	GASKET, CYL. HEAD				1			1
11	.	114650-01380	O-RING	1	1	1	1	1	1	
12A	.	114650-01411	GASKET, CRANK CASE				1	1	1	
12B	.	114650-01412	GASKET, CRANK CASE	1	1	1				
13A	.	114660-01470	COVER (D), CRANK CASE	1	1	1				
13B	.	114554-01451	COVER (DP), CRANKCASE	1	1	1				(%)
13C	.	114650-01452	COVER (S), CRANK CASE				1	1	1	
15	..	114650-02100	BEARING, MAIN	1	1	1	1	1	1	
16	.	105425-01690	PLUG M16	2	2	2	2	2	2	
17	.	160910-01740	CAP, W/LUB.OIL GAUGE	2	2	2	2	2	2	
19	..	24311-000180	O-RING 1A P-18.0	2	2	2	2	2	2	
20	.	114250-01800	SHIM SET	1	1	1	1	1	1	
22	.	114250-01830	COVER, INSPEC.WINDOW	1	1	1	1	1	1	
23	.	114250-01840	GASKET	1	1	1	1	1	1	
24	.	160110-01870	PLUG, RUBBER W/SCREW	1	1	1	1	1	1	
25	.	114250-35150	PIPE, L.O. INLET	1	1	1				
26	.	183250-39450	SWITCH, OIL PRESSURE	1	1					(Y)
27	.	183279-08350	NIPLE		1					(H)
28	.	22312-080120	PARALLEL PIN 8X12	2	2	2	2	2	2	
29	.	23871-010000	PLUG PT1/8, SCREW	1	1	1	1	1	1	
30	.	26106-080352	BOLT M 8X 35 PLATED	16	16	16	16	16	16	
31	.	26226-060182	STUD M 6X 18 PLATED	1	1	1	1	1	1	
32	.	26226-060222	STUD M 6X 22 PLATED	2	2	2	2	2	2	
33	.	26366-060002	NUT M 6	3	3	3	3	3	3	
34	.	114250-02030	RETAINER, BEARING	1	1	1	1	1	1	
35	.	114650-02150	BALL BEARING	1	1	1	1	1	1	
36	.	24101-062070	BALL BEARING	1	1	1	1	1	1	
37	.	24162-152112	NEEDLE BEARING	1	1	1	1	1	1	
38	.	24423-355008	SEAL, OIL	2	2	2	2	2	2	
39	.	26106-080122	BOLT M 8X 12 PLATED	1	1	1	1	1	1	
40	.	43400-500490	SEAL WASHER 16	2	2	2	2	2	2	
41	.	114650-02200	MAIN BEARING US=0.25	1	1	1	1	1	1	(#)
42	.	114650-02210	MAIN BEARING US=0.50	1	1	1	1	1	1	(#)

----- REMARKS -----
 I(Y) FOR L75AE/90AE-DGMO/DEGMO
 I(H) FOR L90AE-DEPAC
 I(#) UNDERSIZED PARTS
 I(X) FOR L75AE/90AE/100AE-D(E)P

+-----+
 I 1F04 I
 I(1F02)I
 +-----+
 Y00R3981

(30) CYLINDER HEAD & BONNET

91.07.02

(A)=L75AE-D/DE (D)=L75AE-S/SE
 (B)=L90AE-D/DE (E)=L90AE-S/SE
 (C)=L100AE-D/DE (F)=L100AE-S/SE

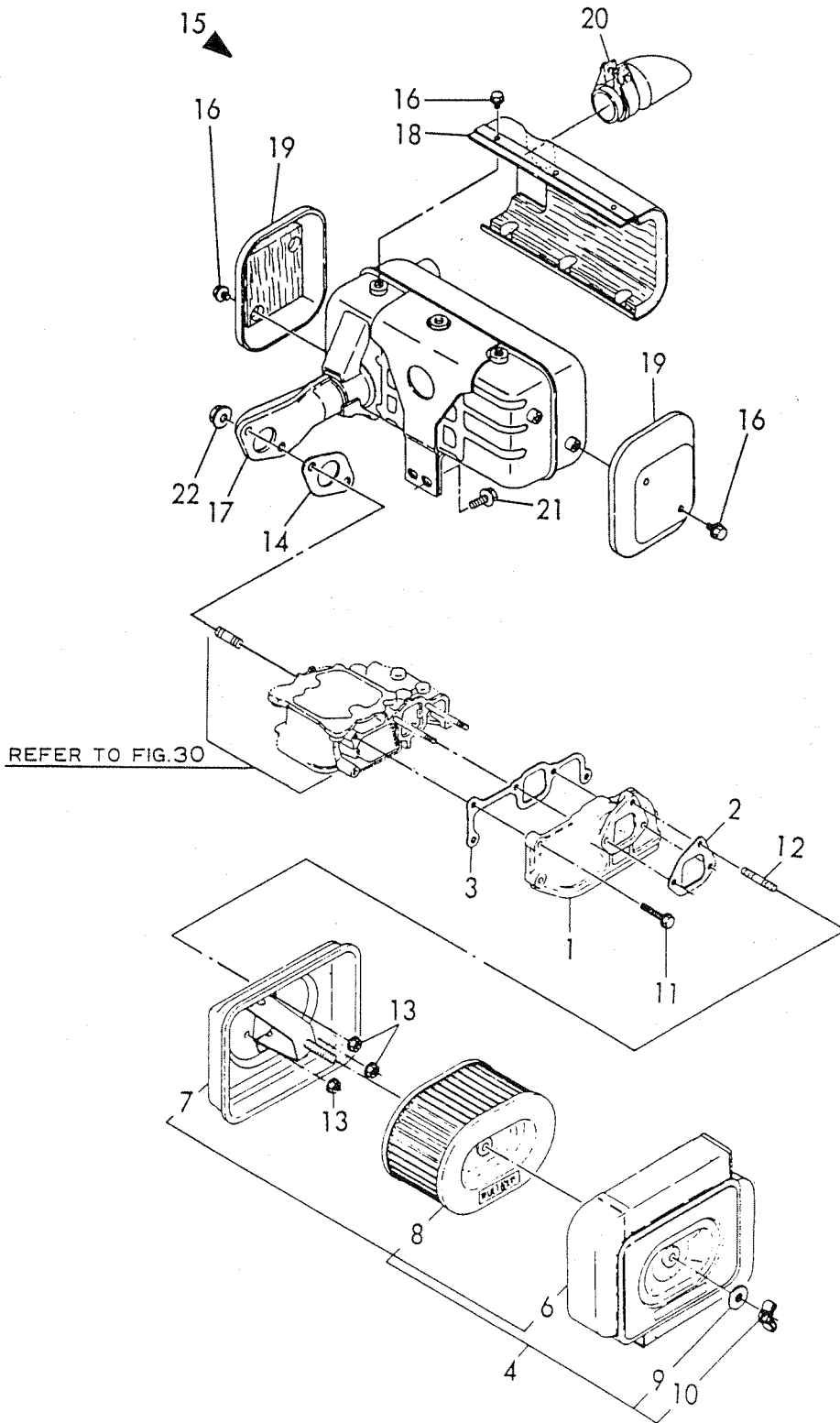
REF. NO.	LEV. 0	PART NO.	DESCRIPTION	-----Q'ITY-----						I P/U A R
				(A)	(B)	(C)	(D)	(E)	(F)	
1	.	114550-11010	HEAD ASSY, CYLINDER	1			1			
2	.	114650-11010	HEAD ASSY, CYLINDER		1	1		1	1	
6	.	114650-11100	VALVE, SUCTION	1	1	1	1	1	1	
7	.	114654-11110	VALVE, EXHAUST	1	1	1	1	1	1	
8	.	114650-11121	SPRING, VALVE	2	2	2	2	2	2	
9	.	119620-11180	RETAINER, SPRING	2	2	2	2	2	2	
10	.	27310-070001	COTTER 7	2	2	2	2	2	2	
12	.	114650-11261	SUPPORT, ROCKER ARM	1	1	1	1	1	1	
13	.	114650-11340	SEAL, VALVE STEM	2	2	2	2	2	2	
14	.	114250-11460	GASKET, NOZZLE	1	1	1	1	1	1	
15	.	114350-11470	SPACER, NOZZLE	1	1	1	1	1	1	
16	.	114650-11600	WASHER	2	2	2	2	2	2	
17	.	114650-11652	ARM ASSY, INTAKE	1	1	1	1	1	1	
18	..	114250-11240	SCREW, VALVE ADJUST.	1	1	1	1	1	1	
19	..	26756-060002	LOCK NUT M 6 PLATED	1	1	1	1	1	1	
20	.	714670-11660	ARM ASSY, EXHAUST	1	1	1	1	1	1	
21	...	114250-11240	SCREW, VALVE ADJUST.	1	1	1	1	1	1	
22	...	26756-060002	LOCK NUT M 6 PLATED	1	1	1	1	1	1	
23	..	104211-11370	CAP, VALVE	1	1	1	1	1	1	
24	.	104211-11370	CAP, VALVE	1	1	1	1	1	1	
25	.	114250-11900	RETAINER, NOZZLE	1	1	1	1	1	1	
26	.	22351-040008	SPRING PIN 4X 8	1	1	1	1	1	1	
27	.	26106-100552	BOLT M10X 55 PLATED	1	1	1	1	1	1	
28	.	26226-060502	STUD M 6X 50	2	2	2	2	2	2	
29	.	26226-060752	STUD M 6X 75	2	2	2	2	2	2	
30	.	26226-080202	STUD M 8X 20 PLATED	2	2	2	2	2	2	
31	.	26366-060002	NUT M 6	2	2	2	2	2	2	
32	.	114650-11310	GASKET, BONNET	1	1	1	1	1	1	
33	.	114650-11950	BONNET ASSY, HEAD	1	1	1	1	1	1	
I 33-1	.	114650-11951	BONNET ASSY, HEAD	1	1	1	1	1	1	N
	(A=X)								
34	..	114250-03591	SHAFT ASSY, DECOMP.	1	1	1	1	1	1	
36	..	114250-03640	SPRING	1	1	1	1	1	1	
37	..	22312-030160	PARALLEL PIN 3X16	1	1	1	1	1	1	
38	.	129100-61850	PLUG (12)	1	1	1				(Y)
39	.	26106-060702	BOLT M 6X 70 PLATED	2	2	2	2	2	2	

----- REMARKS -----

I (Y) FOR L75AE/90AE/100AE-D(E)P

Fig. **31** AIR CLEANER & MUFFLER

SPEC. CODE
D14650-12100
D14678-13100
D14685-13100



+-----+
 I 1F05 I
 I(1F02)I
 +-----+
 YOOR3981

(31) AIR CLEANER & MUFFLER

91.07.02

(A)=L75AE-D/DE (D)=L75AE-S/SE
 (B)=L90AE-D/DE (E)=L90AE-S/SE
 (C)=L100AE-D/DE (F)=L100AE-S/SE

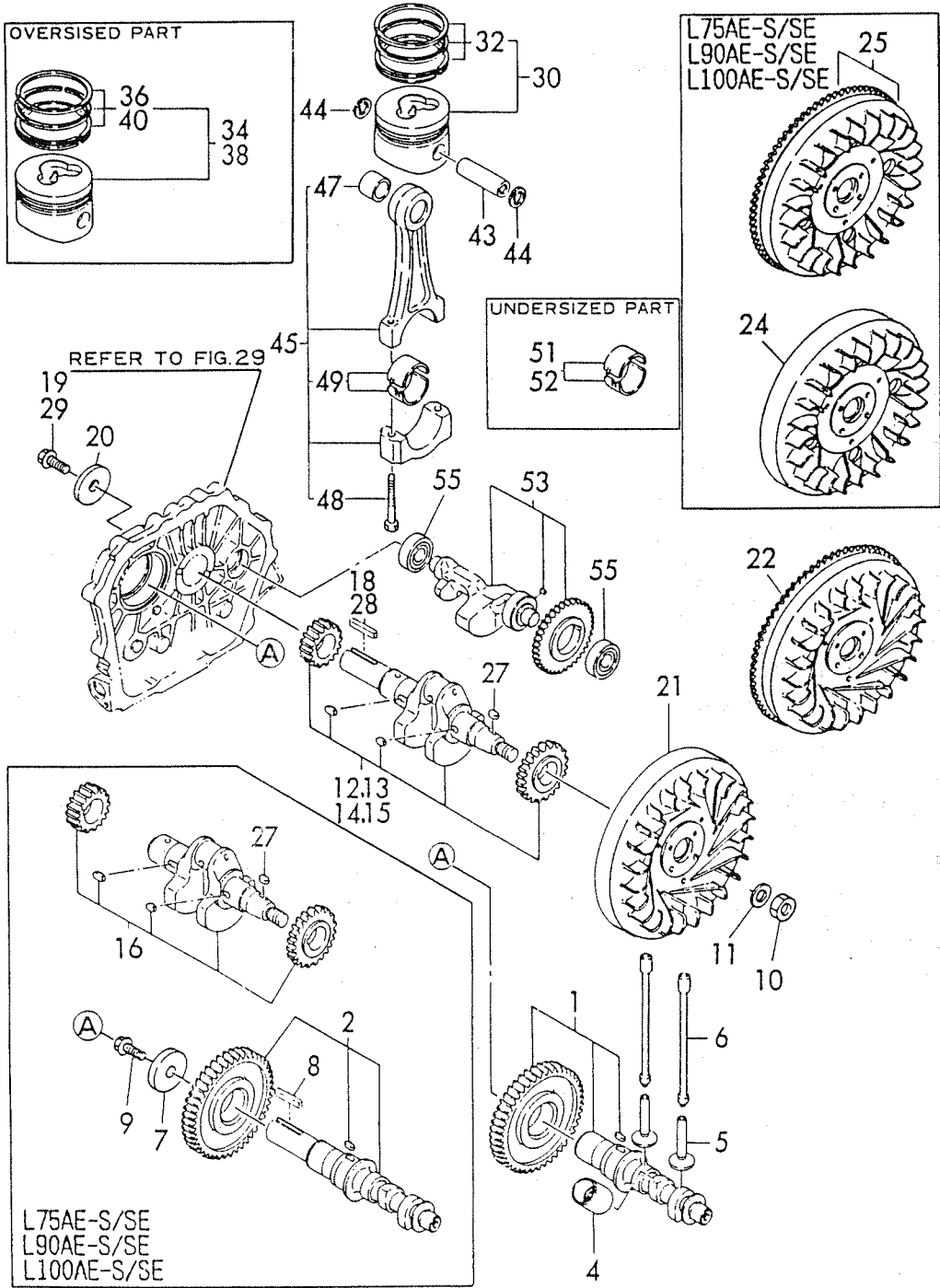
REF. NO.	LEV. 0	PART NO.	DESCRIPTION	-----Q'TY-----						I P/U A R
				(A)	(B)	(C)	(D)	(E)	(F)	
1	.	114650-12020	PIPE, AIR INTAKE	1	1	1	1	1	1	
2	.	114650-12210	GASKET, AIR CLEANER	1	1	1	1	1	1	
3	.	114650-12300	GASKET, AIR INTAKE	1	1	1	1	1	1	
4	.	714650-12560	CLEANER ASSY, AIR	1	1	1	1	1	1	
6	...	114650-12520	COVER, AIR CLEANER	1	1	1	1	1	1	
7	...	114650-12530	CASE, AIR CLEANER	1	1	1	1	1	1	
8	...	114650-12590	ELEMENT W/PRE-FILTER	1	1	1	1	1	1	
9	...	114252-12560	WASHER, SEAL	1	1	1	1	1	1	
10	..	114252-12550	WING NUT M8	1	1	1	1	1	1	
11	.	26106-060252	BOLT M 6X 25 PLATED	3	3	3	3	3	3	
12	.	26226-060142	STUD M 6X 14 PLATED	1	1	1	1	1	1	
13	.	26366-060002	NUT M 6	3	3	3	3	3	3	
14	.	114650-13200	GASKET, MUFFLER	1	1	1	1	1	1	
15	.	114970-13550	MUFFLER ASSY	1	1	1	1	1	1	
16	..	160260-01580	BOLT M 6X 6	10	10	10	10	10	10	
17	..	114970-13560	MUFFLER	1	1	1	1	1	1	
18	..	114970-13700	COVER(A), MUFFLER	1	1	1	1	1	1	
19	..	114970-13710	COVER, MUFFLER	2	2	2	2	2	2	
20	.	114658-13800	EXTENSION, EXH.	1	1	1	1	1	1	(#)
21	.	26106-080162	BOLT M 8X 16 PLATED	2	2	2	2	2	2	
22	.	26366-080002	NUT 8	2	2	2	2	2	2	

REMARKS -----+

I (#) L75AE/90AE/100AE-D(E)TM/S(E)TM
 I & L75AE/L90AE-D(E)GMO

Fig. **32** CRANKSHAFT, PISTON & CAMSHAFT

SPEC. CODED 14971-21100 D14689-21700
 D14970-14100 D14970-21500 D14550-22100
 D14980-14100 D14971-21500 D14560-22100
 D14586-21100 D14980-21500 D14650-22100
 D14688-21100 D14981-21500 D14660-22100
 D14688-21110 D14388-21700 D14650-23100
 D14689-21100 D14680-21700 D14970-28100
 D14980-22100 D14970-22100



L75AE-D/L90AE-D/L100AE-D
 CRANK SHAFT

Ref. No.	MAGNIFIED AXIAL END	S C R E W S I Z E	K E Y S I Z E	Ref. No.	MAGNIFIED AXIAL END	S C R E W S I Z E
12		5/16-24UNF	6.3x50	14		5/16-24UNF
13		M8x1.25	7x14	15		1"-14UNF

+-----+
 I 1F06 I
 I (1F02) I
 +-----+
 YOOR3981

(32) CAM/CRANK SHAFT & PISTON/ROD

91.07.02

(A)=L75AE-D/DE (D)=L75AE-S/SE
 (B)=L90AE-D/DE (E)=L90AE-S/SE
 (C)=L100AE-D/DE (F)=L100AE-S/SE

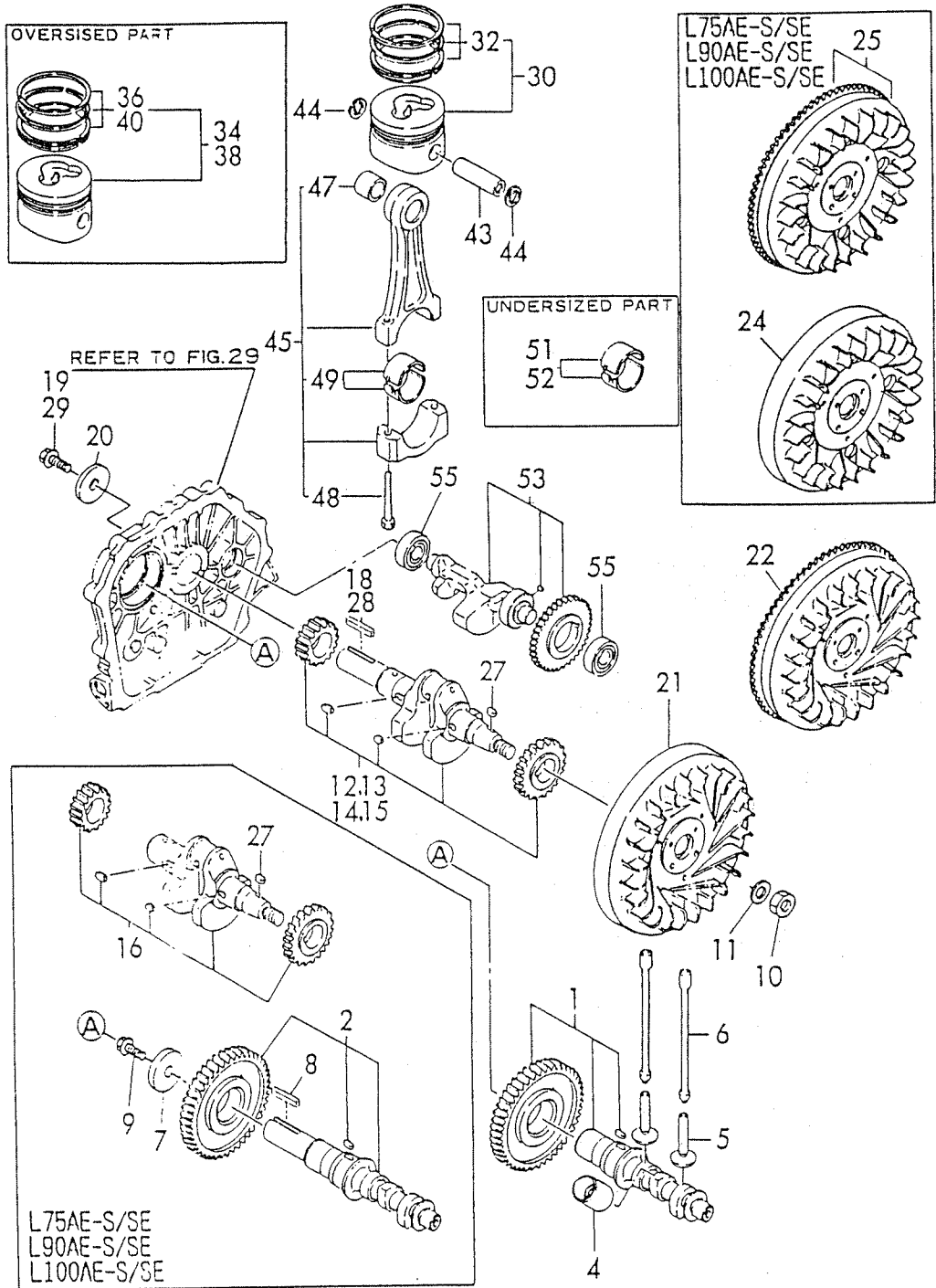
REF. NO.	LEV. 0	PART NO.	DESCRIPTION	-----Q'TY-----						I P/U A R
				(A)	(B)	(C)	(D)	(E)	(F)	
1	.	714689-14580	CAMSHAFT(D) ASSY.	1	1	1				
2	.	714679-14580	CAMSHAFT(S) ASSY.				1	1	1	
4	.	114650-14200	TAPPET, SUC./EXH.	2	2	2	2	2	2	
5	.	114250-14260	TAPPET, FUEL	1	1	1	1	1	1	
6	.	114650-14401	ROD, PUSH	2	2	2	2	2	2	
7	.	145610-83880	RETAINER				1	1	1	
8	.	22512-070360	KEY 7X 36				1	1	1	
9	.	26106-100252	BOLT M10X 25 PLATED				1	1	1	
10	.	122710-01220	NUT (M18	1	1	1	1	1	1	
11	.	114650-21551	WASHER, FLYWHEEL	1	1	1	1	1	1	
12	.	714689-21700	CRANKSHAFT ASSY(D/DE	1	1	1				(T)
13	.	714689-21720	CRANKSHAFT ASY(EDPAC		1					(H)
14	.	714689-21730	CRANKSHAFT ASY (DGMO	1	1					(Y)
15	.	714689-21760	CRANKSHAFT ASSY. (DP	1	1	1				(#)
16	.	714679-21710	CRANKSHAFT ASSY(S/SE				1	1	1	
18	.	160842-21150	KEY 6.3X50	1	1	1				
19	.	160842-21250	BOLT 7/16-20UNF	1	1	1				
20	.	160842-21260	WASHER	1	1	1				
21	.	114660-21401	FLYWHEEL (D)	1	1	1				
22	.	114662-21592	FLYWHEEL(DE) W/GEAR	1	1	1				
24	.	114650-21401	FLYWHEEL (S)				1	1	1	
25	.	114651-21592	FLYWHEEL(SE), W/GEAR				1	1	1	
27	.	22512-050140	KEY 5X 14	1	1	1	1	1	1	
28	.	22512-070140	KEY 7X 14		1	1				(H)
29	.	26106-080202	BOLT M 8X 20 PLATED		1	1				(H)
30A	.	714560-22723	PISTON W/RINGS	1						
30B	.	714660-22723	PISTON W/RINGS		1					
30C	.	714980-22720	PISTON W/RINGS			1				
30D	.	714550-22723	PISTON W/RINGS				1			
30E	.	714650-22723	PISTON W/RINGS					1		
30F	.	714970-22720	PISTON W/RING						1	
32A	..	714550-22502	RING SET, PISTON	1			1			
32B	..	714650-22502	RING SET, PISTON		1			1		
32C	..	714970-22500	RING SET, PISTON			1			1	
34A	.	714560-22624	PISTON W/RING(OSO.25	1						(X)
34B	.	714660-22624	PISTON W/RING(OS=.25		1					(X)
34C	.	714980-22620	PISTON W/RING(OSO.25			1				(X)
34D	.	714550-22624	PISTON W/RING(OSO.25				1			(X)
34E	.	714650-22624	PISTON W/RING(OSO.25					1		(X)
34F	.	714970-22620	PISTON W/RING(OSO.25						1	(X)
36A	..	714550-22542	RING SET O.S=0.25	1			1			(X)
36B	..	714650-22542	RING SET O.S=0.25		1			1		(X)
36C	..	714970-22540	RING SET (O.S 0.25)			1			1	(X)
38A	.	714560-22580	PISTON W/RING(OSO.50	1						(X)
38B	.	714660-22580	PISTON W/RING(OS=0.5		1					(X)
38C	.	714980-22580	PISTON W/RINGS .500S			1				(X)
38D	.	714550-22580	PISTON W/RINGS .500S				1			(X)
38E	.	714650-22580	PISTON W/RING(OSO.50					1		(X)
38F	.	714970-22580	PISTON W/RINGS .500S						1	(X)
40A	..	714550-22550	RING SET O.S=0.50	1			1			(X)
40B	..	714650-22550	RING SET O.S=0.50		1			1		(X)
40C	..	714970-22550	RING SET O.S=0.5			1			1	(X)
43	.	114650-22300	PIN, PISTON	1	1	1	1	1	1	
44	.	129792-22400	CIRCLIP 23	2	2	2	2	2	2	

** CONTINUE **

Y050537

SPEC. CODED14971-21100 D14689-21700
 D14970-14100 D14970-21500 D14550-22100
 D14980-14100 D14971-21500 D14560-22100
 D14586-21100 D14980-21500 D14650-22100
 D14688-21100 D14981-21500 D14660-22100
 D14688-21110 D14388-21700 D14650-23100
 D14689-21100 D14680-21700 D14970-28100
 D14980-22100 D14970-22100

Fig. 32 CRANKSHAFT, PISTON & CAMSHAFT



L75AE-D/L90AE-D/L100AE-D
 CRANK SHAFT

Ref. No.	MAGNIFIED AXIAL END	SCREW SIZE	KEY SIZE	Ref. No.	MAGNIFIED AXIAL END	SCREW SIZE
12		5/16-24UNF	6.3x50	14		5/16-24UNF
13		M8x1.25	7x14	15		1"-14UNF

+-----+
 I 1F07 I
 I (1F02) I
 +-----+
 YOOR3981

(32) CAM/CRANK SHAFT & PISTON/ROD

91.07.02

(A)=L75AE-D/DE (D)=L75AE-S/SE
 (B)=L90AE-D/DE (E)=L90AE-S/SE
 (C)=L100AE-D/DE (F)=L100AE-S/SE

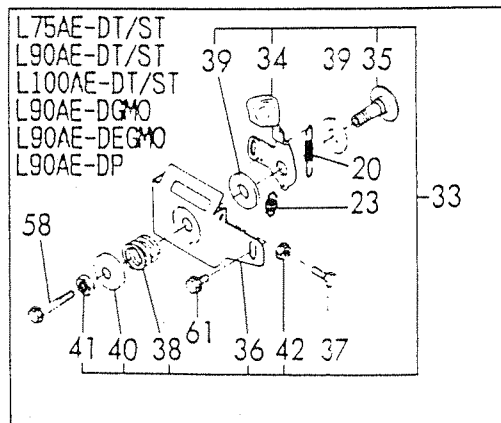
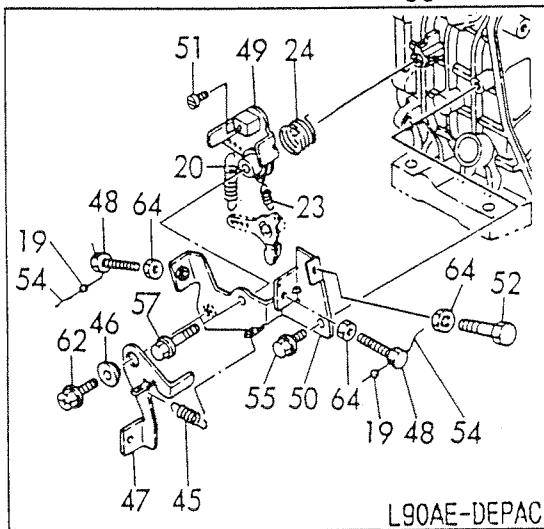
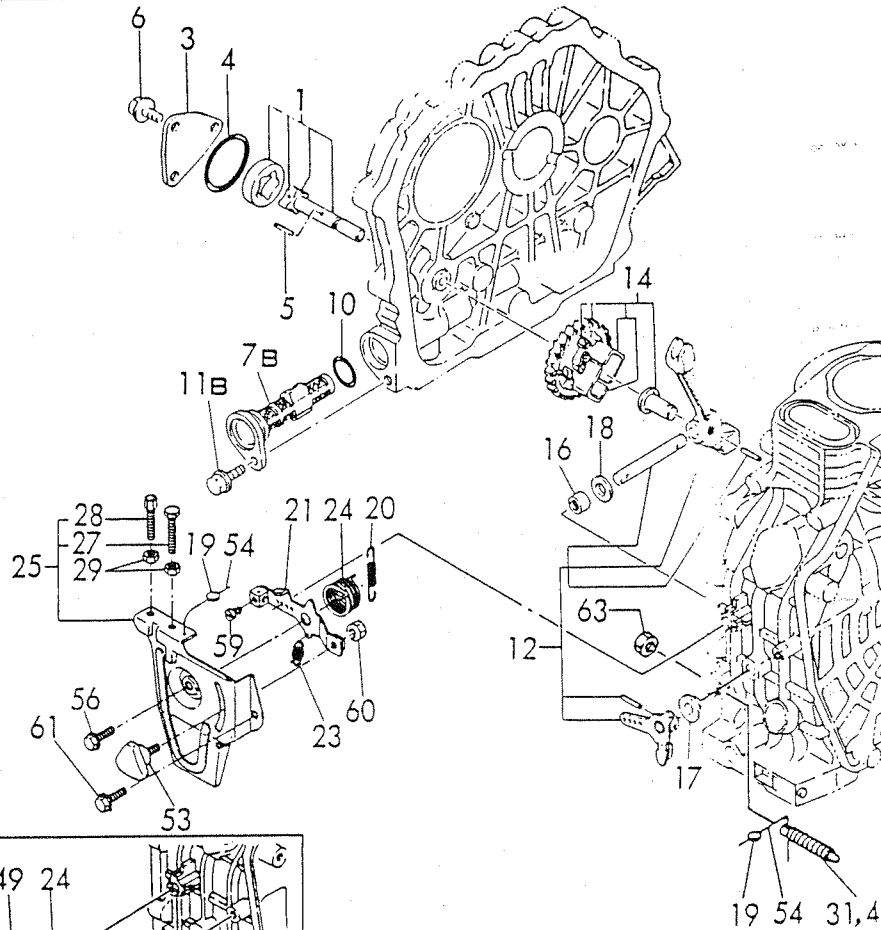
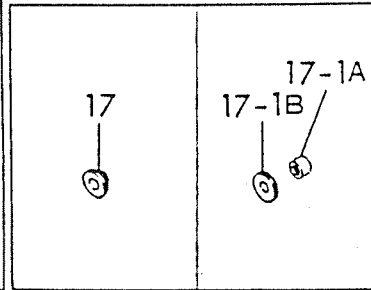
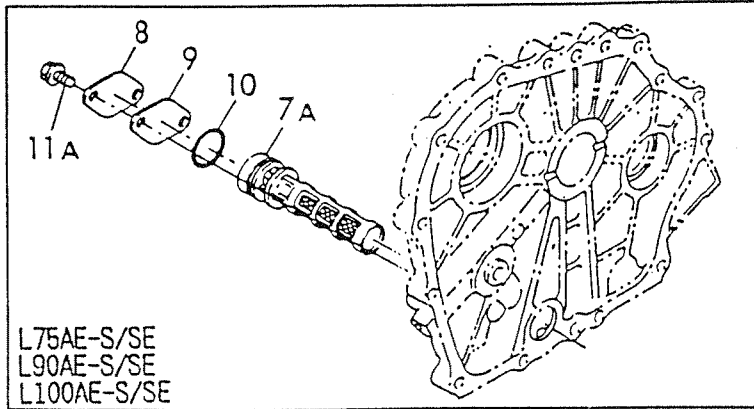
REF. NO.	LEV. 0	PART NO.	DESCRIPTION	-----Q'TY-----						I P/U A R
				(A)	(B)	(C)	(D)	(E)	(F)	
45	.	714650-23700	ROD ASSY, CONNECTING	1	1	1	1	1	1	
47	..	124060-23100	BUSH, PISTON PIN	1	1	1	1	1	1	
48	..	104200-23201	BOLT, ROD	2	2	2	2	2	2	
49	..	714650-23600	BEARING, CRANKPIN	1	1	1	1	1	1	
51	.	714650-23610	BEARING, PIN(U.S=0.25	1	1	1	1	1	1	(%)
52	.	714650-23620	BEARING, PIN(U.S=0.50	1	1	1	1	1	1	(%)
53	.	714689-28510	SHAFT ASSY, BALANCER	1	1	1	1	1	1	
55	.	24101-062034	BALL BEARING	2	2	2	2	2	2	

----- REMARKS -----+-----

I(X) OVERSIZED & UNDERSIZED PARTS
 I(Y) FOR L75AE/90AE-D(E)GMO
 I(H) FOR L90AE-DEPAC
 I(#) FOR L75AE/90AE/100AE-D(E)P
 I(T) FOR L75AE/90AE/100AE-D/DE
 I L75AE/90AE/100AE-D(E)TM,

Fig. **33** LUB. OIL PUMP & GOVERNOR

SPEC. CODE
 D14970-32100
 D14250-35100
 D14250-35110
 D14970-61100
 D14389-66100
 D14770-66110
 D14770-66120
 D14670-66500
 D14685-66500
 D14270-66800



+-----+
 I 1F08 I
 I (1F02) I
 +-----+
 YOOR3981

(33) L.O. DEVICE & GOVERNOR CONTROL

91.07.02

(A)=L75AE-D/DE (D)=L75AE-S/SE
 (B)=L90AE-D/DE (E)=L90AE-S/SE
 (C)=L100AE-D/DE (F)=L100AE-S/SE

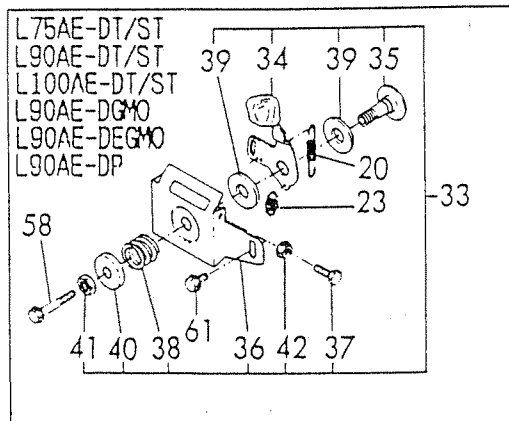
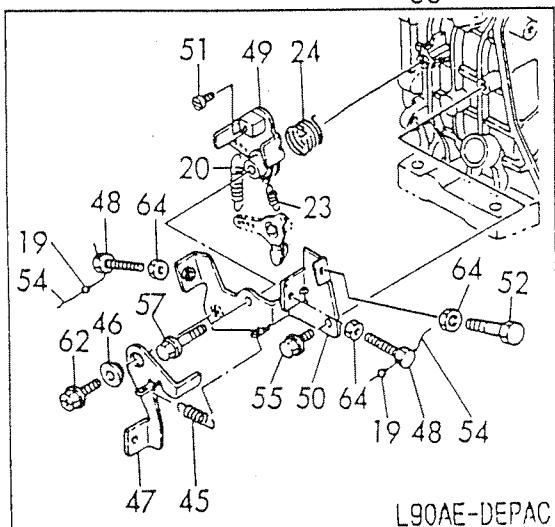
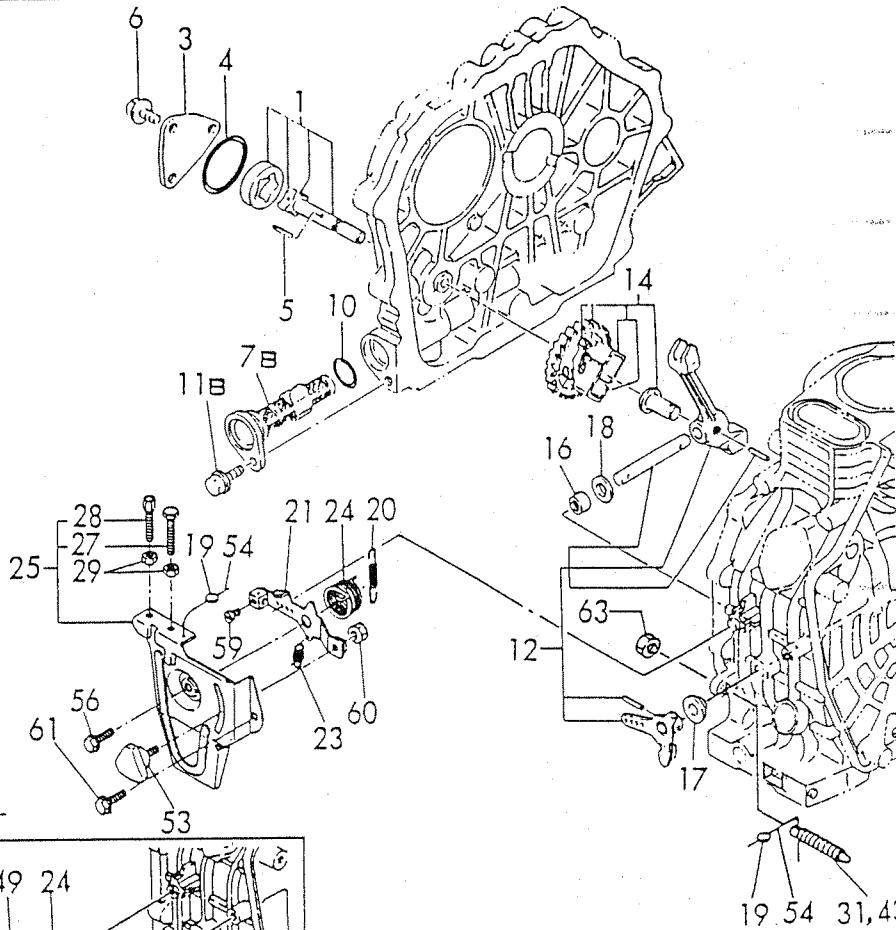
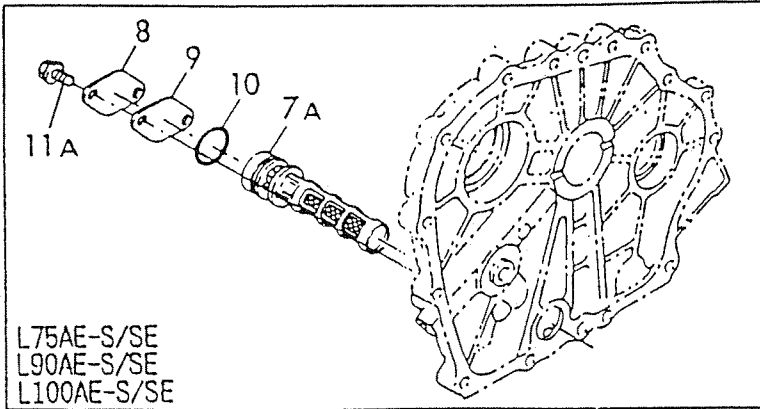
REF. NO.	LEV. 0	PART NO.	DESCRIPTION	-----Q'ITY-----						I	P	U	A	R
				(A)	(B)	(C)	(D)	(E)	(F)					
1	.	114650-32010	PUMP ASSY, LUB.OIL	1	1	1	1	1	1					
3	.	114250-32070	COVER, LUB. OIL PUMP	1	1	1	1	1	1					
4	.	103338-32570	O-RING	1	1	1	1	1	1					
5	.	22312-030160	PARALLEL PIN 3X16	1	1	1	1	1	1					
6	.	26476-060142	BOLT M 6X 14, TAPPING	3	3	3	3	3	3					
7A	.	114250-35060	STRAINER, LUB. OIL				1	1	1					
7B	.	114250-35070	STRAINER, LUB. OIL	1	1	1								
8	.	114250-35250	COVER				1	1	1					
9	.	114250-35270	GASKET, L.O.STRAINER				1	1	1					
10	.	24341-000224	O-RING 1A S-22.4	1	1	1	1	1	1					
11A	.	26106-060122	BOLT M 6X 12 PLATED				2	2	2					
11B	.	26106-060162	BOLT M 6X 16 PLATED	1	1	1								
12	.	714650-61500	LEVER ASSY, GOVERNOR	1	1	1	1	1	1					
14	.	714970-61700	GOVERNOR ASSY	1	1	1	1	1	1					
16	.	121450-61520	NEEDLE BEARING FJ810	2	2	2	2	2	2					
17	.	114250-61900	BUSH, THRUST	1	1	1	1	1	1					
17-1A	.	114770-61600	SEAL, OIL	1	1	1	1	1	1			F		
	(A=X)												
17-1B	.	114770-61610	WASHER	1	1	1	1	1	1			F		
	(A=X)												
18	.	22137-080000	WASHER 8, POLISHED	1	1	1	1	1	1					
19	.	135210-61090	LEAD	2	2	2	2	2	2					
20	.	114970-66010	SPRING, REGULATOR	1	1	1	1	1	1					
21	.	114250-66050	HANDLE, REGULATOR	1	1	1	1	1	1					
23	.	114250-66200	SPRING, RETURN	1	1	1	1	1	1					
24	.	114252-66252	SPRING, RETURN	1	1	1	1	1	1					
25	.	714268-66500	BRACKET ASSY, REGULAT	1	1	1	1	1	1					
27	...	114250-66440	BOLT, ADJUSTING	1	1	1	1	1	1					
28	...	102100-67080	BOLT, ADJUSTING	1	1	1	1	1	1					
29	..	26757-060002	LOCK NUT M 6 PLATED	2	2	2	2	2	2					
31	.	114650-66500	TORQUE SPRING ASSY	1	1	1	1	1	1					
33	.	183250-66500	BRACKET ASSY, REGULAT	1	1	1							(Y)	
34	..	183250-66050	HANDLE, REGULATOR	1	1	1							(Y)	
35	..	183250-66070	SHAFT, HANDLE	1	1	1							(Y)	
36	..	183250-66100	BRACKET, REGULATOR	1	1	1							(Y)	
37	..	114250-66440	BOLT, ADJUSTING	1	1	1							(Y)	
38	..	104200-66820	SPRING	1	1	1							(Y)	
39	..	104200-66830	PLATE, FRICTION	2	2	2							(Y)	
40	..	104200-66850	WASHER (B)	1	1	1							(Y)	
41	..	26696-100002	NUT M10	1	1	1							(Y)	
42	..	26757-060002	LOCK NUT M 6 PLATED	1	1	1							(Y)	
43	.	114650-66600	TORQUE SPRING ASSY	1	1								(#)	
45	.	114268-66200	SPRING, RETURN		1								(H)	
46	.	114654-66140	PIECE		1								(H)	
47	.	114650-66150	LEVER, STOP		1								(H)	
48	.	114250-66440	BOLT, ADJUSTING		2								(H)	
49	.	114652-66871	LEVER, REGULATOR		1								(H)	
50	.	114652-66881	BLACKET, LEVER		1								(H)	
51	.	105225-66990	SCREW		1								(H)	
52	.	102100-67080	BOLT, ADJUSTING		1								(H)	
53	.	160725-78350	KNOB (W/M6X15)	1	1	1	1	1	1					
54	.	22451-060000	WIRE 0.6	2	2	2	2	2	2					
55	.	26106-060122	BOLT M 6X 12 PLATED		1								(H)	
56	.	26106-060202	BOLT M 6X 20 PLATED	1	1	1	1	1	1					

** CONTINUE **

17-1RG

Fig. **33** LUB. OIL PUMP & GOVERNOR

SPEC. CODE
 D14970-32100
 D14250-35100
 D14250-35110
 D14970-61100
 D14389-66100
 D14770-66110
 D14770-66120
 D14670-66500
 D14685-66500
 D14270-66800



+-----+
 I 1F09 I
 I (1F02) I
 +-----+
 Y00R3981

(33) L.O. DEVICE & GOVERNOR CONTROL

91.07.02

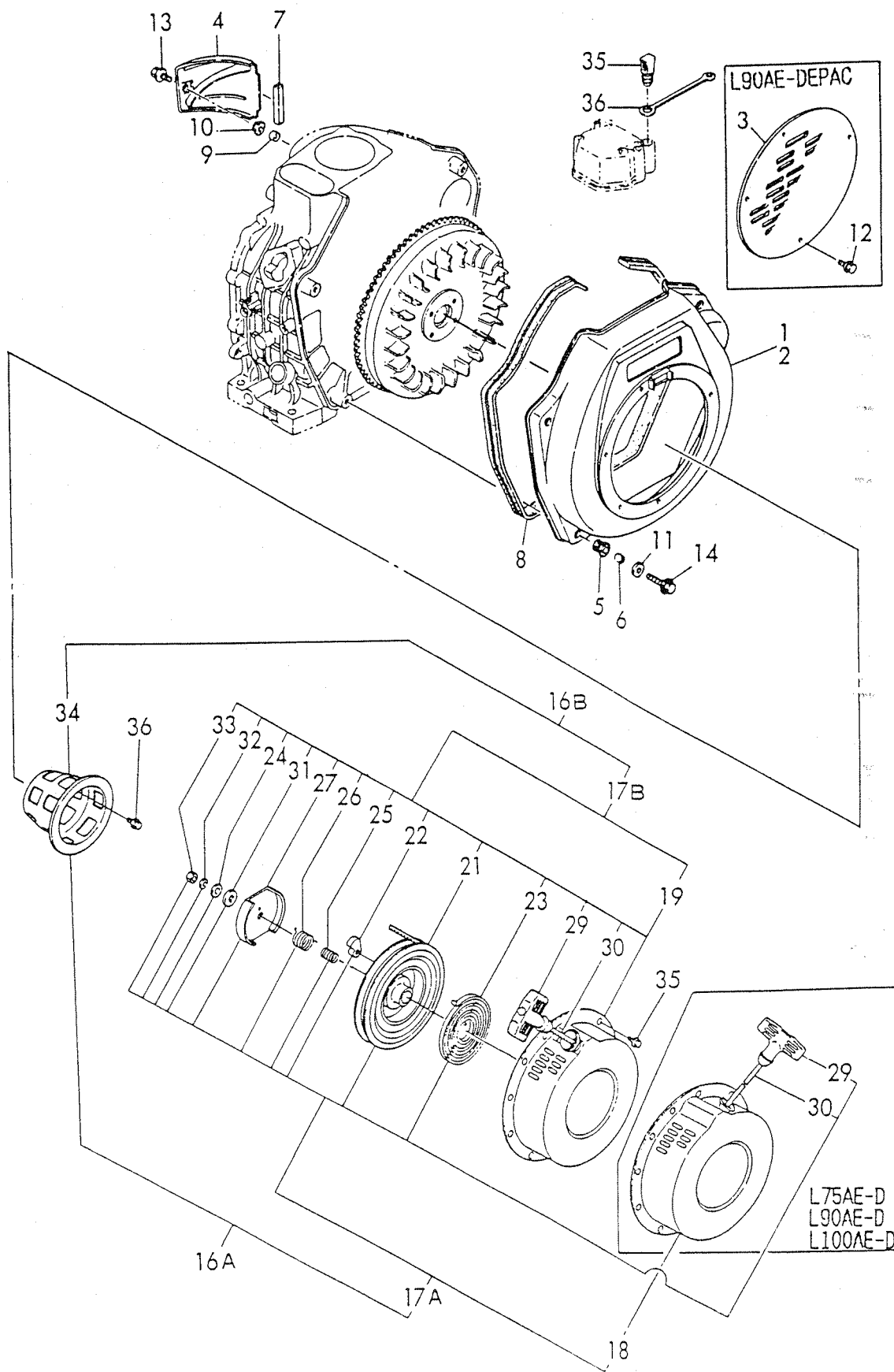
(A)=L75AE-D/DE (D)=L75AE-S/SE
 (B)=L90AE-D/DE (E)=L90AE-S/SE
 (C)=L100AE-D/DE (F)=L100AE-S/SE

REF. NO.	LEV. 0	PART NO.	DESCRIPTION	-----Q'TY-----						I P/U A R
				(A)	(B)	(C)	(D)	(E)	(F)	
57	.	26106-060302	BOLT M 6X 30 PLATED		1					(H)
58	.	26106-060452	BOLT M 6X 45 PLATED	1	1	1				(Y)
59	.	26116-040088	BOLT M 4X 8 PLATED	1	1	1	1	1	1	
60	.	26346-060002	U-NUT M 6 PLATED	1	1	1	1	1	1	
61	.	26476-060142	BOLT M 6X 14, TAPPING	1	1	1	1	1	1	
62	.	26476-060202	BOLT M 6X 20, TAPPING		1	1				
63	.	26696-100002	NUT M10	1	1	1	1	1	1	
64	.	26757-060002	LOCK NUT M 6 PLATED	2	3	3	2	2	2	

----- REMARKS -----
 I (Y) FOR L75AE/90AE-D(E)GMO &
 I L75AE/90AE/100AE-D(E)P
 I (#) FOR L75AE/90AE-D(E)GMO
 I (H) FOR L90AE-DEPAC

Fig. **34** COOLING & STARTING DEVICE

SPEC. CODE
 D14654-45110
 D14658-45101
 D14668-45101
 D83677-45101
 D14650-76110
 D14654-76120
 D14660-76110



+-----+
 I 1F10 I
 I(1F02)I
 +-----+
 Y00R3981

(34) COOLING & RECOIL STARTER

91.07.02

(A)=L75AE-D/DE (D)=L75AE-S/SE
 (B)=L90AE-D/DE (E)=L90AE-S/SE
 (C)=L100AE-D/DE (F)=L100AE-S/SE

REF. NO.	LEV. 0	PART NO.	DESCRIPTION	-----Q'ITY-----						I P/U A R
				(A)	(B)	(C)	(D)	(E)	(F)	
1	.	114668-45102	CASE(D), COOLING FAN	1	1	1				
2	.	114658-45102	CASE(S), COOLING FAN				1	1	1	
3	.	114654-45180	COVER, DUST		1					(Y)
4	.	114650-45200	COVER, CYLINDER	1	1	1	1	1	1	
5	.	114250-45300	RUBBER, CUSHION	4	4	4	4	4	4	
6	.	114250-45310	COLLAR	4	4	4	4	4	4	
7	.	114350-45320	RUBBER, SEAL	1	1	1	1	1	1	
8	.	114650-45330	SEAL, FAN CASE	1	1	1	1	1	1	
9	.	114350-45340	COLLAR	1	1	1	1	1	1	
10	.	183720-55210	GROMMET	1	1	1	1	1	1	
11	.	160120-76940	WASHER	4	4	4	4	4	4	
12	.	26106-060082	BOLT M 6X 8 PLATED		4					(Y)
13	.	26476-060202	BOLT M 6X 20, TAPPING	1	1	1	1	1	1	
14	.	26476-060252	BOLT M 6X 25, TAPPING	4	4	4	4	4	4	
16A	.	114660-76050	RECOIL STARTER(D)ASY	1	1					
16B	.	114650-76050	RECOIL STARTER(S)ASY				1	1		
17A	..	114660-76250	RECOIL STARTER(D)ASY	1	1					
17A-1	..	714660-76821	RECOIL STARTER(D)ASY	1	1	1				N
(A=X)										
17B	..	114650-76250	RECOIL STARTER(S)ASY				1	1		
17B-1	..	714650-76821	RECOIL STARRER(S)ASY				1	1	1	N
(D=X)										
18	...	714660-76831	CASE (D) W/LABEL	1	1	1				
19	...	714650-76831	CASE (S) W/LABEL				1	1	1	
20C	114250-07350	LABEL, YANMAR DIESEL	1	1	1	1	1	1	
21	...	114650-76520	REEL, RECOIL	1	1	1	1	1	1	
22	...	160910-76530	RATCHET	1	1	1	1	1	1	
23	...	114650-76540	SPRING, SPIRAL	1	1	1	1	1	1	
24	...	160910-76550	WASHER, THRUST	1	1	1	1	1	1	
25	...	160910-76560	SPRING, FRICTION	1	1	1	1	1	1	
26	...	160910-76570	SPRING, RETURN	1	1	1	1	1	1	
27	...	160910-76580	PLATE, FRICTION	1	1	1	1	1	1	
29	...	160910-76620	KONB, STARTER	1	1	1	1	1	1	
30	...	114650-76630	ROPE, RECOIL STARTER	1	1	1	1	1	1	
31	...	160910-76650	WASHER (B)	1	1	1	1	1	1	
32	...	22217-060000	SPRING WASHER 6	1	1	1	1	1	1	
33	...	26717-060002	NUT M 6	1	1	1	1	1	1	
34	..	114660-76590	PULLEY, STARTER	1	1	1	1	1	1	
35	.	114250-76600	PLUNGER	1	1	1	1	1	1	
36	.	114250-76610	HOLDER, PLUNGER	1	1	1	1	1	1	
37	.	26106-060082	BOLT M 6X 8 PLATED	4	4	4	4	4	4	
38	.	26106-060122	BOLT M 6X 12 PLATED	3	3	3	3	3	3	
39	.	160710-78710	CLAMP, CORD	1	1	1				

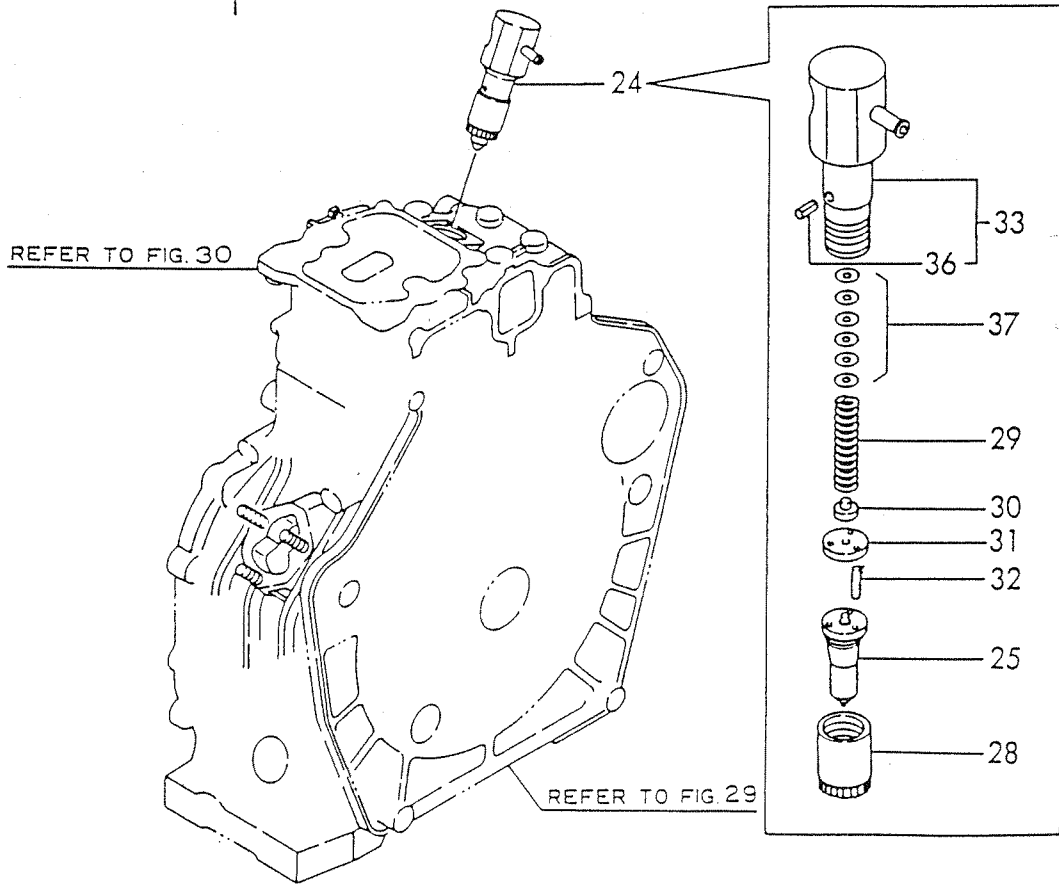
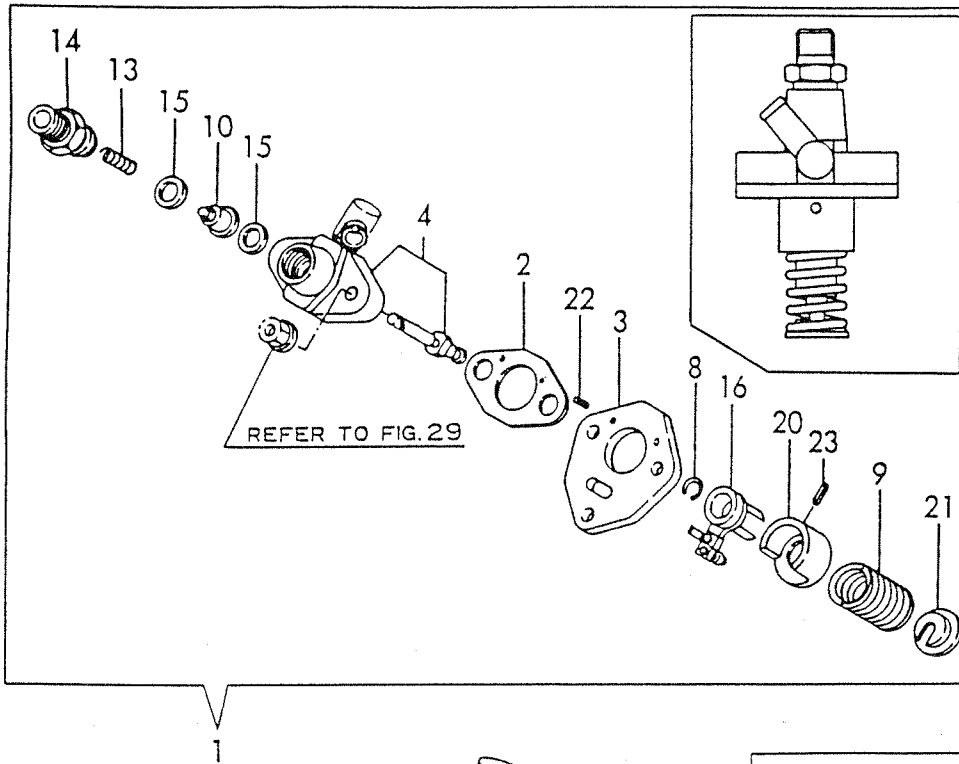
----- REMARKS -----

I(Y) FOR L90AE-DEPAC
 I(H) FOR L75AE/90AE/100AE-D(E)P

Y053601

Fig. **35** FUEL INJECTION PUMP & VALVE

SPEC. CODE
 D14550-51100 D14650-53100
 D14650-51100



+-----+
 I 1F11 I
 I(1F02)I
 +-----+
 Y00R3981

(35) FUEL INJECTION PUMP & VALVE

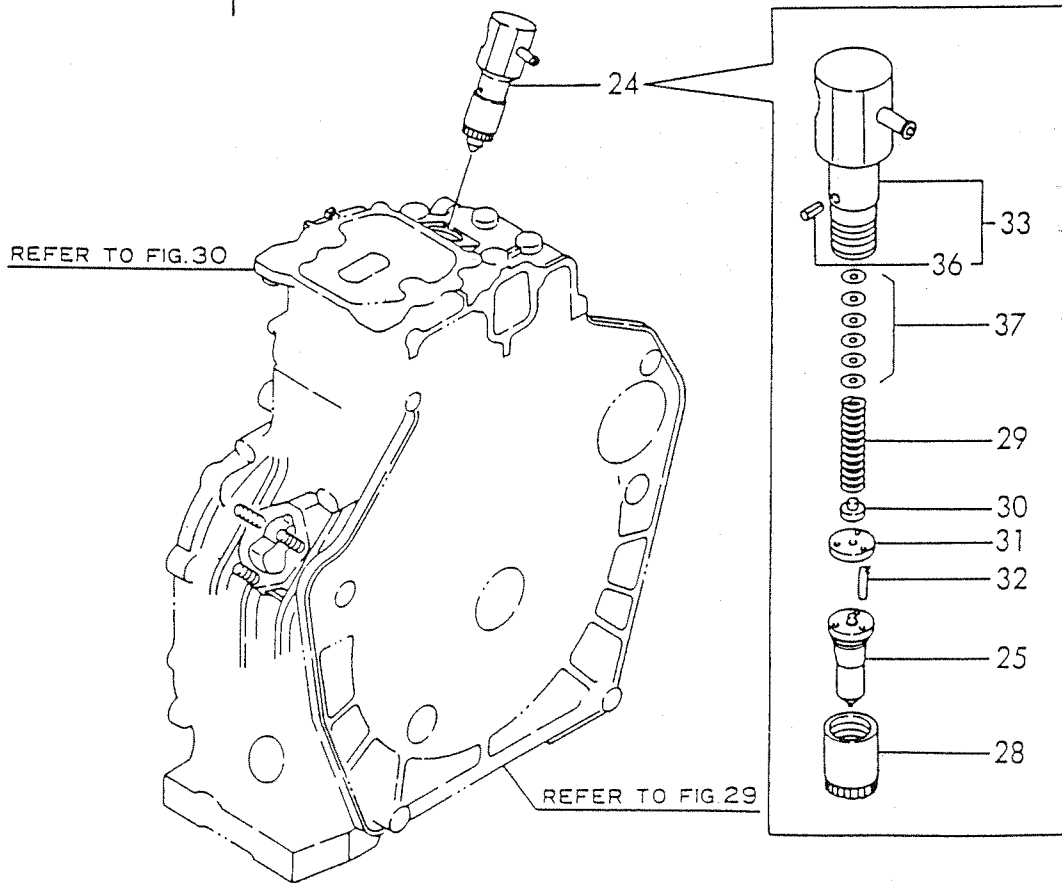
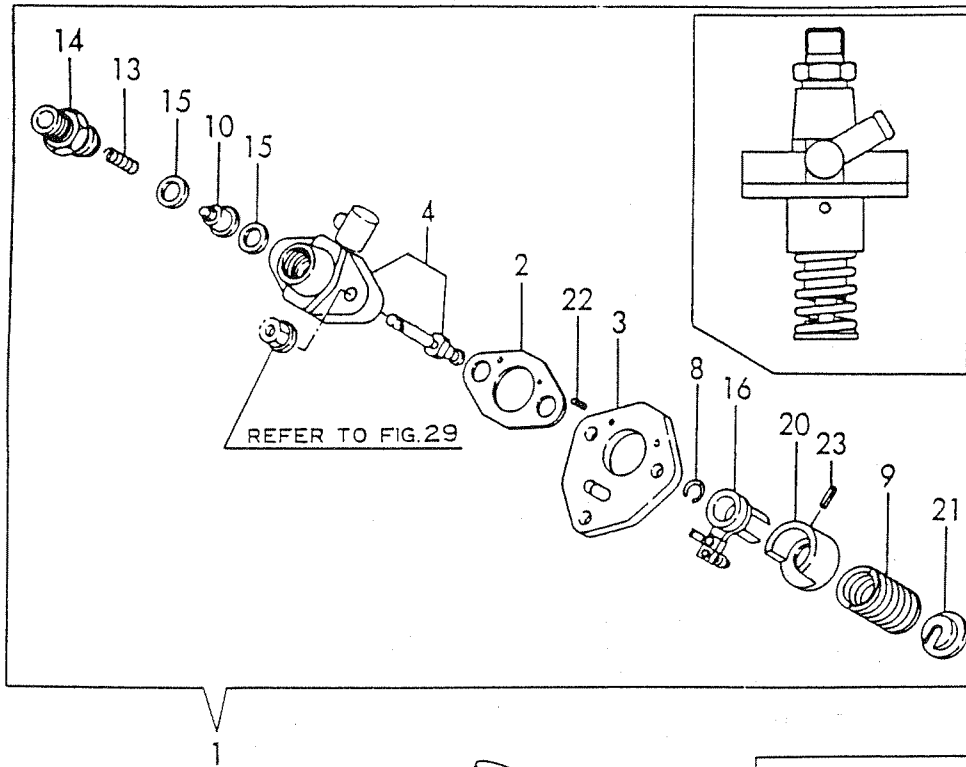
91.07.02

(A)=L75AE-D/DE (D)=L75AE-S/SE
 (B)=L90AE-D/DE (E)=L90AE-S/SE
 (C)=L100AE-D/DE (F)=L100AE-S/SE

REF. NO.	LEV. 0	PART NO.	DESCRIPTION	-----+Q'TY----- I P/U A R						
				(A)	(B)	(C)	(D)	(E)	(F)	
1A	.	714550-51700	FUEL ASSY, F.INJECT.	1			1			
1B	.	714650-51700	PUMP ASSY, F.INJECT.		1			1		
1C	.	714970-51700	PUMP ASSY, F.INJECT.			1				1
2	..	105546-51020	GASKET	1	1	1	1	1	1	1
3	..	114250-51080	PLATE	1	1	1	1	1	1	1
4A	..	114650-51100	BODY, F.I. PUMP	1	1		1	1		
4B	..	114970-51100	BODY, F. I. PUMP			1				1
8	..	114250-51150	SNAP RING	1	1	1	1	1	1	1
9	..	114250-51160	SPRING	1	1	1	1	1	1	1
10	..	114650-51300	VALVE ASSY, DELIVERY	1	1	1	1	1	1	1
13	..	105546-51330	SPRING, DELIV. VALVE	1	1	1	1	1	1	1
14	..	114250-51340	HOLDER, F.I.P.DELIVE	1	1	1	1	1	1	1
15	..	124550-51350	GASKET, DELIVERY	2	2	2	2	2	2	2
16	..	114250-51600	LEVER ASSY, CONTROL	1	1	1	1	1	1	1
20	..	114250-51640	SEAT (A), SPRING	1	1	1	1	1	1	1
21	..	114250-51650	SEAT (B), SPRING	1	1	1	1	1	1	1
22	..	22351-020006	SPRING PIN 2X 6	2	2	2	2	2	2	2
23	..	22351-030008	SPRING PIN 3X 8	1	1	1	1	1	1	1
24	.	714650-53100	VALVE ASSY, F.INJECT	1	1	1	1	1	1	1
25	..	114650-53000	NOZZLE ASSY, F.INJECT	1	1	1	1	1	1	1
28	..	114250-53080	NUT, NOZZLE CASE	1	1	1	1	1	1	1
29	..	114250-53120	SPRING, NOZZLE	1	1	1	1	1	1	1
30	..	114250-53130	SEAT, NOZZLE SPRING	1	1	1	1	1	1	1
31	..	114250-53140	PLATE, STOP	1	1	1	1	1	1	1
32	..	114250-53210	PIN	2	2	2	2	2	2	2
33	..	114650-53300	HOLDER ASSY, NOZZLE	1	1	1	1	1	1	1
36	...	114250-53331	PIN, SPRING	1	1	1	1	1	1	1
37	..	114250-53400	SHIM PACK	1	1	1	1	1	1	1

SPEC. CODE
D83550-51400
D83650-51400
D14650-53100

Fig. **36** FUEL INJECTION PUMP & VALVE



+-----+
 I 1F12 I
 I(1F02)I
 +-----+
 YOOR3981

(36) FUEL INJECTION PUMP & VALVE

91.07.02

(A)=L75AE-D(E)TM(D)=L75AE-S(E)TM
 (B)=L90AE-D(E)TM(E)=L90AE-S(E)TM
 (C)=L100AE-DETM (F)=L100AE-SETM

REF. NO.	LEV. 0	PART NO.	DESCRIPTION	-----Q'TY----- I P/U A R					
				(A)	(B)	(C)	(D)	(E)	(F)
1A	.	783550-51740	PUMP ASSY. F.INJECT.	1			1		
1B	.	783650-51740	PUMP ASSY. F.INJECT.		1			1	
1C	.	783986-51740	PUMP ASSY. F.INJECT.			1			1
2	..	105546-51020	GASKET	1	1	1	1	1	1
3	..	114250-51080	PLATE	1	1	1	1	1	1
4A	..	183650-51400	BODY, F. I. PUMP	1	1		1	1	
4B	..	183986-51400	BODY, F. I. PUMP			1			1
8	..	114250-51150	SNAP RING	1	1	1	1	1	1
9	..	114250-51160	SPRING	1	1	1	1	1	1
10	..	114650-51300	VALVE ASSY, DELIVERY	1	1	1	1	1	1
13	..	105546-51330	SPRING, DELIV. VALVE	1	1	1	1	1	1
14	..	114250-51340	HOLDER, F.I.P.DELIVE	1	1	1	1	1	1
15	..	124550-51350	GASKET, DELIVERY	2	2	2	2	2	2
16	..	114250-51600	LEVER ASSY, CONTROL	1	1	1	1	1	1
20	..	114250-51640	SEAT (A), SPRING	1	1	1	1	1	1
21	..	114250-51650	SEAT (B), SPRING	1	1	1	1	1	1
22	..	22351-020006	SPRING PIN 2X 6	2	2	2	2	2	2
23	..	22351-030008	SPRING PIN 3X 8	1	1	1	1	1	1
24	.	714650-53100	VALVE ASSY, F.INJECT	1	1	1	1	1	1
25	..	114650-53000	NOZZLE ASSY, F.INJECT	1	1	1	1	1	1
28	..	114250-53080	NUT, NOZZLE CASE	1	1	1	1	1	1
29	..	114250-53120	SPRING, NOZZLE	1	1	1	1	1	1
30	..	114250-53130	SEAT, NOZZLE SPRING	1	1	1	1	1	1
31	..	114250-53140	PLATE, STOP	1	1	1	1	1	1
32	..	114250-53210	PIN	2	2	2	2	2	2
33	..	114650-53300	HOLDER ASSY, NOZZLE	1	1	1	1	1	1
36	...	114250-53331	PIN, SPRING	1	1	1	1	1	1
37	..	114250-53400	SHIM PACK	1	1	1	1	1	1

+-----+
 I 1F13 I
 I(1F02)I
 +-----+
 YOOR3981

(37) FUEL TANK & FUEL PIPE

91.07.02

(A)=L75AE-D/DE (D)=L75AE-S/SE
 (B)=L90AE-D/DE (E)=L90AE-S/SE
 (C)=L100AE-D/DE (F)=L100AE-S/SE

REF. NO.	LEV. 0	PART NO.	DESCRIPTION	-----Q'TY-----						I P/U A R
				(A)	(B)	(C)	(D)	(E)	(F)	
1	.	714569-55701	TANK ASSY, FUEL(D/S)	1	1	1	1	1	1	
2	.	714668-55721	TANK ASSY.FUEL(DGMO)	1	1					(H)
4	..	114250-55041	CAP, TANK	1	1	1	1	1	1	
5	...	114250-55050	GASCET, TANK CAP	1	1	1	1	1	1	
6	...	114250-55060	SEAL	1	1	1	1	1	1	
8	..	114250-55100	FILTER, FUEL	1	1	1	1	1	1	
9	..	114650-55150	PIPE, GAUGE	1	1	1	1	1	1	
10	..	124722-59050	CLAMP 9	2	2	2	2	2	2	
11	..	23414-120000	GASKET 12, ROUND	1	1	1	1	1	1	
12	..	23887-120002	PLUG 12,HEX.	1	1	1	1	1	1	
13	..	114250-55201	DAMPER, FUEL TANK	4	4	4	4	4	4	
14	.	114650-55120	FILTER, FUEL OIL	1	1	1	1	1	1	
15	.	114250-55130	GASKET	1	1	1	1	1	1	
16	.	114250-55211	STAY (A)	1	1	1	1	1	1	
17	.	114650-55230	STAY (B)	1	1	1	1	1	1	
18	.	114250-55300	COCK ASSY, FUEL	1	1	1	1	1	1	
19	..	24341-000150	O-RING 1A S-15.0	1	1	1	1	1	1	
20	.	114252-55800	NUT	1	1	1	1	1	1	
21	.	114650-55810	BOLT, LIFTING	1	1	1	1	1	1	
22	.	22117-060000	WASHER 6	1	1	1	1	1	1	
23	.	22117-080000	WASHER 8	1	1	1	1	1	1	
24	.	26106-080452	BOLT M 8X 45 PLATED	1	1	1	1	1	1	
25	.	26366-060002	NUT M 6	1	1	1	1	1	1	
26	.	26476-060142	BOLT M 6X 14,TAPPING	2	2	2	2	2	2	
27	.	106990-44660	BAND, HOSE	2	2	2	2	2	2	
28	.	114250-59050	PIPE, FUEL OIL	1	1	1	1	1	1	
29	.	114652-59300	PIPE, FUEL RETURN	1	1	1	1	1	1	
30	..	124722-59050	CLAMP 9	2	2	2	2	2	2	
31	..	114250-59060	PIPE, FUEL RETURN	1	1	1	1	1	1	
32	..	114652-59310	TUBE, PROTECT	1	1	1	1	1	1	
33	..	121750-59890	RETAINER	1	1	1	1	1	1	
34	.	114650-59800	PIPE, FUEL INJECTION	1	1	1	1	1	1	

----- REMARKS -----+-----

I(H) FOR L75AE/90AE-D(E)GMO

+-----+
 I 1F14 I
 I (1F02) I
 +-----+
 YOOR3981

(38) FUEL TANK & FUEL PIPE

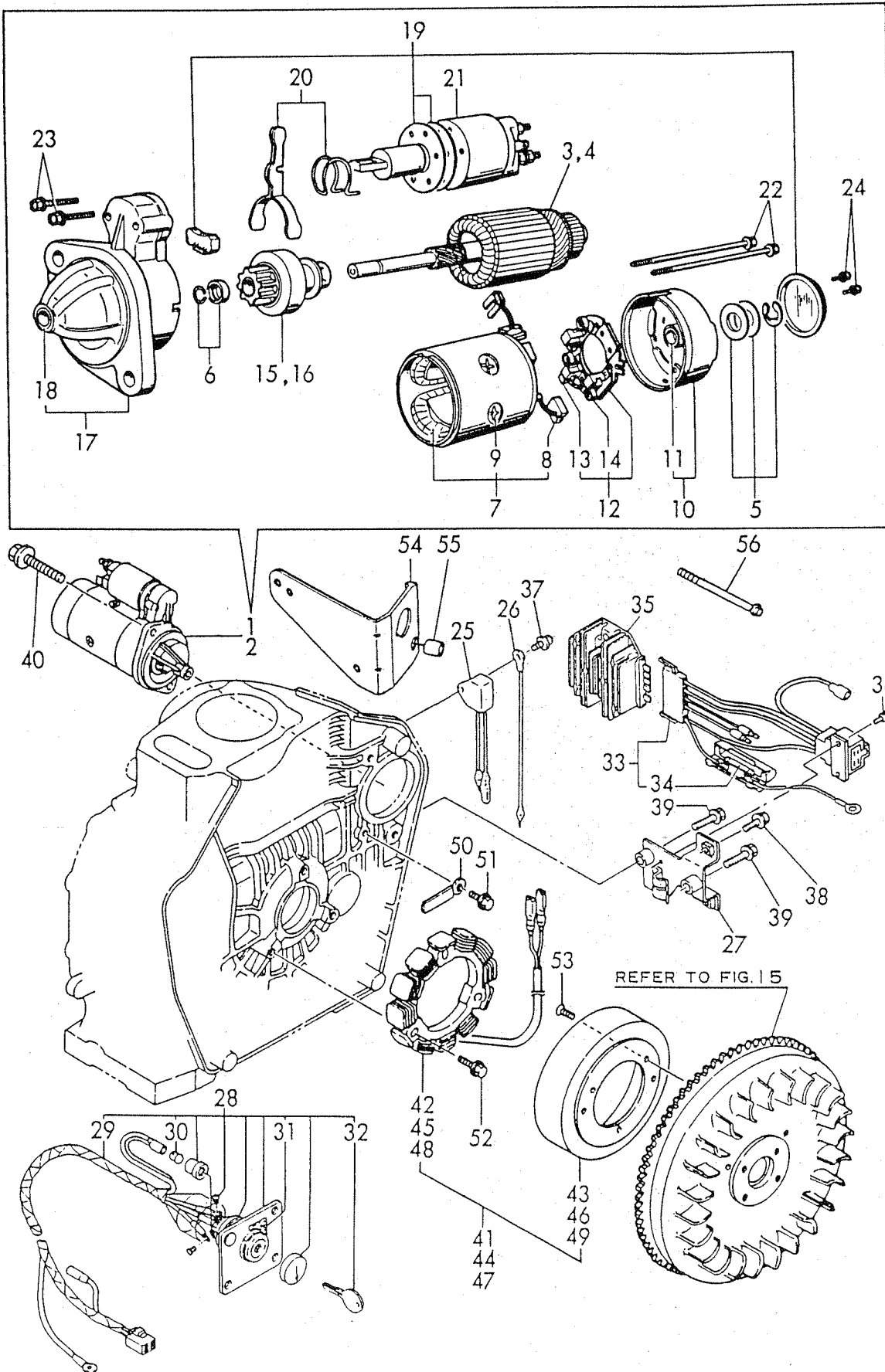
91.07.02

(A)=L75AE-D(E)TM(D)=L75AE-S(E)TM
 (B)=L90AE-D(E)TM(E)=L90AE-S(E)TM
 (C)=L100AE-DETM (F)=L100AE-SETM

REF. NO.	LEV. 0	PART NO.	DESCRIPTION	-----Q'TY-----						I P/U A R
				(A)	(B)	(C)	(D)	(E)	(F)	
1	.	714668-55700	TANK ASSY.(DTM/STM)	1	1	1	1	1	1	
3	..	114250-55041	CAP, TANK	1	1	1	1	1	1	
4	...	114250-55050	GASCET, TANK CAP	1	1	1	1	1	1	
5	...	114250-55060	SEAL	1	1	1	1	1	1	
7	..	114250-55100	FILTER, FUEL	1	1	1	1	1	1	
8	..	114650-55150	PIPE, GAUGE	1	1	1	1	1	1	
9	..	124722-59050	CLAMP 9	2	2	2	2	2	2	
10	..	23414-120000	GASKET 12, ROUND	1	1	1	1	1	1	
11	..	23887-120002	PLUG 12,HEX.	1	1	1	1	1	1	
12	..	114250-55201	DAMPER, FUEL TANK	4	4	4	4	4	4	
13	.	114650-55120	FILTER, FUEL OIL	1	1	1	1	1	1	
14	.	114250-55130	GASKET	1	1	1	1	1	1	
15	.	114250-55211	STAY (A)	1	1	1	1	1	1	
16	.	114650-55230	STAY (B)	1	1	1	1	1	1	
17	.	114250-55300	COCK ASSY, FUEL	1	1	1	1	1	1	
18	..	24341-000150	O-RING 1A S-15.0	1	1	1	1	1	1	
19	.	114252-55800	NUT	1	1	1	1	1	1	
20	.	114650-55810	BOLT, LIFTING	1	1	1	1	1	1	
21	.	22117-060000	WASHER 6	1	1	1	1	1	1	
22	.	22117-080000	WASHER 8	1	1	1	1	1	1	
23	.	26106-080452	BOLT M 8X 45 PLATED	1	1	1	1	1	1	
24	.	26366-060002	NUT M 6	1	1	1	1	1	1	
25	.	26476-060142	BOLT M 6X 14,TAPPING	2	2	2	2	2	2	
26	.	106990-44660	BAND, HOSE	2	2	2	2	2	2	
27	.	114250-59050	PIPE, FUEL OIL	1	1	1	1	1	1	
28	.	114652-59300	PIPE, FUEL RETURN	1	1	1	1	1	1	
29	..	124722-59050	CLAMP 9	2	2	2	2	2	2	
30	..	114250-59060	PIPE, FUEL RETURN	1	1	1	1	1	1	
31	..	114652-59310	TUBE, PROTECT	1	1	1	1	1	1	
32	..	121750-59890	RETAINER	1	1	1	1	1	1	
33	.	114650-59810	PIPE, FUEL INJECTION	1	1	1	1	1	1	

SPEC. CODED14654-77120
D14351-77100D14351-78300
D14361-77110D14351-78350
D14362-77100D14353-78310
D14651-77110D14654-77140

Fig. 39 STARTING MOTOR & DYNAMO



+-----+
 I 1F15 I
 I (1F02) I
 +-----+
 YOOR3981

(39) STARTING MOTOR & DYNAMO

91.07.02

(A)=L75AE-DE (D)=L75AE-SE
 (B)=L90AE-DE (E)=L90AE-SE
 (C)=L100AE-DE (F)=L100AE-SE

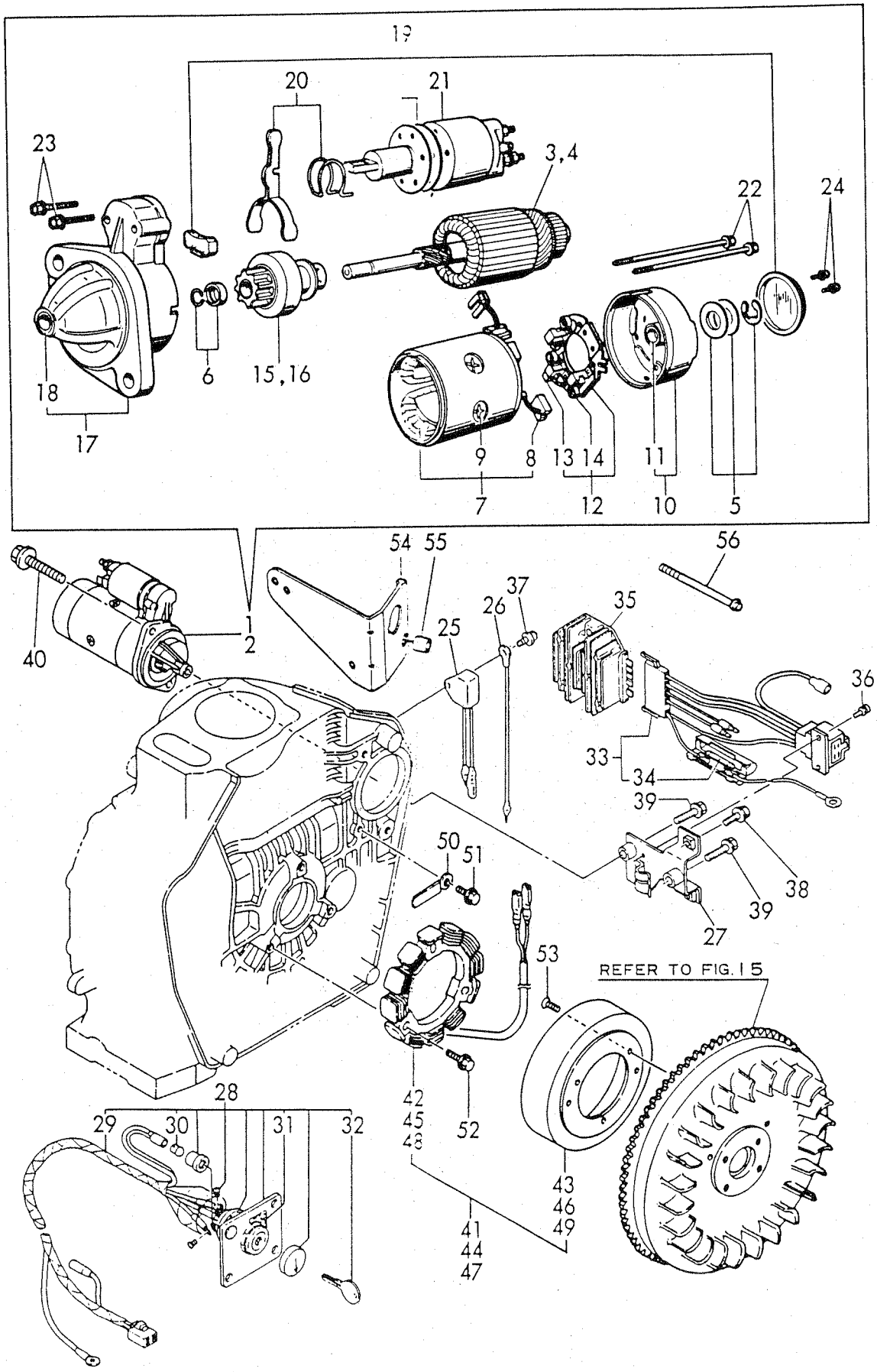
REF. NO.	LEV. 0	PART NO.	DESCRIPTION	-----Q'TY-----						I	P	U	A	R
				(A)	(B)	(C)	(D)	(E)	(F)					
1	.	114362-77010	STARTER (S114-414A)	1	1	1								
2	.	114351-77010	STARTER (S114-413A)				1	1	1					
3	..	X211461104	ARMATURE	1	1	1								
4	..	X211461008	ARMATURE				1	1	1					
5	..	X21148110	WASHER SET, THRUST	1	1	1	1	1	1					
6	..	X21147155	STOPPER SET, PINION	1	1	1	1	1	1					
7	...	X211412105	COIL ASSY, FIELD	1	1	1	1	1	1					
8	...	X21145312	BRUSH (+)	2	2	2	2	2	2					
9	...	X21143215	SCREW, CORE	4	4	4	4	4	4					
10	..	X211473002	COVER, REAR	1	1	1	1	1	1					
11	...	X21145352	METAL	1	1	1	1	1	1					
12	..	X211489001	HOLDER ASSY, BRUSH	1	1	1	1	1	1					
13	...	X21148313	BRUSH (-)	1	1	1	1	1	1					
14	...	X21149314	SPRING, BRUSH	3	3	3	3	3	3					
15	..	X211445508	PINION ASSY	1	1	1								
16	..	X211445504	PINION ASSY				1	1	1					
17	..	X211416603	HOUSING ASSY, GEAR	1	1	1	1	1	1					
18	...	X21145352	METAL	1	1	1	1	1	1					
19	..	X211478006	COVER KIT, DUST	1	1	1	1	1	1					
20	..	X211456013	LEVER KIT, SHIFT	1	1	1	1	1	1					
21	..	X211427501	SWITCH, MAGNETIC	1	1	1	1	1	1					
22	..	X211468005	BOLT, THROUGH	2	2	2	2	2	2					
23	..	X21145867	BOLT 6	2	2	2	2	2	2					
24	..	X21142835	SCREW SET	1	1	1	1	1	1					
25	.	160970-77350	RECTIFIER	1	1	1	1	1	1					
26	.	183350-77400	WIRE, LEAD	1	1	1	1	1	1					
27	.	114253-77410	BRACKET	1	1	1								(Y)
I 27-	1	114385-77400	BRACKET	1	1	1						R		(Y)
	(A=X)												
28	.	114351-77500	PANEL ASSY,KEYSWITCH	1	1	1								(H)
29	..	114351-77700	HARNESS, WIRE	1	1	1								(H)
30	...	29220-083200	BULB (12V/3.4W)	1	1	1								(H)
31	..	105198-07120	LABEL, STARTER	1	1	1								(H)
32	..	106100-77630	KEY, STARTER	1	1	1								(H)
33	.	114351-77540	HARNESS, WIRE	1	1	1								(Y)
34	..	29411-150000	FUSE (15A),CARTRIDGE	2	2	2								(Y)
35	.	119660-77710	CURRENT LIMITER	1	1	1								(Y)
36	.	26023-040102	SCREW M 4X 10	2	2	2								(Y)
37	.	26106-060122	BOLT M 6X 12 PLATED	1	1	1								(Y)
38	.	26106-060202	BOLT M 6X 20 PLATED	2	2	2								(Y)
39	.	26106-060252	BOLT M 6X 25 PLATED	2	2	2								(Y)
I 39-	1	26106-060122	BOLT M 6X 12 PLATED	2	2	2	2	2	2					
	(A=X)												
40	.	26106-100302	BOLT M10X 30 PLATED	2	2	2	2	2	2					
41	.	114351-78250	DYNAMO ASSY	1	1	1	1	1	1					
42	..	114351-78750	STATOR ASSY	1	1	1	1	1	1					
43	..	114351-78760	WHEEL, DYNAMO	1	1	1	1	1	1					
44	.	114351-78260	DYNAMO ASSY (12V-3A)	1	1	1								
45	..	114351-78770	STATOR ASSY, (132.1MM	1	1	1								(H)
46	..	114351-78780	WHEEL (STATOR132.1MM	1	1	1								(H)
47	.	114351-78290	DYNAMO ASSY (12V-15A				1							(#)
48	..	114351-78830	STATOR ASSY, (132.1MM				1							(#)
49	..	114351-78840	WHEEL (STATOR132.1MM				1							(#)
50	.	160710-78710	CLAMP, CORD	1	1	1	1	1	1					

** CONTINUE **

Y053609

SPEC. CODE D14654-77120
D14351-77100 D14351-78300
D14361-77110 D14351-78350
D14362-77100 D14353-78310
D14651-77110 D14654-77140

Fig. 39 STARTING MOTOR & DYNAMO



+-----+
 I 1F16 I
 I (1F02) I
 +-----+
 Y00R3981

(39) STARTING MOTOR & DYNAMO

91.07.02

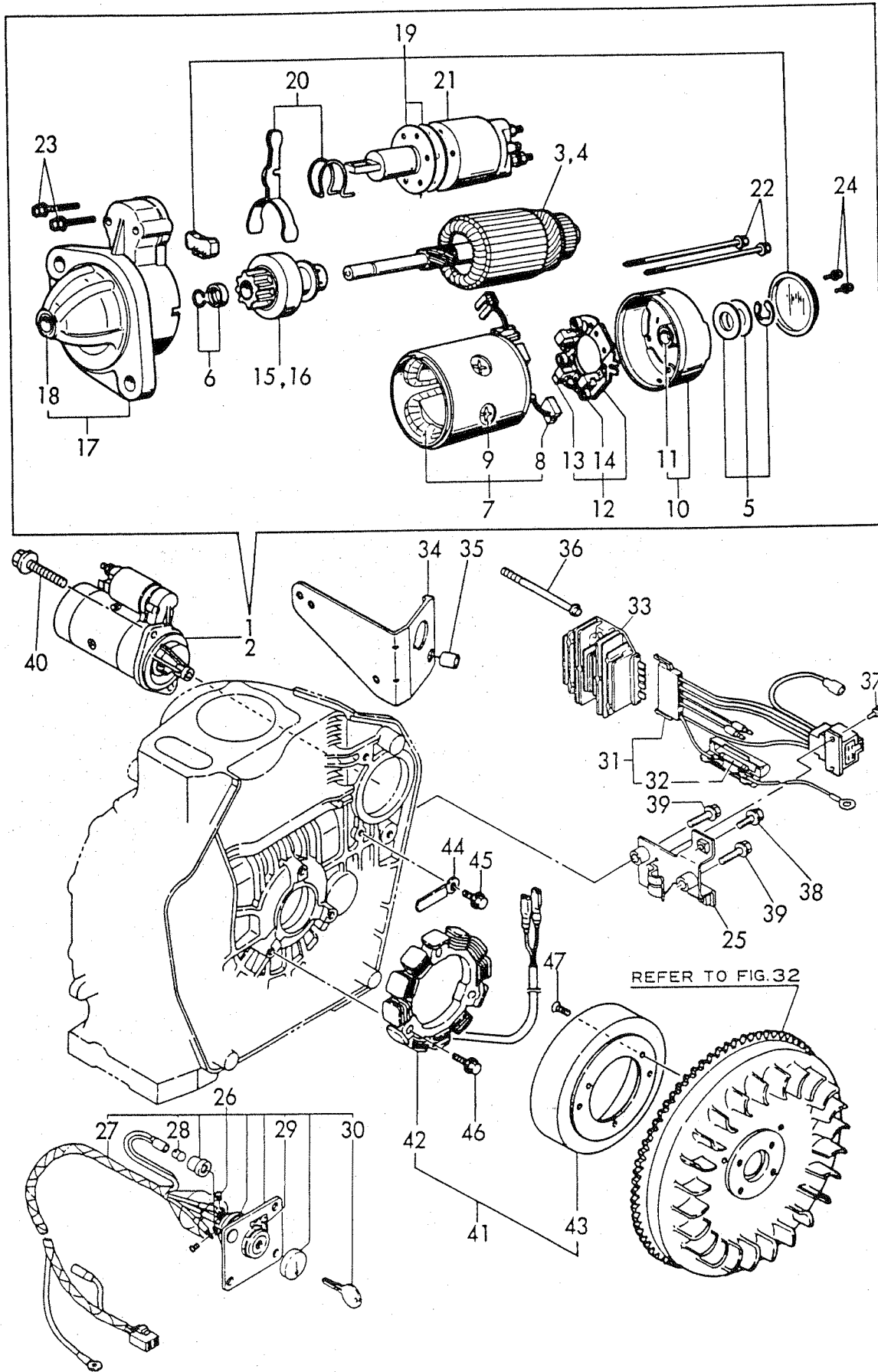
(A)=L75AE-DE (D)=L75AE-SE
 (B)=L90AE-DE (E)=L90AE-SE
 (C)=L100AE-DE (F)=L100AE-SE

REF. NO.	LEV. 0	PART NO.	DESCRIPTION	-----Q'ITY-----						I P/U A R
				(A)	(B)	(C)	(D)	(E)	(F)	
51	.	26476-060142	BOLT M 6X 14,TAPPING	1	1	1	1	1	1	
52	.	26476-060202	BOLT M 6X 20,TAPPING	3	3	3	3	3	3	
53	.	26577-060142	SCREW M 6X 14	3	3	3	3	3	3	
54	.	114351-77620	BRACKET, ST.SWITCH	1	1	1	1	1	1	(X)
55	.	114351-77630	WASHER	2	2	2	2	2	2	(X)
56	.	26106-060702	BOLT M 6X 70 PLATED	2	2	2	2	2	2	(X)

----- REMARKS -----
 I (Y) FOR L90AE-DEPAC, L75AE/90AE/100AE
 I -D(E)P
 I (#) FOR L90AE-DEPAC
 I (X) OPTIONAL PARTS
 I (H) FOR L75AE/90AE/100AE-D(E)P

SPEC. CODE
D14361-77110
D14651-77110
D14654-77140
D14353-78310

Fig. 40 STARTING MOTOR & DYNAMO



+-----+
 I 1G01 I
 I (1F02) I
 +-----+
 Y00R3981

(40) STARTING MOTOR & DYNAMO

91.07.02

(A)=L75AE-DETM (D)=L75AE-SETM
 (B)=L90AE-DETM (E)=L90AE-SETM
 (C)=L100AE-DETM (F)=L100AE-SETM

REF. NO.	LEV. 0	PART NO.	DESCRIPTION	-----Q'TY-----						I	P/U	A	R
				(A)	(B)	(C)	(D)	(E)	(F)				
1	.	114362-77010	STARTER (S114-414A)	1	1	1							
2	.	114351-77010	STARTER (S114-413A)				1	1	1				
3	..	X211461104	ARMATURE	1	1	1							
4	..	X211461008	ARMATURE				1	1	1				
5	..	X21148110	WASHER SET, THRUST	1	1	1	1	1	1				
6	..	X21147155	STOPPER SET, PINION	1	1	1	1	1	1				
7	...	X211412105	COIL ASSY, FIELD	1	1	1	1	1	1				
8	...	X21145312	BRUSH (+)	2	2	2	2	2	2				
9	...	X21143215	SCREW, CORE	4	4	4	4	4	4				
10	..	X211473002	COVER, REAR	1	1	1	1	1	1				
11	...	X21145352	METAL	1	1	1	1	1	1				
12	..	X211489001	HOLDER ASSY, BRUSH	1	1	1	1	1	1				
13	...	X21148313	BRUSH (-)	1	1	1	1	1	1				
14	...	X21149314	SPRING, BRUSH	3	3	3	3	3	3				
15	..	X211445508	PINION ASSY	1	1	1							
16	..	X211445504	PINION ASSY				1	1	1				
17	..	X211416603	HOUSING ASSY, GEAR	1	1	1	1	1	1				
18	...	X21145352	METAL	1	1	1	1	1	1				
19	..	X211478006	COVER KIT, DUST	1	1	1	1	1	1				
20	..	X211456013	LEVER KIT, SHIFT	1	1	1	1	1	1				
21	..	X211427501	SWITCH, MAGNETIC	1	1	1	1	1	1				
22	..	X211468005	BOLT, THROUGH	2	2	2	2	2	2				
23	..	X21145867	BOLT 6	2	2	2	2	2	2				
24	..	X21142835	SCREW SET	1	1	1	1	1	1				
25	.	114253-77410	BRACKET	1	1	1	1	1	1				
I 25- 1	.	114385-77400	BRACKET	1	1	1	1	1	1			R	
		(A=X)											
26	.	114351-77500	PANEL ASSY,KEYSWITCH	1	1	1	1	1	1				
27	..	114351-77700	HARNESS, WIRE	1	1	1	1	1	1				
28	...	29220-083200	BULB (12V/3.4W)	1	1	1	1	1	1				
29	..	105198-07120	LABEL, STARTER	1	1	1	1	1	1				
30	..	106100-77630	KEY, STARTER	1	1	1	1	1	1				
31	.	114351-77540	HARNESS, WIRE	1	1	1	1	1	1				
32	..	29411-150000	FUSE (15A),CARTRIDGE	2	2	2	2	2	2				
33	.	119660-77710	CURRENT LIMITER	1	1	1	1	1	1				
34	.	114351-77620	BRACKET, ST.SWITCH	1	1	1	1	1	1			(H)	
35	.	114351-77630	WASHER	2	2	2	2	2	2			(H)	
36	.	26106-060702	BOLT M 6X 70 PLATED	2	2	2	2	2	2			(H)	
37	.	26023-040102	SCREW M 4X 10	2	2	2	2	2	2				
38	.	26106-060202	BOLT M 6X 20 PLATED	2	2	2	2	2	2				
39	.	26106-060252	BOLT M 6X 25 PLATED	2	2	2	2	2	2				
I 39- 1	.	26106-060122	BOLT M 6X 12 PLATED	2	2	2	2	2	2			N	
		(A=X)											
40	.	26106-100302	BOLT M10X 30 PLATED	2	2	2	2	2	2				
41	.	114351-78260	DYNAMO ASSY (12V-3A)	1	1	1	1	1	1				
42	..	114351-78770	STATOR ASSY, (132.1MM	1	1	1	1	1	1				
43	..	114351-78780	WHEEL (STATOR132.1MM	1	1	1	1	1	1				
44	.	160710-78710	CLAMP, CORD	1	1	1	1	1	1				
45	.	26476-060142	BOLT M 6X 14,TAPPING	1	1	1	1	1	1				
46	.	26476-060202	BOLT M 6X 20,TAPPING	3	3	3	3	3	3				
47	.	26577-060142	SCREW M 6X 14	3	3	3	3	3	3				

----- REMARKS -----+

I (H) OPTIONAL PARTS

Y053609

+-----+
 I 1602 I
 I(1F02)I
 +-----+
 Y00R3981

(41) TOOLS / LABELS & GASKET SET

91.07.02

(A)=L75AE-D/DE (D)=L75AE-S/SE
 (B)=L90AE-D/DE (E)=L90AE-S/SE
 (C)=L100AE-D/DE (F)=L100AE-S/SE

REF. NO.	LEV. 0	PART NO.	DESCRIPTION	-----Q'TY-----						I P/U A R
				(A)	(B)	(C)	(D)	(E)	(F)	
1	.	114250-92600	BAG, TOOL	1	1	1	1	1	1	
2	.	160330-92730	SCREWDRIVER	1	1	1	1	1	1	
3	.	28110-100120	WRENCH 10X12	1	1	1	1	1	1	
4	.	28110-140170	WRENCH 14X17	1	1	1	1	1	1	
5	.	28210-000150	FEEDER, OIL	1	1	1	1	1	1	
6	.	114250-92101	F.W. LOCKING HANDLE	1	1	1	1	1	1	(Y)
7	.	114250-92130	REMOVER, FLYWHEEL	1	1	1	1	1	1	(Y)
9	..	26116-060454	BOLT M 6X 45 PLATED	4	4	4	4	4	4	(Y)
10	..	26116-080454	BOLT M 8X 45 PLATED	3	3	3	3	3	3	(Y)
11	..	26716-060002	NUT M 6	8	8	8	8	8	8	(Y)
12	..	26716-080002	NUT M 8	6	6	6	6	6	6	(Y)
13	.	114668-92300	GUIDE, OIL SEAL	1	1	1				(Y)
14	.	114650-92300	GUIDE, OIL SEAL				1	1	1	(Y)
15	.	114650-92310	INSTALLING TOOL	1	1	1	1	1	1	(Y)
16	.	114650-92350	INSTALLING TOOL	1	1	1	1	1	1	(Y)
17	.	114570-07050	LABEL, (L75A)	1			1			
18A	.	114670-07050	LABEL, (L90A)		1			1		
18B	.	114970-07050	LABEL, (L100A)			1			1	
19	.	114250-07090	LABEL, AIR COOLED	1	1	1	1	1	1	
20A	.	114250-07110	LABEL, YANMAR	1	1	1	1	1	1	
20B	.	183250-07110	LABEL, YANMAR	1	1	1				
21	.	183250-07230	LABEL, OPERATION	1	1	1		1	1	
22	.	114268-07240	LABEL, CAUTION	1	1	1	1	1	1	
23	.	114250-07260	LABEL, OPERATION	1	1	1	1	1	1	
24	.	114268-07280	LABEL, PRECAUTION		1	1				
25	.	114250-07350	LABEL, YANMAR DIESEL	1	1	1	1	1	1	
26	.	114268-07350	LABEL, HOW TO START	1	1	1	1	1	1	
27	.	114268-07360	LABEL, HOW TO START (F		1	1				
28A	.	714589-92600	GASKET SET	1			1			
28B	.	714689-92600	GASKET SET		1			1		
28C	.	714970-92600	GASKET SET			1			1	
29A	..	114550-01340	GASKET, CYL. HEAD	1			1			
29B	..	114650-01340	GASKET, CYL. HEAD		1			1		
29C	..	114970-01340	GASKET, CYL. HEAD			1			1	
30	..	114650-01380	O-RING	1	1	1	1	1	1	
31A	..	114650-01412	GASKET, CRANK CASE	1	1	1	1	1	1	
31B	..	114650-01411	GASKET, CRANK CASE	1	1	1	1	1	1	
32	..	24311-000180	O-RING 1A P-18.0	2	2	2	2	2	2	
33	..	114250-01840	GASKET	1	1	1	1	1	1	
34	..	43400-500490	SEAL WASHER 16	2	2	2	2	2	2	
35	..	114650-11340	SEAL, VALVE STEM	2	2	2	2	2	2	
36	..	114250-11460	GASKET, NOZZLE	1	1	1	1	1	1	
37	..	114650-11310	GASKET, BONNET	1	1	1	1	1	1	
38	..	114650-12300	GASKET, AIR INTAKE	1	1	1	1	1	1	
39	..	114650-12210	GASKET, AIR CLEANER	1	1	1	1	1	1	
40	..	114650-13200	GASKET, MUFFLER	1	1	1	1	1	1	
41	..	103338-32570	O-RING	1	1	1	1	1	1	
42	..	114250-35270	GASKET, L.O. STRAINER	1	1	1	1	1	1	

----- REMARKS -----

(Y) OPTIONAL PARTS

Y053611

部品番号順索引表

当パーツカタログに記載されている総ての部品を部品番号順（使用場所別）に収録してあります。

部品番号により目的の部品がどの部分に使用されているかを知る場合にご活用下さい。

PARTS INDEX

All parts of this Parts Catalog is arranged by Part No. order
(depending on the spot where the part is used).

If you want to know by Part No. where your object part is used,
please use this Parts Catalog.

(MF NO. Y00R3981)

+-----+
| 1L01 |
+-----+

*** PARTS INDEX ***

91.07.02

P. 1

PART NO.	DESCRIPTION	CATALOG NO.	GRP. REF. NO.	LOC NO.	PART NO.	DESCRIPTION	CATALOG NO.	GRP. REF. NO.	LOC NO.
X211412105	COIL ASSY, FIELD	Y00R3981	12 7	1B15	X21145352	METAL	Y00R3981	27 11	1D16
			13 7	1C01				18	1D16
			26 7	1D14				39 11	1F15
			27 7	1D16					18
			39 7	1F15				40 11	1G01
			40 7	1G01				18	1G01
X211416603	HOUSING ASSY, GEAR	Y00R3981	12 17	1B15	X211456013	LEVER KIT, SHIFT	Y00R3981	12 20	1B15
			13 17	1C01				13 20	1C01
			26 17	1D14				26 20	1D14
			27 17	1D16				27 20	1D16
			39 17	1F15				39 20	1F15
			40 17	1G01				40 20	1G01
X211427501	SWITCH, MAGNETIC	Y00R3981	12 21	1B15	X21145867	BOLT 6	Y00R3981	12 23	1B15
			13 21	1C01				13 23	1C01
			26 21	1D14				26 23	1D14
			27 21	1D16				27 23	1D16
			39 21	1F15				39 23	1F15
			40 21	1G01				40 23	1G01
X21142835	SCREW SET	Y00R3981	12 24	1B15	X211461008	ARMATURE	Y00R3981	12 4	1B15
			13 24	1C01				13 4	1C01
			26 24	1D14				26 4	1D14
			27 24	1D16				27 4	1D16
			39 24	1F15				39 4	1F15
			40 24	1G01				40 4	1G01
X21143215	SCREW, CORE	Y00R3981	12 9	1B15	X211461104	ARMATURE	Y00R3981	12 3	1B15
			13 9	1C01				13 3	1C01
			26 9	1D14				26 3	1D14
			27 9	1D16				27 3	1D16
			39 9	1F15				39 3	1F15
			40 9	1G01				40 3	1G01
X211445504	PINION ASSY	Y00R3981	12 16	1B15	X211468005	BOLT, THROUGH	Y00R3981	12 22	1B15
			13 16	1C01				13 22	1C01
			26 16	1D14				26 22	1D14
			27 16	1D16				27 22	1D16
			39 16	1F15				39 22	1F15
			40 16	1G01				40 22	1G01
X211445508	PINION ASSY	Y00R3981	12 15	1B15	X21147155	STOPPER SET, PINION	Y00R3981	12 6	1B15
			13 15	1C01				13 6	1C01
			26 15	1D14				26 6	1D14
			27 15	1D16				27 6	1D16
			39 15	1F15				39 6	1F15
			40 15	1G01				40 6	1G01
X21145312	BRUSH (+)	Y00R3981	12 8	1B15	X211473002	COVER, REAR	Y00R3981	12 10	1B15
			13 8	1C01				13 10	1C01
			26 8	1D14				26 10	1D14
			27 8	1D16				27 10	1D16
			39 8	1F15				39 10	1F15
			40 8	1G01				40 10	1G01
X21145352	METAL	Y00R3981	12 11	1B15	X211478006	COVER KIT, DUST	Y00R3981	12 19	1B15
			13 11	1C01				13 19	1C01
			18	1C01				26 19	1D14
			26	1D14				27 19	1D16
			18	1D14				39 19	1F15
								40 19	1G01

+-----+
| 1L02 |
+-----+

PART NO.	DESCRIPTION	CATALOG NO.	GRP. REF. NO.	LOC NO.	PART NO.	DESCRIPTION	CATALOG NO.	GRP. REF. NO.	LOC. NO.
X21148110	WASHER SET, THRUST	Y00R3981	12 5	1B15	105198-07120	LABEL, STARTER	Y00R3981	26 51	1D14
			13 5	1C01				27 29	1D16
			26 5	1D14				39 31	1F15
			27 5	1D16				40 29	1G01
			39 5	1F15	105225-01240	WASHER	Y00R3981	15 5	1D03
			40 5	1G01	105225-66990	SCREW	Y00R3981	33 51	1F08
X21148313	BRUSH (-)	Y00R3981	12 13	1B15	105425-01690	PLUG M16	Y00R3981	1 12	1B03
			13 13	1C01				15 12	1D03
			26 13	1D14				29 16	1F03
			27 13	1D16	105546-51020	GASKET	Y00R3981	8 3	1B11
			39 13	1F15				9 3	1B12
			40 13	1G01				22 3	1D10
X211489001	HOLDER ASSY, BRUSH	Y00R3981	12 12	1B15				23 3	1D11
			13 12	1C01				35 2	1F11
			26 12	1D14				36 2	1F12
			27 12	1D16	105546-51330	SPRING, DELIV. VALVE	Y00R3981	8 11	1B11
			39 12	1F15				9 11	1B12
			40 12	1G01				22 11	1D10
X21149314	SPRING, BRUSH	Y00R3981	12 14	1B15				23 11	1D11
			13 14	1C01				35 13	1F11
			26 14	1D14				36 13	1F12
			27 14	1D16	106100-77630	KEY, STARTER	Y00R3981	17 52	1B15
			39 14	1F15				13 30	1C01
			40 14	1G01				26 52	1D14
101158-11180	RETAINER, SPRING	Y00R3981	16 6	1D04				27 30	1D16
102100-67080	BOLT, ADJUSTING	Y00R3981	6 30	1B08				39 32	1F15
			20 30	1D08				40 30	1G01
			33 28	1F08	106990-44660	BAND, HOSE	Y00R3981	10 26	1B13
			52 4	1B08				11 26	1B14
103338-32570	O-RING	Y00R3981	6 4	1C02				24 26	1D12
			14 4	1D08				25 26	1D13
			20 4	1E01				37 27	1F13
			28 44	1E01				38 26	1F14
			33 4	1F08	114250-01200	STUD, CYL. HEAD	Y00R3981	1 1	1B03
			41 41	1G02	114250-01210	STUD, CYL. HEAD	Y00R3981	1 2	1B03
			4 18	1B06	114250-01220	NUT 8	Y00R3981	1 3	1B03
103854-01221	NUT M16	Y00R3981	4 18	1D06	114250-01250	NUT 8	Y00R3981	1 4	1B03
104200-23201	BOLT, ROD	Y00R3981	32 48	1F07	114250-01340	GASKET, CYL. HEAD	Y00R3981	1 6A	1B03
104200-66820	SPRING	Y00R3981	6 38	1B08				14 31A	1C02
			20 38	1D08	114250-01380	O-RING	Y00R3981	1 7	1B03
			33 38	1F08				14 32	1C02
			6 39	1B08	114250-01411	GASKET, CRANK CASE	Y00R3981	1 8A	1B03
104200-66830	PLATE, FRICTION	Y00R3981	20 39	1D08				14 33A	1C02
			33 39	1F08	114250-01412	GASKET, CRANK CASE	Y00R3981	1 8B	1B03
			6 40	1B08				14 33B	1C02
104200-66850	WASHER (B)	Y00R3981	20 40	1D08	114250-01452	COVER (S), CRANK CASE	Y00R3981	1 9B	1B03
			33 40	1F08	114250-01800	SHIM SET	Y00R3981	1 15	1B03
			30 23	1F04				15 15	1D03
104211-11370	CAP, VALVE	Y00R3981	24 24	1F04				29 20	1F03
105010-11490	CAP, VALVE	Y00R3981	16 23	1D04	114250-01830	COVER, INSPEC. WINDOW	Y00R3981	1 17	1B03
			24 24	1D04				15 17	1D03
105025-01220	NUT 10	Y00R3981	29 5	1F03				29 22	1F03
105198-07120	LABEL, STARTER	Y00R3981	12 51	1B15	114250-01840	GASKET	Y00R3981	1 18	1B03
			13 29	1C01				14 35	1C02

(MF NO. Y00R3981)

-----+
| 1L03 |
+-----+

*** PARTS INDEX ***

91-07.02

PART NO.	DESCRIPTION	CATALOG NO.	GRP. REF. NO.	LOC	PART NO.	DESCRIPTION	CATALOG NO.	GRP. REF. NO.	LOC. NO.
114250-01840	GASKET	Y00R3981	15 18	1B03	114250-11460	GASKET, NOZZLE	Y00R3981	14 38	1B02
			28 35	1E01				16 12	1B04
			29 23	1F03				28 38	1E01
114250-02030	RETAINER, BEARING	Y00R3981	41 33	1B02				30 14	1F04
			1 29	1B03				41 36	1B02
			15 29	1B03	114250-11600	WASHER	Y00R3981	2 14	1B04
			29 34	1F03				16 14	1B04
114250-02100	BEARING, MAIN	Y00R3981	1 11	1B03	114250-11651	ARM ASSY, INTAKE	Y00R3981	2 15	1B04
114250-02113	BALL BEARING	Y00R3981	1 30	1B03				16 15	1B04
114250-02700	MAIN BEARING US-0.75	Y00R3981	1 40	1B03	114250-11900	RETAINER, NOZZLE	Y00R3981	7 25	1B04
114250-02710	MAIN BEARING US-0.50	Y00R3981	1 41	1B03				16 25	1B04
114250-03521	SHAFT ASSY, DLECOMP.	Y00R3981	2 34	1B04				30 25	1F04
			16 34	1B04	114250-11951	BONNET ASSY, HEAD	Y00R3981	2 33	1B04
			30 34	1F04				16 33	1B04
114250-03640	SPRING	Y00R3981	2 36	1B04	114250-12010	PIPE, AIR INTAKE	Y00R3981	3 1	1B05
			16 36	1B04	114250-12200	GASKET, AIR INTAKE	Y00R3981	3 3	1B05
			30 36	1F04				14 40	1C02
114250-07090	LABEL, AIR COOLED	Y00R3981	14 19	1C02	114250-12210	GASKET, AIR CLEANER	Y00R3981	1 3	1B05
			28 19	1E01				14 41A	1C02
			41 19	1B02				17 5	1D05
			14 20	1C02				28 42A	1E01
114250-07110	LABEL, YANMAR	Y00R3981	28 20	1E01	114250-12520	COVER, AIR CLEANER	Y00R3981	3 8	1B05
			41 20A	1B02				17 9	1D05
114250-07250	LABEL, HOW TO START	Y00R3981	14 23	1C02	114250-12530	CASE, AIR CLEANER	Y00R3981	17 10A	1D05
			28 23	1E01				3 12	1B05
114250-07260	LABEL, OPERATION	Y00R3981	14 24	1C02	114250-12550	WING NUT M6	Y00R3981	17 13	1D05
			28 24	1E01				3 10	1B05
114250-07350	LABEL, DIESEL	Y00R3981	7 17	1B10	114250-12560	WASHER, SEAL	Y00R3981	17 11	1D05
			14 27	1C02	114250-12580	ELEMENT, WET AIR	Y00R3981	3 11	1B05
			21 21	1D09				17 12	1D05
			28 27	1E01	114250-12980	CASE, AIR CLEANER	Y00R3981	3 98	1B05
			34 20C	1F10				17 108	1D05
114250-11020	HEAD ASSY, CYLINDER	Y00R3981	41 25	1B02	114250-13200	GASKET, MUFFLER	Y00R3981	3 27	1B05
114250-11101	VALVE, SUCTION	Y00R3981	2 1	1B04				14 42	1C02
114250-11113	VALVE, EXHAUST	Y00R3981	2 3	1B04				17 29	1D05
114250-11120	SPRING, VALVE	Y00R3981	2 4	1B04	114250-13521	MUFFLER W/COVER	Y00R3981	28 43	1E01
114250-11180	RETAINER, SPRING	Y00R3981	2 5	1B04	114250-13531	MUFFLER	Y00R3981	3 28A	1B05
114250-11240	SCREW, VALVE ADJUST.	Y00R3981	2 6	1B04	114250-13701	COVER, MUFFLER	Y00R3981	3 29A	1B05
			2 17	1B04	114250-14200	TAPPET, SUC./EXH.	Y00R3981	3 30A	1B05
			21 21	1B04				4 4	1B06
			16 17	1D04	114250-14260	TAPPET, FUEL	Y00R3981	18 4	1D06
			30 18	1D04				4 6	1B06
			21 21	1F04				18 6	1D06
114250-11290	SUPPORT, ROCKER ARM	Y00R3981	2 9	1B04	114250-14450	ROD, PUSH	Y00R3981	4 5	1B06
			16 9	1D04	114250-21550	WASHER, FLYWHEEL	Y00R3981	4 23	1B06
114250-11310	GASKET, BONNET	Y00R3981	2 32	1B04				18 23	1D06
			14 39	1C02	114250-22302	PIN, PISTON D=19	Y00R3981	5 13	1B07
			16 32	1D04	114250-23200	BOLT, ROD	Y00R3981	5 17	1B07
			28 39	1E01				19 17	1D07
114250-11340	SEAL, VALVE STEM	Y00R3981	2 11	1B04	114250-23220	NUT, ROD BOLT	Y00R3981	5 18	1B07
			14 37	1C02				19 18	1D07
114250-11460	GASKET, NOZZLE	Y00R3981	2 12	1B04	114250-23250	WASHER	Y00R3981	5 19	1B07

+-----+
| 1L04 |
+-----+

PART NO.	DESCRIPTION	CATALOG NO.	GRP. NO.	REF. NO.	LOC. NO.	PART NO.	DESCRIPTION	CATALOG NO.	GRP. NO.	REF. NO.	LOC. NO.
114250-23250	WASHER	Y00R3981	19	19	1D07	114250-51300	VALVE ASSY, DELIVERY	Y00R3981	22	10	1D10
114250-32010	PUMP ASSY, LUB.OIL	Y00R3981	6	1	1B08				23	10	1D11
114250-32070	COVER, LUB. OIL PUMP	Y00R3981	20	1	1D08	114250-51340	HOLDER, F.I.P.-DELIVE	Y00R3981	8	12	1B11
			6	3	1B08				9	12	1B12
			20	3	1D08				22	12	1D10
			33	3	1F08				23	12	1D11
114250-35060	STRAINER, LUB. OIL	Y00R3981	6	7A	1B08				35	14	1F11
			20	7A	1D08				36	14	1F12
114250-35070	STRAINER, LUB. OIL	Y00R3981	33	7A	1F08	114250-51600	LEVER ASSY, CONTROL	Y00R3981	8	14	1B11
			6	7B	1B08				9	14	1B12
			20	7B	1D08				22	14	1D10
			33	7B	1F08				23	14	1D11
114250-35150	PIPE, L.O. INLET	Y00R3981	1	20	1B03				35	16	1F11
			15	20	1D03				36	16	1F12
			29	25	1F03	114250-51640	SEAT (A), SPRING	Y00R3981	8	15	1B11
114250-35250	COVER	Y00R3981	6	8	1B08				9	15	1B12
			20	8	1D08				22	15	1D10
			33	8	1F08				23	15	1D11
114250-35270	GASKET, L.O. STRAINER	Y00R3981	6	9	1B08				35	20	1F11
			14	44	1D02				36	20	1F12
			20	9	1D08	114250-51650	SEAT (B), SPRING	Y00R3981	8	16	1B11
			28	45	1E01				9	16	1B12
			33	9	1F08				22	16	1D10
			41	42	1G02				23	16	1D11
114250-45211	COVER, CYLINDER	Y00R3981	7	3	1B10				35	21	1F11
114250-45300	RUBBER, CUSHION	Y00R3981	7	4	1B10				36	21	1F12
			21	4	1D09	114250-53001	NOZZLE ASSY, F. INJECT	Y00R3981	8	20	1B11
			34	5	1F10				9	20	1B12
114250-45310	COLLAR	Y00R3981	7	5	1B10	114250-53080	NUT, NOZZLE CASE	Y00R3981	8	21	1B11
			21	5	1D09				9	21	1B12
			34	6	1F10				22	21	1D10
114250-45330	SEAL, FAN CASE	Y00R3981	7	6	1B10				23	21	1D11
			21	7	1D09				35	28	1F11
114250-51080	PLATE	Y00R3981	8	4	1B11	114250-53120	SPRING, NOZZLE	Y00R3981	36	28	1F12
			9	4	1B12				8	22	1B11
			22	4	1D10				9	22	1B12
			23	4	1D11				22	22	1D10
			35	3	1F11				23	22	1D11
			36	3	1F12				35	29	1F11
114250-51150	SNAP RING	Y00R3981	8	8	1B11	114250-53130	SEAT, NOZZLE SPRING	Y00R3981	36	29	1F12
			9	8	1B12				8	23	1B11
			22	8	1D10				9	23	1B12
			23	8	1D11				22	23	1D10
			35	8	1F11				23	23	1D11
			36	8	1F12				35	30	1F11
114250-51160	SPRING	Y00R3981	8	9	1B11	114250-53140	PLATE, STOP	Y00R3981	36	30	1F12
			9	9	1B12				8	24	1B11
			22	9	1D10				9	24	1B12
			23	9	1D11				22	24	1D10
			35	9	1F11				23	24	1D11
			36	9	1F12				35	31	1F11
114250-51200	BODY, F.I. PUMP	Y00R3981	8	5	1B11	114250-53210	PIN	Y00R3981	36	31	1F12
114250-51300	VALVE ASSY, DELIVERY	Y00R3981	8	10	1B11				8	25	1B11
			9	10	1B12				9	25	1B12

(MF NO. Y00R3981)

-----+
| 1L05 |
+-----+

*** PARTS INDEX ***

91.07.02

PART NO.	DESCRIPTION	CATALOG NO.	GRP. REF. NO.	LOC NO.	PART NO.	DESCRIPTION	CATALOG NO.	GRP. REF. NO.	LOC. NO.
114250-53210	PIN	Y00R3981	22 25	1D10	114250-55201	DAMPER, FUEL TANK	Y00R3981	10 12	1B13
			23 25	1D11				11 12	1B14
			35 32	1F11				24 12	1D12
114250-53300	HOLDER ASSY, NOZZLE	Y00R3981	36 32	1F12				25 12	1D13
			8 26	1B11				37 13	1F13
			9 26	1B12				38 12	1F14
114250-53331	PIN, SPRING	Y00R3981	22 26	1D10	114250-55211	STAY (A)	Y00R3981	10 15	1B13
			23 26	1D11				11 15	1B14
			8 28	1B11				24 15	1D12
			9 28	1B12				25 15	1D13
			22 28	1D10				37 16	1F13
			23 28	1D11				38 15	1F14
114250-53400	SHIM PACK	Y00R3981	35 36	1F11	114250-55231	STAY (B)	Y00R3981	10 16	1B13
			36 36	1F12				11 16	1B14
			8 29	1B11	114250-55300	COCK ASSY, FUEL	Y00R3981	10 17	1B13
			9 29	1B12				11 17	1B14
			22 29	1D10				24 17	1D12
			23 29	1D11				25 17	1D13
114250-55041	CAP, TANK	Y00R3981	35 37	1F11				37 18	1F13
			36 37	1F12				38 17	1F14
			10 3	1B13	114250-59050	PIPE, FUEL OIL	Y00R3981	10 28	1B13
			11 3	1B14				11 28	1B14
			24 3	1D12				37 28	1F13
			25 3	1D13				38 27	1F14
114250-55050	GASCET, TANK CAP	Y00R3981	37 4	1F13	114250-59060	PIPE, FUEL RETURN	Y00R3981	10 29	1B13
			38 3	1F14				11 29	1B14
			10 4	1B13				24 29	1D12
			11 4	1B14				25 29	1D13
			24 4	1D12				37 31	1F13
			25 4	1D13				38 30	1F14
114250-55060	SEAL	Y00R3981	37 5	1F13	114250-59800	PIPE, FUEL INJECTION	Y00R3981	10 30	1B13
			38 4	1F14	114250-59810	PIPE, FUEL INJECTION	Y00R3981	11 30	1B14
			10 5	1B13	114250-61900	BUSH, THRUST	Y00R3981	6 18	1B08
			11 5	1B14				20 18	1D08
			24 5	1D12				33 17	1F08
			25 5	1D13	114250-66050	HANDLE, REGULATOR	Y00R3981	6 22	1B08
114250-55100	FILTER, FUEL	Y00R3981	37 6	1F13				20 22	1D08
			38 5	1F14	114250-66200	SPRING, RETURN	Y00R3981	33 21	1F08
			10 7	1B13				6 23	1B08
			11 7	1B14				20 23	1D08
			24 7	1D12				33 23	1F08
			25 7	1D13	114250-66440	BOLT, ADJUSTING	Y00R3981	6 25	1B08
			37 8	1F13				31	1B08
			38 7	1F14				37	1B08
114250-55120	FILTER, FUEL OIL	Y00R3981	10 13	1B13				20 25	1D08
114250-55130	GASKET	Y00R3981	11 13	1B14				31	1D08
			10 14	1B13				37	1D08
			11 14	1B14				33 27	1F08
			24 14	1D12				37	1F08
			25 14	1D13				6 43	1F08
			37 15	1F13	114250-66550	TORQUE SPRING ASSY	Y00R3981	6 43	1B08
			38 14	1F14				20 43	1D08
114250-55150	PIPE, GAUGE	Y00R3981	10 8	1B13	114250-76590	PULLEY, STARTER	Y00R3981	7 31	1B10
			11 8	1B14	114250-76600	PLUNGER	Y00R3981	7 32	1B10

+-----+
| 1L06 |
+-----+

PART NO.	DESCRIPTION	CATALOG NO.	GRP. REF. NO.	LOC NO.	PART NO.	DESCRIPTION	CATALOG NO.	GRP. REF. NO.	LOC. NO.
114250-7600	PLUNGER	Y00R3981	21 35	1D09	114268-07240	LABEL, CAUTION	Y00R3981	41 22	1C02
114250-7610	HOLDER, PLUNGER	Y00R3981	34 35	1F10	114268-07260	LABEL, CAUTION	Y00R3981	14 25	1C02
114250-7610	HOLDER, PLUNGER	Y00R3981	7 33	1B10				28 25	1E01
114250-7610	HOLDER, PLUNGER	Y00R3981	21 36	1D09	114268-07280	LABEL, PRECAUTION	Y00R3981	14 26	1C02
114250-7610	HOLDER, PLUNGER	Y00R3981	34 36	1F10				28 26	1E01
114250-92101	F.W. LOCKING HANDLE	Y00R3981	14 6	1C02				41 24	1E01
114250-92130	REMOVER, FLYWHEEL	Y00R3981	28 6	1E01	114268-07350	LABEL, HOW TO START	Y00R3981	14 28	1C02
114250-92130	REMOVER, FLYWHEEL	Y00R3981	41 6	1E02				28 28	1E01
114250-92130	REMOVER, FLYWHEEL	Y00R3981	14 7	1C02				41 26	1E01
114250-92301	GUIDE, OIL SEAL	Y00R3981	28 7	1E01	114268-07360	LABEL, HOW TO START	Y00R3981	14 29	1C02
114250-92311	INSTALLING TOOL	Y00R3981	41 7	1E02				28 29	1E01
114250-92350	INSTALLING TOOL	Y00R3981	14 14	1C02				41 27	1E02
114250-92600	BAG, TOOL	Y00R3981	14 15	1C02	114268-13500	MUFFLER W/COVER	Y00R3981	3 288	1B05
114250-92600	BAG, TOOL	Y00R3981	14 16	1C02	114268-13510	MUFFLER COVER	Y00R3981	3 298	1B05
114250-92600	BAG, TOOL	Y00R3981	14 1	1C02	114268-13700	COVER, MUFFLER	Y00R3981	3 308	1B05
114252-12010	PIPE, AIR INTAKE	Y00R3981	28 1	1E01				17 38	1D05
114252-12210	GASKET, AIR CLEANER	Y00R3981	41 1	1E02	114268-13800	EXTENSION, EXH.	Y00R3981	3 38	1B05
114252-12550	WING NUT M8	Y00R3981	3 5	1B05	114268-66200	SPRING, RETURN	Y00R3981	17 40	1D05
114252-12560	WASHER, SEAL	Y00R3981	14 41B	1C02	114268-92300	GUIDE, OIL SEAL	Y00R3981	33 45	1F08
114252-12660	CAP, AIR CLEANER	Y00R3981	31 10	1F05	114270-07050	LABEL, (L40A)	Y00R3981	14 13	1C02
114252-12700	CLEANER ASSY. OILBATH	Y00R3981	31 9	1F05	114350-01200	STUD, CYL. HEAD	Y00R3981	15 1	1D03
114252-12860	ELEMENT, AIR CLEANER	Y00R3981	3 15	1B05	114350-01210	STUD, CYL. HEAD	Y00R3981	15 2	1D03
114252-55800	NUT	Y00R3981	17 16	1B05	114350-01220	NUT 9	Y00R3981	15 3	1D03
			3 13	1B05	114350-01250	NUT 9	Y00R3981	15 4	1D03
			3 19	1B05	114350-01340	GASKET, CYL. HEAD	Y00R3981	15 6A	1D03
			10 19	1B13				28 31A	1E01
			11 19	1B14	114350-01380	O-RING	Y00R3981	15 7	1D03
			24 19	1D12				28 32	1E01
			25 19	1D13	114350-01411	GASKET, CRANK CASE	Y00R3981	15 8A	1D03
			37 20	1F13				28 33A	1E01
114252-66252	SPRING, RETURN	Y00R3981	38 19	1F14	114350-01412	GASKET, CRANK CASE	Y00R3981	15 88	1D03
114253-77410	BRACKET	Y00R3981	6 24	1B08				28 33B	1E01
			20 24	1B08	114350-01452	COVER (S), CRANK CASE	Y00R3981	15 9C	1D03
			33 24	1F08	114350-01700	COVER, STARTER	Y00R3981	1 38	1B03
			12 27	1B15				15 38	1D03
			13 25	1E01				29 3	1F03
			26 27	1D14	114350-02100	BEARING, MAIN	Y00R3981	15 11	1D03
			27 25	1D16	114350-02113	BALL BEARING	Y00R3981	15 30	1D03
			39 27	1F15	114350-02200	MAIN BEARING US=0.25	Y00R3981	15 40	1D03
			40 25	1E01	114350-02210	MAIN BEARING US=0.50	Y00R3981	15 41	1D03
			12 28	1B15	114350-11021	HEAD ASSY, CYLINDER	Y00R3981	16 1	1D04
			26 28	1D14	114350-11101	VALVE, SUCTION	Y00R3981	16 3	1D04
			12 30	1B15	114350-11113	VALVE, EXHAUST	Y00R3981	16 4	1D04
			26 30	1D14	114350-11120	SPRING, VALVE	Y00R3981	16 5	1D04
			6 33B	1B08	114350-11340	SEAL, VALVE STEM	Y00R3981	16 11	1D04
			20 33B	1D08				28 37	1E01
			6 34B	1B08	114350-11470	SPACER, NOZZLE	Y00R3981	2 13	1B04
			20 34B	1D08				16 13	1D04
			6 26	1B08				30 15	1F04
			20 26	1D08	114350-12011	PIPE, AIR INTAKE	Y00R3981	17 1	1D05
114260-01453	COVER (D), CRANK CASE	Y00R3981	1 9A	1B03	114350-12200	GASKET, AIR INTAKE	Y00R3981	17 3	1D05
114268-07240	LABEL, CAUTION	Y00R3981	14 22	1C02				28 41A	1E01
			28 22	1E01	114350-12201	GASKET, AIR INTAKE	Y00R3981	17 4	1D05

(MF NO. Y00R3981)

+-----+
| 1L07 |
+-----+

*** PARTS INDEX ***

91-07.02

P. 7

PART NO.	DESCRIPTION	CATALOG NO.	GRP. REF. NO.	LOC NO.	PART NO.	DESCRIPTION	CATALOG NO.	GRP. REF. NO.	LOC. NO.
114350-12201	GASKET, AIR INTAKE	Y00R3981	28 41B	1E01	114351-77700	HARNES, WIRE	Y00R3981	39 29	1F15
114350-14450	ROD, PUSH	Y00R3981	18 5	1D06				40 27	1G01
114350-22301	PIN, PISTON D=21	Y00R3981	19 13	1D07	114351-78250	DYNAMO ASSY	Y00R3981	12 36	1B15
114350-45320	RUBBER, SEAL	Y00R3981	21 6	1D09				26 36	1D14
			34 7	1F10				39 41	1F15
114350-45340	COLLAR	Y00R3981	21 8	1D09	114351-78260	DYNAMO ASSY (12V-3A)	Y00R3981	12 39	1B15
			34 9	1F10				13 38	1G01
114350-51200	BODY, F.I. PUMP	Y00R3981	22 5	1D10				26 39	1D14
114350-53000	NOZZLE ASSY, F. INJECT	Y00R3981	22 20	1D10				27 38	1D16
114350-55120	FILTER, FUEL OIL	Y00R3981	23 20	1D11				39 44	1F15
			24 13	1D12				40 41	1G01
114350-55150	PIPE, GAUGE	Y00R3981	25 13	1D13	114351-78290	DYNAMO ASSY (12V-15A)	Y00R3981	39 47	1F15
			24 8	1D12	114351-78750	STATOR ASSY	Y00R3981	12 37	1B15
114350-55231	STAY (B)	Y00R3981	25 8	1D13				26 37	1D14
			24 16	1D12				39 42	1F15
114350-59800	PIPE, FUEL INJECTION	Y00R3981	25 16	1D13	114351-78760	WHEEL, DYNAMO	Y00R3981	12 38	1B15
			24 30	1D12				26 38	1D14
			25 30	1D13				39 43	1F15
114350-76590	PULLEY, STARTER	Y00R3981	21 34	1D09	114351-78770	STATOR ASSY, (132-1MM)	Y00R3981	12 40	1B15
114350-92301	GUIDE, OIL SEAL	Y00R3981	28 14	1E01				13 39	1G01
114350-92311	INSTALLING TOOL	Y00R3981	28 15	1E01				26 40	1D14
114350-92350	INSTALLING TOOL	Y00R3981	28 16	1E01				27 39	1D16
114351-77010	STARTER (S114-413A)	Y00R3981	12 2	1B15				39 45	1F15
			13 2	1G01				40 42	1G01
			26 2	1D14	114351-78780	WHEEL (STATOR) 132-1MM	Y00R3981	12 41	1B15
			27 2	1D16				13 40	1G01
			39 2	1F15				26 41	1D14
114351-77500	PANEL ASSY, KEYSWITCH	Y00R3981	40 2	1G01				27 40	1D16
			12 46	1B15				39 46	1F15
			13 26	1G01				40 43	1G01
			26 46	1D14	114351-78830	STATOR ASSY, (132-1MM)	Y00R3981	39 48	1F15
			27 26	1D16	114351-78840	WHEEL (STATOR) 132-1MM	Y00R3981	39 49	1F15
			39 28	1F15	114352-12010	PIPE, AIR INTAKE	Y00R3981	17 2	1D05
114351-77540	HARNES, WIRE	Y00R3981	40 26	1G01	114352-12210	GASKET, AIR CLEANER	Y00R3981	17 6	1D05
			13 31	1G01				28 42C	1E01
			27 31	1D16	114352-12700	CLEANER ASSY, OILBATH	Y00R3981	17 14	1D05
			39 33	1F15	114352-12720	ELEMENT, AIR CLEANER	Y00R3981	17 20	1D05
			40 31	1G01	114360-01453	COVER (D), CRANK CASE	Y00R3981	15 9B	1D03
114351-77620	BRACKET, ST-SWITCH	Y00R3981	12 53	1B16	114360-45101	CASE (D), COOLING FAN	Y00R3981	21 1	1D09
			15 45	1G01	114360-59060	PIPE, FUEL OIL	Y00R3981	24 28	1D12
			26 53	1D15				25 28	1D13
			27 45	1D16	114362-77010	STARTER (S114-414A)	Y00R3981	12 1	1B15
			39 54	1F16				13 1	1G01
114351-77630	WASHER	Y00R3981	40 34	1G01				26 1	1D14
			12 54	1B16				27 1	1D16
			13 46	1G01				39 1	1F15
			26 54	1D15	114368-01452	COVER (D), CRANK CASE	Y00R3981	40 1	1G01
			27 46	1D16	114368-13500	MUFFLER W/COVER	Y00R3981	15 9	1D03
			39 55	1F16	114368-13510	MUFFLER	Y00R3981	17 36	1D05
			40 35	1G01	114368-92300	GUIDE, OIL SEAL	Y00R3981	17 37	1D05
114351-77700	HARNES, WIRE	Y00R3981	12 49	1B15	114370-07050	LABEL (L60A)	Y00R3981	28 13	1E01
			13 27	1G01	114385-77400	BRACKET	Y00R3981	28 17A	1E01
			26 49	1D14				12 27-1	1B15
			27 27	1D16				13 25-1	1G01

+-----+
| 1L08 |
+-----+

PART NO.	DESCRIPTION	CATALOG NO.	GRP. REF. NO.	LOC NO.	PART NO.	DESCRIPTION	CATALOG NO.	GRP. REF. NO.	LOC. NO.
114385-77400	BRACKET	Y00R3981	26	1D14	114650-45200	COVER, CYLINDER	Y00R3981	34	4
			27	1D16	114650-45330	SEAL, FAN CASE	Y00R3981	34	8
			39	1F15	114650-51100	BODY, F.I. PUMP	Y00R3981	35	4A
114550-01340	GASKET, CYL. HEAD	Y00R3981	40	1G01	114650-51300	VALVE ASSY, DELIVERY	Y00R3981	35	10
			29	10A				36	10
			41	29A	114650-53000	NOZZLE ASSY, F. INJECT	Y00R3981	35	25
114550-11010	HEAD ASSY, CYLINDER	Y00R3981	30	1F04				36	25
114554-01451	COVER(OP), CRANKCASE	Y00R3981	29	13B	114650-53300	HOLDER ASSY, NOZZLE	Y00R3981	35	33
114570-07050	LABEL, (L75A)	Y00R3981	41	17				36	33
114650-01230	STUD, CYL. HEAD	Y00R3981	29	6	114650-55120	FILTER, FUEL OIL	Y00R3981	37	14
114650-01240	STUD, CYL. HEAD	Y00R3981	29	7				38	13
114650-01250	NUT 10	Y00R3981	29	8	114650-55150	PIPE, GAUGE	Y00R3981	37	9
114650-01260	WASHER	Y00R3981	29	9				38	8
114650-01340	GASKET, CYL. HEAD	Y00R3981	29	10B	114650-55230	STAY (B)	Y00R3981	37	17
			41	29B				38	16
114650-01380	O-RING	Y00R3981	29	11	114650-55810	BOLT, LIFTING	Y00R3981	10	20
			41	30				11	20
114650-01411	GASKET, CRANK CASE	Y00R3981	29	12A				24	20
			41	31B				25	20
114650-01412	GASKET, CRANK CASE	Y00R3981	29	12B				37	21
			41	31A				38	20
114650-01452	COVER (S), CRANK CASE	Y00R3981	29	13C	114650-59800	PIPE, FUEL INJECTION	Y00R3981	37	34
114650-02100	BEARING, MAIN	Y00R3981	29	15	114650-59810	PIPE, FUEL INJECTION	Y00R3981	38	33
114650-02150	BALL BEARING	Y00R3981	29	35	114650-66150	LEVER, STOP	Y00R3981	33	47
114650-02200	MAIN BEARING US=0.25	Y00R3981	29	41	114650-66500	TORQUE SPRING ASSY	Y00R3981	33	31
114650-02210	MAIN BEARING US=0.50	Y00R3981	29	42	114650-66600	TORQUE SPRING ASSY	Y00R3981	33	43
114650-11010	HEAD ASSY, CYLINDER	Y00R3981	30	2	114650-76050	RECOIL STARTER(S)ASY	Y00R3981	34	16B
114650-11100	VALVE, SUCTION	Y00R3981	30	6	114650-76250	RECOIL STARTER(S)ASY	Y00R3981	34	17B
114650-11121	SPRING, VALVE	Y00R3981	30	8	114650-76520	REEL, RECOIL	Y00R3981	34	21
114650-11261	SUPPORT, ROCKER ARM	Y00R3981	30	12	114650-76540	SPRING, SPIRAL	Y00R3981	34	23
114650-11310	GASKET, BONNET	Y00R3981	30	32	114650-76630	ROPE, RECOIL STARTER	Y00R3981	34	30
			41	37	114650-92300	GUIDE, OIL SEAL	Y00R3981	41	14
114650-11340	SEAL, VALVE STEM	Y00R3981	30	13	114650-92310	INSTALLING TOOL	Y00R3981	41	15
			41	35	114650-92350	INSTALLING TOOL	Y00R3981	41	16
114650-11600	WASHER	Y00R3981	30	16	114651-21592	FLYWHEEL(SE), W/GEAR	Y00R3981	32	25
114650-11652	ARM ASSY, INTAKE	Y00R3981	30	17	114652-59300	PIPE, FUEL RETURN	Y00R3981	37	29
114650-11950	BONNET ASSY, HEAD	Y00R3981	30	33				38	28
114650-11951	BONNET ASSY, HEAD	Y00R3981	30	33-1				37	32
114650-12020	PIPE, AIR INTAKE	Y00R3981	31	1	114652-59310	TUBE, PROTECT	Y00R3981	38	31
114650-12210	GASKET, AIR CLEANER	Y00R3981	31	2				33	49
			41	39	114652-66871	LEVER, REGULATOR	Y00R3981	33	50
114650-12300	GASKET, AIR INTAKE	Y00R3981	31	3	114652-66881	BLACKET, LEVER	Y00R3981	33	50
			41	38	114654-11110	VALVE, EXHAUST	Y00R3981	30	7
114650-12520	COVER, AIR CLEANER	Y00R3981	31	6	114654-45180	COVER, DUST	Y00R3981	34	3
114650-12530	CASE, AIR CLEANER	Y00R3981	31	7	114654-66140	PIECE	Y00R3981	33	46
114650-12590	ELEMENT W/PRE-FILTER	Y00R3981	31	8	114658-13800	EXTENSION, EXH.	Y00R3981	31	20
114650-13200	GASKET, MUFFLER	Y00R3981	31	14	114658-45102	CASE(S), COOLING FAN	Y00R3981	34	2
			41	40	114660-01470	COVER (D), CRANK CASE	Y00R3981	29	13A
					114660-21401	FLYWHEEL (D)	Y00R3981	32	21
114650-14200	TAPPET, SUCL./EXH.	Y00R3981	32	4	114660-76050	RECOIL STARTER(D)ASY	Y00R3981	34	16A
114650-14401	ROD, PUSH	Y00R3981	32	6	114660-76250	RECOIL STARTER(D)ASY	Y00R3981	34	17A
114650-21401	FLYWHEEL (S)	Y00R3981	32	24	114660-76590	PULLEY, STARTER	Y00R3981	34	34
114650-21551	WASHER, FLYWHEEL	Y00R3981	32	11	114662-21592	FLYWHEEL(DE) W/GEAR	Y00R3981	32	22
114650-22300	PIN, PISTON	Y00R3981	32	43	114668-45102	CASE(D), COOLING FAN	Y00R3981	34	1
114650-32010	PUMP ASSY, LUB. OIL	Y00R3981	33	1	114668-92300	GUIDE, OIL SEAL	Y00R3981	41	13

-----+
 | 1L10 |
 +-----+

(MF NO. Y00R3981)

PART NO.	DESCRIPTION	CATALOG NO.	GRP. REF. NO.	LOC.	PART NO.	DESCRIPTION	CATALOG NO.	GRP. REF. NO.	LOC.
160260-76590	PLATE, FRICTION	Y00R3981	7 26	B10	160970-77350	RECTIFIER	Y00R3981	26 25	1D14
160260-76600	CIRCLIP (E)	Y00R3981	7 27	B10				39 25	1F15
160260-76620	KNOB, STARTER	Y00R3981	7 29	B10	181130-76680	NUT	Y00R3981	21 32	1D09
160260-76630	ROPE, STARTER	Y00R3981	7 30	B10	181130-76700	WASHER	Y00R3981	21 33	1D09
160290-76570	SPRING, RETURN	Y00R3981	7 23	B10	183250-07110	LABEL, YANMAR	Y00R3981	41 20B	1602
160310-14550	WASHER	Y00R3981	4 19	B06	183250-07230	LABEL, OPERATION	Y00R3981	14 21	1C02
160330-92730	SCREWDRIVER	Y00R3981	18 18	D06				28 21	1E01
			14 2	1C02				41 21	1602
			28 2	1E01	183250-39450	SWITCH, OIL PRESSURE	Y00R3981	1 21A	1B03
			41 2	1602				15 21A	1D03
160642-21150	KEY 4-7X30	Y00R3981	4 16	B06				29 26	1F03
160642-21250	BOLT 5/15-24UNF	Y00R3981	4 17	B06	183250-51400	BODY, F. I. PUMP	Y00R3981	9 5	1B12
160710-01760	CAP, W/LUB.OIL GAUGE	Y00R3981	1 13	B03	183250-66050	HANDLE, REGULATOR	Y00R3981	20 34A	1D08
160710-78710	CLAMP, CORD	Y00R3981	12 42	B15				33 34	1F08
			13 41	1C01				6 35	1B08
			26 42	1D14	183250-66070	SHAFT, HANDLE	Y00R3981	6 35	1B08
			27 41	1D16				20 35	1D08
			34 39	1F10				33 35	1F08
			39 50	1F15	183250-66100	BRACKET, REGULATOR	Y00R3981	6 36	1B08
			40 44	1G01				20 36	1D08
			6 45	1B08				33 36	1F08
160725-78350	KNOB (W/M6X15)	Y00R3981	20 45	D08	183250-66500	BRACKET ASSY, REGULAT	Y00R3981	6 33A	1B08
			33 53	1F08				20 33A	1D08
			21 22	1D09				33 33	1F08
160810-76520	REEL, RECOIL	Y00R3981	21 24	D09	183279-08350	NIPPLE	Y00R3981	29 27	1F03
160810-76530	RATCHET	Y00R3981	21 25	D09	183350-51400	BODY, F. I. PUMP	Y00R3981	23 5	1D11
160810-76540	SPRING, SPIRAL	Y00R3981	21 25	D09	183350-77400	WIRE, LEAD	Y00R3981	12 26	1B15
160810-76560	SPRING, FRICTION	Y00R3981	21 27	D09				26 26	1D14
160810-76580	PLATE, FRICTION	Y00R3981	21 28	D09				39 26	1F15
160810-76620	KNOB, STARTER	Y00R3981	21 30	D09	183650-51400	BODY, F. I. PUMP	Y00R3981	36 4A	1F12
160810-76630	ROPE, STARTER	Y00R3981	21 31	D09	183720-55210	GROMMET	Y00R3981	21 9	1D09
160820-12300	BAND	Y00R3981	3 14	B05				34 10	1F10
			17 15	1D05				36 4B	1F12
160820-12770	POT, OIL AIR CLEANER	Y00R3981	3 17	B05	183986-51400	BODY, F. I. PUMP	Y00R3981	10 21	1B13
			17 18	1D05	22117-060000	WASHER 6	Y00R3981	11 21	1B14
			3 18	1B05				24 21	1D12
160820-12780	RING	Y00R3981	17 19	D05				25 21	1D13
			21 23	D09				37 22	1F13
160840-76530	RATCHET	Y00R3981	21 26	D09				38 21	1F14
160840-76560	SPRING, FRICTION	Y00R3981	18 15	D06				10 22	1B13
160842-21150	KEY 6.3X50	Y00R3981	32 18	F06	22117-080000	WASHER 8	Y00R3981	11 22	1B14
			32 19	F06				24 22	1D12
160842-21250	BOLT 7/16-20UNF	Y00R3981	18 16	D06				25 22	1D13
			32 19	F06				37 23	1F13
160842-21260	WASHER	Y00R3981	18 19	D06				38 22	1F14
			32 20	F06				6 19	1B08
160910-01740	CAP, W/LUB.OIL GAUGE	Y00R3981	15 13	D03	22137-080000	WASHER 8, POLISHED	Y00R3981	20 19	1D08
			29 17	F03				33 18	1F08
160910-76530	RATCHET	Y00R3981	34 22	F10				34 32	1F10
160910-76550	WASHER, THRUST	Y00R3981	34 24	F10				3 21	1B05
160910-76560	SPRING, FRICTION	Y00R3981	34 25	F10	22217-060000	SPRING WASHER 6	Y00R3981	17 23	1D05
160910-76570	SPRING, RETURN	Y00R3981	34 26	F10	22217-080000	SPRING WASHER 8	Y00R3981	5 14	1B07
160910-76580	PLATE, FRICTION	Y00R3981	34 27	F10				19 14	1D07
160910-76620	KNOB, STARTER	Y00R3981	34 29	F10	22252-000190	CIRCLIP 19	Y00R3981	19 14	1D07
160910-76650	WASHER (B)	Y00R3981	34 31	F10	22252-000210	CIRCLIP 21	Y00R3981	5 20	1B07
160970-77350	RECTIFIER	Y00R3981	12 25	B15	22312-030080	PARALLEL PIN 3X 8	Y00R3981		

+-----+
 | 1L11 |
 +-----+

PART NO.	DESCRIPTION	CATALOG NO.	GRP. REF. NO.	LOC NO.	PART NO.	DESCRIPTION	CATALOG NO.	GRP. REF. NO.	LOC. NO.
22312-030080	PARALLEL PIN 3X 8	Y00R3981	19 20	1D07	24101-062060	BALL BEARING	Y00R3981	15 33	1F03
22312-030160	PARALLEL PIN 3X16	Y00R3981	2 37	1B04	24101-062070	BALL BEARING	Y00R3981	29 36	1F03
			6 5	1B08	24162-152112	NEEDLE BEARING	Y00R3981	1 34	1B03
			16 37	1D04				15 34	1D03
			20 5	1D08				29 37	1F03
			30 37	1F04	24311-000180	O-RING 1A P-18.0	Y00R3981	1 14	1B03
22312-080120	PARALLEL PIN 8X12	Y00R3981	33 5	1F08				14 34	1C02
			1 22	1B03				15 14	1D03
			15 22	1D03				28 34	1E01
22351-020006	SPRING PIN 2X 6	Y00R3981	29 28	1F03				29 19	1F03
			8 17	1B11				41 32	1E02
			9 17	1B12	24341-000150	O-RING 1A S-15.0	Y00R3981	10 18	1B13
			22 17	1D10				11 18	1B14
			23 17	1D11				24 18	1D12
			35 22	1F11				25 18	1D13
22351-030008	SPRING PIN 3X 8	Y00R3981	36 22	1F12				37 19	1F13
			8 18	1B11				38 18	1F14
			9 18	1B12	24341-000224	O-RING 1A S-22.4	Y00R3981	6 10	1B08
			22 18	1D10				20 10	1D08
			23 18	1D11				33 10	1F08
			35 23	1F11	24423-355008	SEAL, OIL	Y00R3981	29 38	1F03
22351-040008	SPRING PIN 4X 8	Y00R3981	36 23	1F12	26023-040102	SCREW M 4X 10	Y00R3981	12 31	1B15
			2 26	1B04				13 34	1C01
			16 26	1D04				26 31	1D14
			30 26	1F04				27 34	1D16
			6 46	1B08				39 36	1F15
			20 46	1D08				40 37	1E01
22512-040120	KEY 4X 12	Y00R3981	33 54	1F08	26106-060082	BOLT M 6X 8 PLATED	Y00R3981	3 31	1B05
			4 15	1B06				3 37	1B05
			18 14	1D06				7 34	1B10
22512-050140	KEY 5X 14	Y00R3981	32 27	1F06				17 35	1D05
22512-050300	KEY 5X 30	Y00R3981	4 7	1B06				39 39	1D05
22512-070140	KEY 7X 14	Y00R3981	32 28	1F06				21 37	1D09
22512-070360	KEY 7X 36	Y00R3981	18 7	1D06				34 12	1F10
			32 8	1F06				37 37	1F10
23414-120000	GASKET 12, ROUND	Y00R3981	10 10	1B13	26106-060122	BOLT M 6X 12 PLATED	Y00R3981	3 39	1B05
			11 10	1B14				6 11A	1B08
			24 10	1D12				7 35	1B10
			25 10	1D13				12 32	1B15
			37 11	1F13				34- 1	1B15
			38 10	1F14				13 36- 1	1C01
23871-010000	PLUG PT1/8, SCREW	Y00R3981	1 21B	1B03				17 41	1D05
			15 21B	1D03				20 11A	1D08
			29 29	1F03				21 38	1D09
23887-120002	PLUG 12, HEX.	Y00R3981	10 11	1B13				26 32	1D14
			11 11	1B14				34- 1	1D14
			24 11	1D12				27 36- 1	1D16
			25 11	1D13				33 11A	1F08
			37 12	1F13				55	1F08
			38 11	1F14				34 38	1F10
24101-062024	BALL BEARING	Y00R3981	4 30	1B06				39 37	1F15
			18 30	1D06				40	39- 1
24101-062034	BALL BEARING	Y00R3981	32 55	1F07				39- 1	1G01
24101-062050	BALL BEARING	Y00R3981	1 33	1B03	26106-060162	BOLT M 6X 16 PLATED	Y00R3981	6 11B	1B08

+-----+
| 1L12 |
+-----+

PART NO.	DESCRIPTION	CATALOG NO.	GRP. REF. NO.	LOC NO.	PART NO.	DESCRIPTION	CATALOG NO.	GRP. REF. NO.	LOC. NO.
26106-060162	BOLT M 6X 16 PLATED	Y00R3981	20	118	26106-100122	BOLT M10X 12 PLATED	Y00R3981	29	4
			33	118	26106-100252	BOLT M10X 25 PLATED	Y00R3981	32	9
26106-060202	BOLT M 6X 20 PLATED	Y00R3981	6	47	26106-100302	BOLT M10X 30 PLATED	Y00R3981	12	35
			12	33				13	37
			13	35				26	35
			20	47				27	37
			26	33				39	40
			27	35				40	40
			33	56				30	27
			39	38	26106-100552	BOLT M10X 55 PLATED	Y00R3981	6	49
			40	38	26116-040088	BOLT M 4X 8 PLATED	Y00R3981	20	49
26106-060252	BOLT M 6X 25 PLATED	Y00R3981	1	23				33	59
			3	22	26116-060454	BOLT M 6X 45 PLATED	Y00R3981	14	9
			12	34				28	9
			13	36				41	9
			17	24	26116-080454	BOLT M 8X 45 PLATED	Y00R3981	14	10
			26	34				28	10
			27	36				41	10
			31	11	26216-080182	STUD M 8X 18 PLATED	Y00R3981	2	28
			39	39				3	23
			40	39				16	28
26106-060302	BOLT M 6X 30 PLATED	Y00R3981	33	57				17	25
26106-060452	BOLT M 6X 45 PLATED	Y00R3981	6	48	26226-060142	STUD M 6X 14 PLATED	Y00R3981	3	24
			20	48				17	26
			33	58				31	12
26106-060552	BOLT M 6X 55 PLATED	Y00R3981	2	39	26226-060182	STUD M 6X 18 PLATED	Y00R3981	1	25
			16	39				15	25
26106-060702	BOLT M 6X 70 PLATED	Y00R3981	12	55				29	31
			13	47	26226-060222	STUD M 6X 22 PLATED	Y00R3981	1	26
			26	55				15	26
			27	47				29	32
			30	39	26226-060502	STUD M 6X 50	Y00R3981	2	29
			39	56				16	29
			40	36				30	28
26106-080122	BOLT M 8X 12 PLATED	Y00R3981	1	35	26226-060552	STUD M 6X 55	Y00R3981	2	30
			15	35				16	30
26106-080162	BOLT M 8X 16 PLATED	Y00R3981	29	39	26226-060752	STUD M 6X 75	Y00R3981	30	29
26106-080202	BOLT M 8X 20 PLATED	Y00R3981	31	21	26226-080202	STUD M 8X 20 PLATED	Y00R3981	30	30
			4	8	26346-060002	U-NUT M 6 PLATED	Y00R3981	6	50
			18	8				20	50
			32	29				33	60
26106-080352	BOLT M 8X 35 PLATED	Y00R3981	1	24	26366-060002	NUT M 6	Y00R3981	1	27
			15	24				2	31
			29	30				3	25
26106-080452	BOLT M 8X 45 PLATED	Y00R3981	2	27				10	24
			10	23				11	24
			16	27				15	27
			24	23				17	27
			37	24				25	24
			38	23				29	33
26106-100122	BOLT M10X 12 PLATED	Y00R3981	1	39				30	31
			15	39				31	13

PART NO.	DESCRIPTION	CATALOG NO.	GRP. REF. NO.	LOC. NO.	PART NO.	DESCRIPTION	CATALOG NO.	GRP. REF. NO.	LOC. NO.
26366-060002	NUT M 6	Y00R3981	37 25	1F13	26716-080002	NUT M 8	Y00R3981	28 12	1E01
26366-080002	NUT 8	Y00R3981	38 24	1F14				41 12	1E02
			40	1B05	26717-060002	NUT M 6	Y00R3981	34 33	1F10
			17 42	1D05	26756-060002	LOCK NUT M 6 PLATED	Y00R3981	2 18	1B04
26476-060142	BOLT M 6X 14, TAPPING	Y00R3981	31 22	1F05				22 22	1B04
			6 6	1B08				6 32	1B08
			51	1B08				42	1B08
			7 8	1B10				16 18	1B04
			10 25	1B13				22	1D04
			11 25	1B14				20 32	1D08
			12 43	1B15				42	1D08
			13 42	1C01				30 19	1F04
			20 6	1D08				22	1F04
			51	1D08	26757-060002	LOCK NUT M 6 PLATED	Y00R3981	33 29	1F08
			24 25	1D12				42	1F08
			25 25	1D13				64	1F09
			26 43	1D14	27310-060001	COTTER ASSY	Y00R3981	16 7	1D04
			27 42	1D16	27310-070001	COTTER 7	Y00R3981	30 10	1F04
			33 6	1F08	28110-100120	WRENCH 10X12	Y00R3981	14 3	1C02
			61	1F09				28 3	1E01
			37 26	1F13				41 3	1E01
			38 25	1F14	28110-140170	WRENCH 14X17	Y00R3981	14 4	1C02
			39 51	1F16				28 4	1E01
			40 45	1G01				41 4	1E01
26476-060202	BOLT M 6X 20, TAPPING	Y00R3981	12 44	1B15	28210-000150	FEEDER, OIL	Y00R3981	14 5	1C02
			13 43	1C01				28 5	1E01
			21 11	1D09				41 5	1E01
			26 44	1D14	29220-083200	BULB (12V/3.4W)	Y00R3981	12 50	1B15
			27 43	1D16				13 28	1C01
			33 62	1F09				26 50	1D14
			34 13	1F10				27 28	1D16
			39 52	1F16				39 30	1F15
			40 46	1G01				40 28	1E01
26476-060252	BOLT M 6X 25, TAPPING	Y00R3981	7 9	1B10	29411-150000	FUSE (15A), CARTRIDGE	Y00R3981	12 29	1B15
			21 12	1D09				13 32	1C01
			34 14	1F10				26 29	1D14
26577-060142	SCREW M 6X 14	Y00R3981	12 45	1B15				27 32	1D16
			13 44	1C01				39 34	1F15
			26 45	1D14	43400-500490	SEAL WASHER 16	Y00R3981	40 32	1G01
			27 44	1D16				1 28	1B03
			39 53	1F16				14 36	1C02
			40 47	1G01				15 28	1D03
26696-100002	NUT M10	Y00R3981	6 41	1B08				28 36	1E01
			52	1B08				29 40	1F03
			20 41	1D08				41 34	1G02
			52	1D08	714250-11570	COTTER	Y00R3981	2 7	1B04
			33 41	1F08	714250-12560	CLEANER ASSY, AIR	Y00R3981	3 6A	1B05
			63	1F09				17 7A	1D05
26716-060002	NUT M 6	Y00R3981	14 11	1C02	714250-22502	RING SET, PISTON	Y00R3981	5 3A	1B07
			28 11	1E01	714250-22542	RING SET 0.5=0.25	Y00R3981	5 7A	1B07
			41 11	1G02	714250-22550	RING SET 0.5=0.50	Y00R3981	5 11A	1B07
26716-080002	NUT M 8	Y00R3981	3 26	1B05	714250-23600	BEARING, CRANKPIN	Y00R3981	5 21	1B07
			14 12	1C02	714250-23610	BEARING, PIN(U.S=0.25	Y00R3981	5 23	1B07
			17 28	1D05	714250-23620	BEARING, PIN(U.S=0.50	Y00R3981	5 25	1B07

+-----+
| 1L14 |
+-----+

PART NO.	DESCRIPTION	CATALOG NO.	GRP. NO.	REF. NO.	LOC. NO.	I	PART NO.	DESCRIPTION	CATALOG NO.	GRP. NO.	REF. NO.	LOC. NO.
714250-23703	ROD ASSY, CONNECTING	Y00R3981	5	15	1807	I	714368-55750	TANK ASSY, FUEL(DV)	Y00R3981	24	1C	1D12
714250-51710	PUMP ASSY, F. INJECT.	Y00R3981	8	1	1811	I	714370-11660	ARM ASSY, EXHAUST	Y00R3981	16	19	1D04
714250-53100	VALVE ASSY, F. INJECT	Y00R3981	8	19	1811	I	714370-22580	PISTON W/RING(OS=0.50)	Y00R3981	19	9C	1D07
714250-55711	TANK ASSY, FUEL(D/S)	Y00R3981	9	19	1812	I	714370-22620	PISTON W/RING(OS=0.25)	Y00R3981	19	5C	1D07
714250-61500	LEVER ASSY, GOVERNOR	Y00R3981	6	12	1808	I	714370-22720	PISTON W/RINGS	Y00R3981	19	1C	1D07
714250-76810	RECOIL STARTER(S)ASY	Y00R3981	7	11B	1810	I	714371-01560	GASKET SET	Y00R3981	28	30A	1E01
714250-76820	RECOIL STARTER(S)ASY	Y00R3981	7	12B	1810	I	714378-21710	BLOCK ASSY, CYLINDER	Y00R3981	15	36A	1D03
714250-76821	RECOIL STARTER(S)ASY	Y00R3981	7	12B-1	1810	I	714380-22580	CRANKSHAFT ASSY(S/SE)	Y00R3981	18	13	1D06
714250-76830	CASE (S) W/LABEL	Y00R3981	7	14	1810	I	714380-22620	PISTON W/RING(OS=0.5)	Y00R3981	19	9A	1D07
714250-76831	CASE (S) W/LABEL	Y00R3981	7	14-1	1810	I	714380-22720	PISTON W/RING(OS=0.25)	Y00R3981	19	5A	1D07
714258-55701	TANK ASSY, FUEL(D/DF)	Y00R3981	10	1D	1813	I	714388-21700	PISTON W/RINGS	Y00R3981	19	1A	1D07
714260-76810	RECOIL STARTER(D)ASY	Y00R3981	7	11A	1810	I	714388-21750	CRANKSHAFT ASSY(D/DE)	Y00R3981	18	9	1D06
714260-76820	RECOIL STARTER(D)ASY	Y00R3981	7	12A	1810	I	714388-21740	CRANKSHAFT ASSY(DGMO)	Y00R3981	18	10	1D06
714260-76821	RECOIL STARTER(D)ASY	Y00R3981	7	12A-1	1810	I	714388-21760	CRANKSHAFT ASSY(DV/DF)	Y00R3981	18	11	1D06
714260-76830	CASE (D) W/LABEL	Y00R3981	7	13	1810	I	714550-22502	CRANKSHAFT ASSY(DP)	Y00R3981	18	12	1D06
714260-76831	CASE (D) W/LABEL	Y00R3981	7	13-1	1810	I	714550-22542	RING SET, PISTON	Y00R3981	32	32A	1F06
714268-12581	CLEANER ASSY, AIR	Y00R3981	3	6B	1805	I	714550-22550	RING SET 0.5=0.50	Y00R3981	32	36A	1F06
714268-55701	TANK ASSY, (DTM/STM)	Y00R3981	17	7B	1805	I	714550-22580	PISTON W/RINGS	Y00R3981	32	40A	1F06
714268-55711	TANK ASSY, FUEL(DGMO)	Y00R3981	11	1	1814	I	714550-22624	PISTON W/RINGS	Y00R3981	32	38D	1F06
714268-55751	TANK ASSY, FUEL(DV)	Y00R3981	10	1B	1813	I	714550-22723	PISTON W/RING(OS=0.25)	Y00R3981	32	34D	1F06
714268-66500	BRACKET ASSY, REGULAT	Y00R3981	10	1C	1813	I	714550-51700	PISTON W/RINGS	Y00R3981	32	30D	1F06
714270-11660	ARM ASSY, EXHAUST	Y00R3981	33	25	1F08	I	714560-22624	FUEL ASSY, F. INJECT.	Y00R3981	35	1A	1F11
714270-22580	PISTON W/RING(OS=0.50)	Y00R3981	5	9C	1807	I	714560-22580	PISTON W/RING(OS=0.50)	Y00R3981	32	38A	1F06
714270-22620	PISTON W/RINGS	Y00R3981	5	5C	1807	I	714560-22624	PISTON W/RING(OS=0.25)	Y00R3981	32	34A	1F06
714270-22720	PISTON W/RINGS	Y00R3981	5	1C	1807	I	714560-22723	PISTON W/RINGS	Y00R3981	32	30A	1F06
714270-92600	GASKET SET	Y00R3981	14	30A	1C02	I	714569-55701	TANK ASSY, FUEL(D/S)	Y00R3981	37	1	1F13
714271-01560	BLOCK ASSY, CYLINDER	Y00R3981	1	36A	1803	I	714571-01560	GASKET SET	Y00R3981	29	1A	1F03
714278-21710	CRANKSHAFT ASSY(S)	Y00R3981	4	13	1806	I	714589-92600	CLEANER ASSY, AIR	Y00R3981	41	28A	1G02
714280-22580	PISTON W/RING OS=0.5	Y00R3981	5	9A	1807	I	714650-12560	RING SET, PISTON	Y00R3981	32	32B	1F06
714280-22620	PISTON W/RING OS=-.25	Y00R3981	5	5A	1807	I	714650-22542	RING SET 0.5=0.25	Y00R3981	32	36B	1F06
714288-21700	CRANKSHAFT ASSY (D/DE)	Y00R3981	4	9	1806	I	714650-22550	PISTON W/RING(OS=0.50)	Y00R3981	32	40B	1F06
714288-21730	CRANKSHAFT ASSY (DGMO)	Y00R3981	4	10	1806	I	714650-22580	PISTON W/RING(OS=0.50)	Y00R3981	32	38E	1F06
714288-21740	CRANKSHAFT ASSY (DV/DF)	Y00R3981	4	11	1806	I	714650-22624	PISTON W/RING(OS=0.25)	Y00R3981	32	34E	1F06
714288-21760	CRANKSHAFT ASSY (DP)	Y00R3981	4	12	1806	I	714650-22723	PISTON W/RINGS	Y00R3981	32	30E	1F06
714350-22502	RING SET, PISTON	Y00R3981	19	3A	1D07	I	714650-23600	BEARING, CRANKPIN	Y00R3981	32	49	1F07
714350-22542	RING SET 0.5=0.25	Y00R3981	19	7A	1D07	I	714650-23610	BEARING, PIN(U.S=0.25)	Y00R3981	32	51	1F07
714350-22550	RING SET (0.5 0.25)	Y00R3981	19	11A	1D07	I	714650-23620	BEARING, PIN(U.S=0.50)	Y00R3981	32	52	1F07
714350-23600	BEARING, CRANKPIN	Y00R3981	19	21	1D07	I	714650-23700	ROD ASSY, CONNECTING	Y00R3981	32	45	1F07
714350-23610	BEARING, PIN(U.S=0.25)	Y00R3981	19	23	1D07	I	714660-76821	PUMP ASSY, F. INJECT.	Y00R3981	35	1B	1F11
714350-23620	BEARING, PIN(U.S=0.50)	Y00R3981	19	25	1D07	I	714660-76831	VALVE ASSY, F. INJECT	Y00R3981	35	24	1F11
714350-23700	ROD ASSY, CONNECTING	Y00R3981	19	15	1D07	I	714660-76821	LEVER ASSY, GOVERNOR	Y00R3981	33	12	1F08
714350-51710	PUMP ASSY, F. INJECT.	Y00R3981	22	1A	1D10	I	714668-55721	RECOIL STARTER(S)ASY	Y00R3981	34	17B-1	1F10
714350-53100	VALVE ASSY, F. INJECT	Y00R3981	22	19	1D10	I	714668-55721	CASE (S) W/LABEL	Y00R3981	34	19	1F10
714350-55711	TANK ASSY, FUEL(D/S)	Y00R3981	23	19	1D11	I	714668-55721	PISTON W/RING(OS=0.5)	Y00R3981	32	38B	1F06
714350-61500	LEVER ASSY, GOVERNOR	Y00R3981	24	1A	1D12	I	714668-55721	PISTON W/RING(OS=-.25)	Y00R3981	32	34B	1F06
714358-55701	TANK ASSY, FUEL(D/DF)	Y00R3981	20	12	1D08	I	714660-76821	PISTON W/RINGS	Y00R3981	32	30B	1F06
714368-55701	TANK ASSY, FUEL(D/DF)	Y00R3981	24	10	1D12	I	714660-76831	RECOIL STARTER(D)ASY	Y00R3981	34	17A-1	1F10
714368-55721	TANK ASSY, FUEL(DGMO)	Y00R3981	25	1	1D13	I	714668-55700	CASE (D) W/LABEL	Y00R3981	34	18	1F10
			24	1B	1D12	I	714670-11660	TANK ASSY, (DTM/STM)	Y00R3981	38	1	1F14
			24	1B	1D12	I	714671-01560	TANK ASSY, FUEL(DGMO)	Y00R3981	37	2	1F13
			24	1B	1D12	I	714671-01560	ARM ASSY, EXHAUST	Y00R3981	30	20	1F04
			24	1B	1D12	I	714671-01560	BLOCK ASSY, CYLINDER	Y00R3981	29	1B	1F03

*** PARTS INDEX ***

-----+
 I 1L15 I
 +-----+

(MF NO. Y00R3981)

PART NO.	DESCRIPTION	CATALOG NO.	GRP. NO.	REF. NO.	LOC NO.	PART NO.	DESCRIPTION	CATALOG NO.	GRP. NO.	REF. NO.	LOC. NO.
714679-14580	CAMSHAFT(S) ASSY.	Y00R3981	32	2	1F06	714970-22500	RING SET, PISTON	Y00R3981	32	32C	1F06
714679-21710	CRANKSHAFT ASSY(S/SE	Y00R3981	32	16	1F06	714970-22540	RING SET (O.S 0.25)	Y00R3981	32	36C	1F06
714689-14580	CAMSHAFT(D) ASSY.	Y00R3981	32	1	1F06	714970-22550	RING SET O.S=0.5	Y00R3981	32	40C	1F06
714689-21700	CRANKSHAFT ASSY(D/DE	Y00R3981	32	12	1F06	714970-22580	PISTON W/RINGS .500S	Y00R3981	32	38F	1F06
714689-21720	CRANKSHAFT ASSY(EDPAC	Y00R3981	32	13	1F06	714970-22620	PISTON W/RING(OSO.25	Y00R3981	32	34F	1F06
714689-21730	CRANKSHAFT ASSY (DGM0	Y00R3981	32	14	1F06	714970-22720	PISTON W/RING	Y00R3981	32	30F	1F06
714689-21760	CRANKSHAFT ASSY. (DP	Y00R3981	32	15	1F06	714970-51700	PUMP ASSY, F.INJECT.	Y00R3981	35	1C	1F11
714689-28510	SHAFT ASSY, BALANCER	Y00R3981	32	53	1F07	714970-61700	GOVERNOR ASSY	Y00R3981	33	14	1F08
714689-92600	GASKET SET	Y00R3981	41	28B	1602	714970-92600	GASKET SET	Y00R3981	41	28C	1602
714770-14580	CAMSHAFT(S) ASSY.	Y00R3981	4	2	1B06	714980-22580	PISTON W/RINGS .500S	Y00R3981	32	38C	1F06
714770-22500	RING SET, PISTON	Y00R3981	5	3B	1B07	714980-22620	PISTON W/RING(OSO.25	Y00R3981	32	34C	1F06
714770-22540	RING SET O.S=0.25	Y00R3981	5	7B	1B07	714980-22720	PISTON W/RINGS	Y00R3981	32	30C	1F06
714770-22550	RING SET O.S=0.50	Y00R3981	5	11B	1B07	783250-51740	PUMP ASSY, F.INJECT.	Y00R3981	9	1	1B12
714770-22580	PISTON W/RING(OS=0.5	Y00R3981	5	9D	1B07	783350-51740	PUMP ASSY, F.INJECT.	Y00R3981	23	1	1D11
714770-22620	PISTON W/RING(OS=-.25	Y00R3981	5	5D	1B07	783550-51740	PUMP ASSY, F.INJECT.	Y00R3981	36	1A	1F12
714770-22720	PISTON W/RINGS	Y00R3981	5	1D	1B07	783650-51740	PUMP ASSY, F.INJECT.	Y00R3981	36	1B	1F12
714770-28510	SHAFT ASSY, BALANCER	Y00R3981	4	28	1B06	783986-51740	PUMP ASSY, F.INJECT.	Y00R3981	36	1C	1F12
714770-51700	PUMP ASSY, F.INJECT.	Y00R3981	8	2	1B11						
714770-51740	PUMP ASSY, F.INJECT.	Y00R3981	9	2	1B12						
714770-61700	GOVERNOR ASSY	Y00R3981	20	14	1B08						
714770-92600	GASKET SET	Y00R3981	14	30B	1602						
714771-01560	BLOCK ASSY, CYLINDER	Y00R3981	1	36B	1B03						
714780-14580	CAMSHAFT(D) ASSY.	Y00R3981	4	1	1B06						
714780-22580	PISTON W/RINGS(OS.5	Y00R3981	5	9B	1B07						
714780-22620	PISTON W/RINGS(OS.25	Y00R3981	5	5B	1B07						
714780-22720	PISTON W/RINGS	Y00R3981	5	1B	1B07						
714870-14580	CAMSHAFT(S) ASSY.	Y00R3981	18	2	1D06						
714870-22500	RING SET, PISTON	Y00R3981	19	3B	1D07						
714870-22540	RING SET (O.S. 0.25	Y00R3981	19	7B	1D07						
714870-22550	RING SET (O.S. 0.50	Y00R3981	19	11B	1D07						
714870-22580	PISTON W/RING(OSO.50	Y00R3981	19	9D	1D07						
714870-22620	PISTON W/RING(OSO.25	Y00R3981	19	5D	1D07						
714870-22720	PISTON W/RINGS	Y00R3981	19	1D	1D07						
714870-28510	SHAFT ASSY, BALANCER	Y00R3981	18	28	1D06						
714870-51700	FUEL INJECTION PUMP	Y00R3981	22	1B	1D10						
714870-51740	PUMP ASSY, F.INJECT.	Y00R3981	23	2	1D11						
714870-53100	VALVE ASSY, F.INJECT	Y00R3981	22	19-1	1D10						
			23	19-1	1D11						
714870-76820	RECOIL STARTER(S)ASY	Y00R3981	21	14B	1D09						
714870-76821	RECOIL STARRER(S)ASY	Y00R3981	21	16A-1	1D09						
714870-76830	RECOIL STARRER(S)ASY	Y00R3981	21	16A	1D09						
714870-76831	CASE (S) W/LABEL	Y00R3981	21	19	1D09						
714870-92600	GASKET SET	Y00R3981	28	30B	1E01						
714871-01560	BLOCK ASSY, CYLINDER	Y00R3981	15	36B	1D03						
714880-14580	CAMSHAFT(D) ASSY.	Y00R3981	18	1	1D06						
714880-22580	PISTON W/RINGS(OS.5	Y00R3981	19	9B	1D07						
714880-22620	PISTON W/RINGS(OS.25	Y00R3981	19	5B	1D07						
714880-22720	PISTON W/RINGS	Y00R3981	19	1B	1D07						
714880-76820	RECOIL STARTER(D)ASY	Y00R3981	21	14A	1D09						
714880-76821	RECOIL STARTER(D)ASY	Y00R3981	21	15A-1	1D09						
714880-76830	RECOIL STARTER(D)ASY	Y00R3981	21	15A	1D09						
714880-76831	CASE (D) W/LABEL	Y00R3981	21	18	1D09						
714970-01560	BLOCK ASSY, CYLINDER	Y00R3981	29	1C	1E03						

TOTAL (ITEM= 712) (REF.= 1,583)

